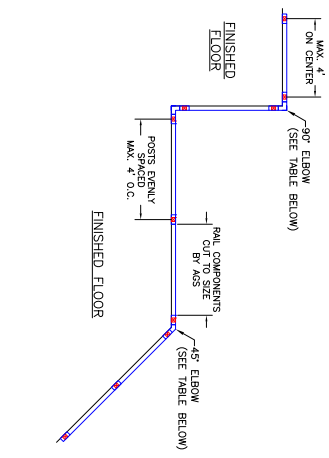
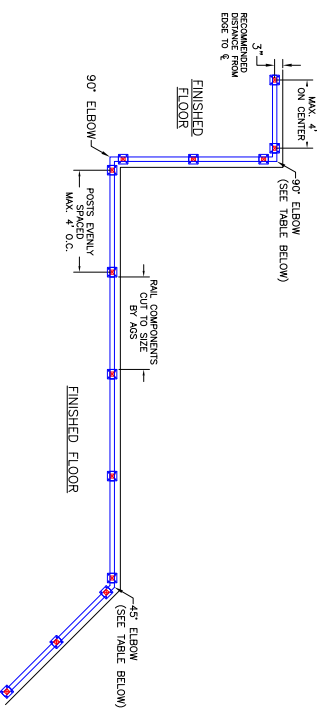


EXAMPLE SIDE MOUNT 36" SYSTEM  
MODIFIED FOR GLASS PANELS  
**PLAN VIEW**



EXAMPLE TOP MOUNT 36" SYSTEM  
MODIFIED FOR GLASS PANELS  
**PLAN VIEW**



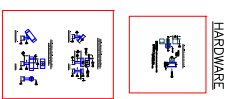
**CORNERS ARE TYPICALLY A RECOMMENDED STARTING POINT FOR INSTALLATION. USE TABLE BELOW FOR ANGLES 90° AND 45°. DETAILS FOR ANY OTHER ANGLE AVAILABLE BY REQUEST.**

**SIDE MOUNT CORNER CONDITIONS**

	ROUND TOP RAIL	FLAT TOP RAIL	WOOD TOP RAIL
90° OUTSIDE CORNER			
90° INSIDE CORNER			
45° OUTSIDE CORNER			

**TOP MOUNT CORNER CONDITIONS**

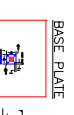
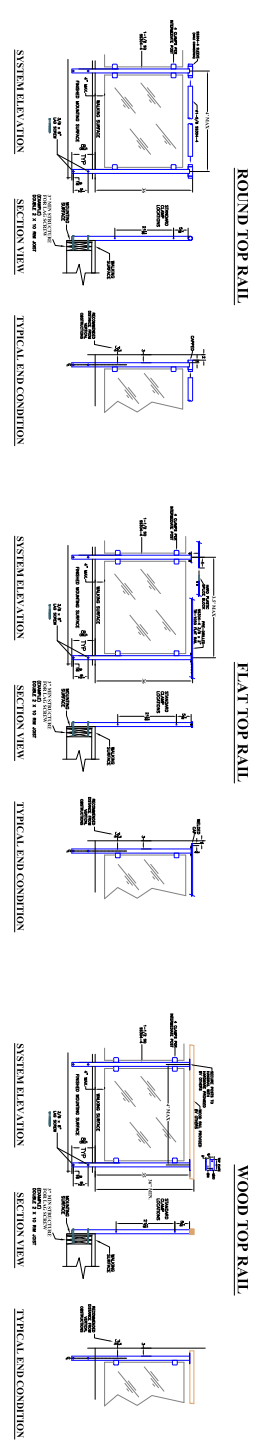
	ROUND TOP RAIL	FLAT TOP RAIL	WOOD TOP RAIL
90° INSIDE CORNER			
90° OUTSIDE CORNER			
45° INSIDE CORNER			



**AGS STAINLESS, INC. CLEARVIEW® RAILING SYSTEMS CAN BE MODIFIED TO ACCEPT GLASS PANELS**  
CONTACT AGS FOR ADDITIONAL CUSTOMIZATION OPTIONS  
888-842-9492 OR [info@agsstainless.com](mailto:info@agsstainless.com)

GLASS PROVIDED BY OTHERS;  
AGS RECOMMENDS USING 1/4" OR 3/8" TEMPERED PANELS W/ POLISHED EDGES

**SIDE MOUNT RECOMMENDED INSTALLATION**



**TOP MOUNT RECOMMENDED INSTALLATION**

