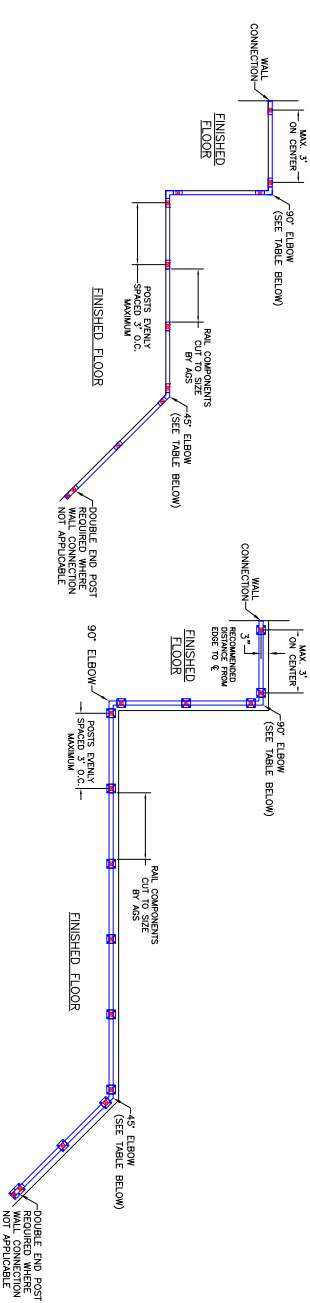
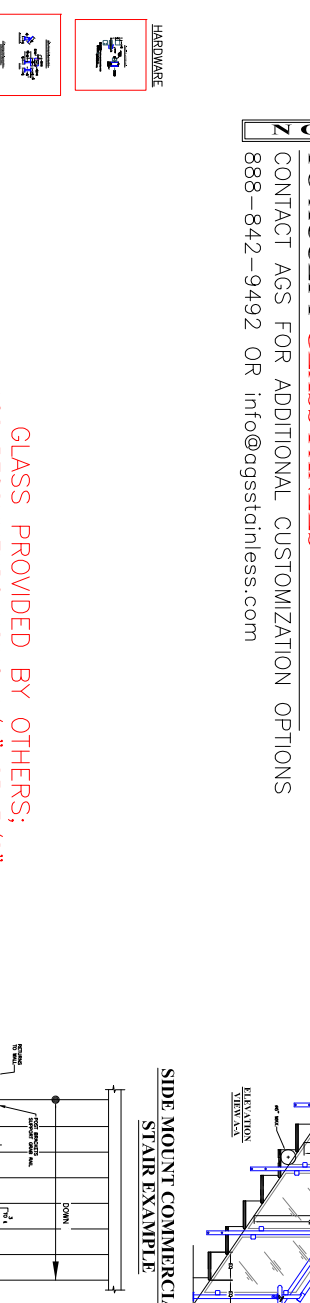


EXAMPLE SIDE MOUNT 42" SYSTEM  
MODIFIED FOR GLASS PANELS  
PLAN VIEW



EXAMPLE TOP MOUNT 42" SYSTEM  
MODIFIED FOR GLASS PANELS  
PLAN VIEW



**CORNERS ARE TYPICALLY A RECOMMENDED STARTING POINT FOR INSTALLATION. USE TABLE BELOW FOR ANGLES 90° AND 45°. DETAILS FOR ANY OTHER ANGLE AVAILABLE BY REQUEST.**

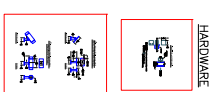
**SIDE MOUNT CORNER CONDITIONS**

	ROUND TOP RAIL	FLAT TOP RAIL	WOOD TOP RAIL
90° OUTSIDE CORNER			
90° INSIDE CORNER			
45° OUTSIDE CORNER			

**TOP MOUNT CORNER CONDITIONS**

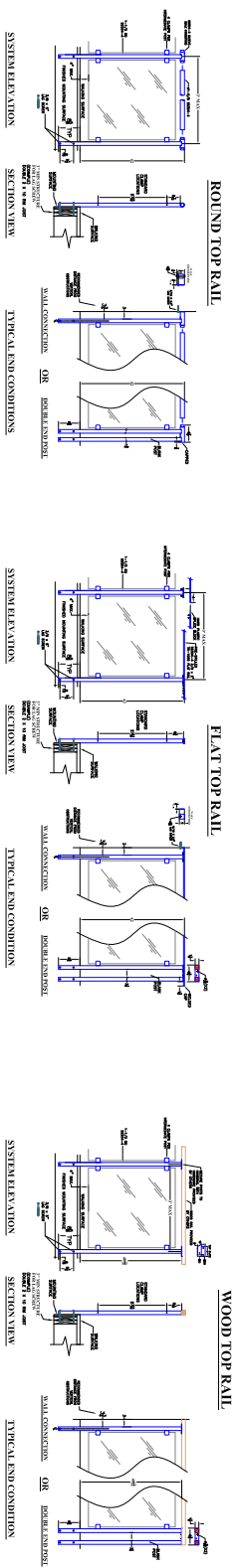
	ROUND TOP RAIL	FLAT TOP RAIL	WOOD TOP RAIL
90° INSIDE CORNER			
90° OUTSIDE CORNER			
45° INSIDE CORNER			

**ALL AGS STAINLESS, INC. CLEARVIEW® RAILING SYSTEMS CAN BE MODIFIED TO ACCEPT GLASS PANELS**  
CONTACT AGS FOR ADDITIONAL CUSTOMIZATION OPTIONS  
888-842-9492 OR [info@agsstainless.com](mailto:info@agsstainless.com)

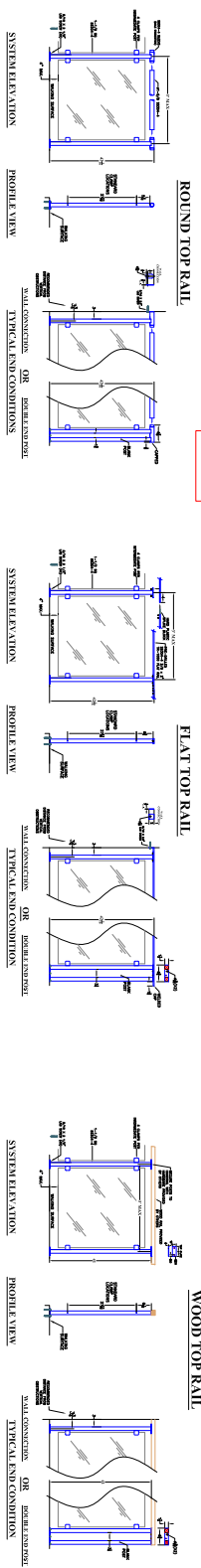


**GLASS PROVIDED BY OTHERS; AGS RECOMMENDS USING 1/4" OR 3/8" TEMPERED PANELS W/ POLISHED EDGES**

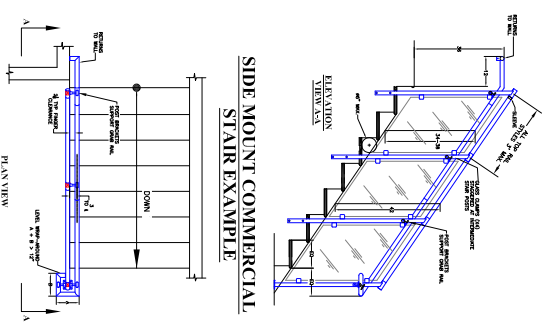
**SIDE MOUNT RECOMMENDED INSTALLATION**



**TOP MOUNT RECOMMENDED INSTALLATION**



**SIDE MOUNT COMMERCIAL STAIR EXAMPLE**



**SIDE MOUNT RESIDENTIAL STAIR EXAMPLE**

