

1 EXAMPLE POST LAYOUT
PLAN VIEW

NOTES:

1. TOP RAIL NOT SHOWN FOR CLARITY.
2. ALL PARTS AND COMPONENTS MADE WITH 316 STAINLESS STEEL UNLESS NOTED OTHERWISE.

LEGEND



□ CORE MOUNT POST

□ □ CORE MOUNT DOUBLE POST

ϕ CENTERLINE

F.F. FINISHED FLOOR

TYP TYPICAL CONDITION APPLIES
ELSEWHERE AT SIMILAR CONDITIONS

DWS*	GLACIER CM42FC	DATE	2024
	SCALE	NONE	SHEET
	DESIGNER	AGS	1 OF 4

GLACIER SPECIFICATION DRAWING
** COMMERCIAL **

42" CORE MOUNT - FLAT TOP

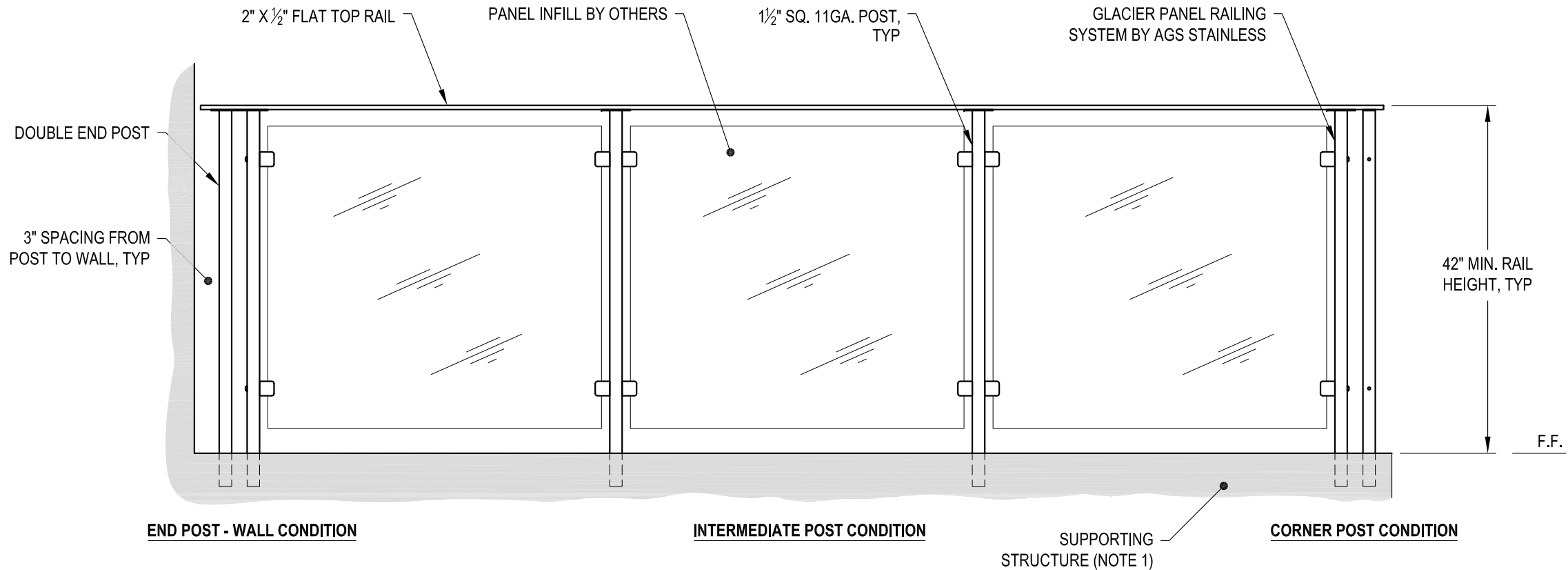
7873 MEADY ROAD
BAMBRIDGE ISLAND, WA 98110

PHONE - (888) 842-9492
FAX - (206) 842-8179
WWW.AGSSTAINLESS.COM



NOTES:

1. DECK STRUCTURE CAN VARY GREATLY. IT IS THE RESPONSIBILITY OF THE CUSTOMER TO VERIFY THAT THE SUPPORTING STRUCTURE IS ADEQUATE TO MEET THE LOAD REQUIREMENTS OF THE GOVERNING BUILDING CODE(S). *AGS Stainless Inc.* RECOMMENDS CONSULTING A DESIGN OR CONSTRUCTION PROFESSIONAL TO ADDRESS THESE ISSUES.



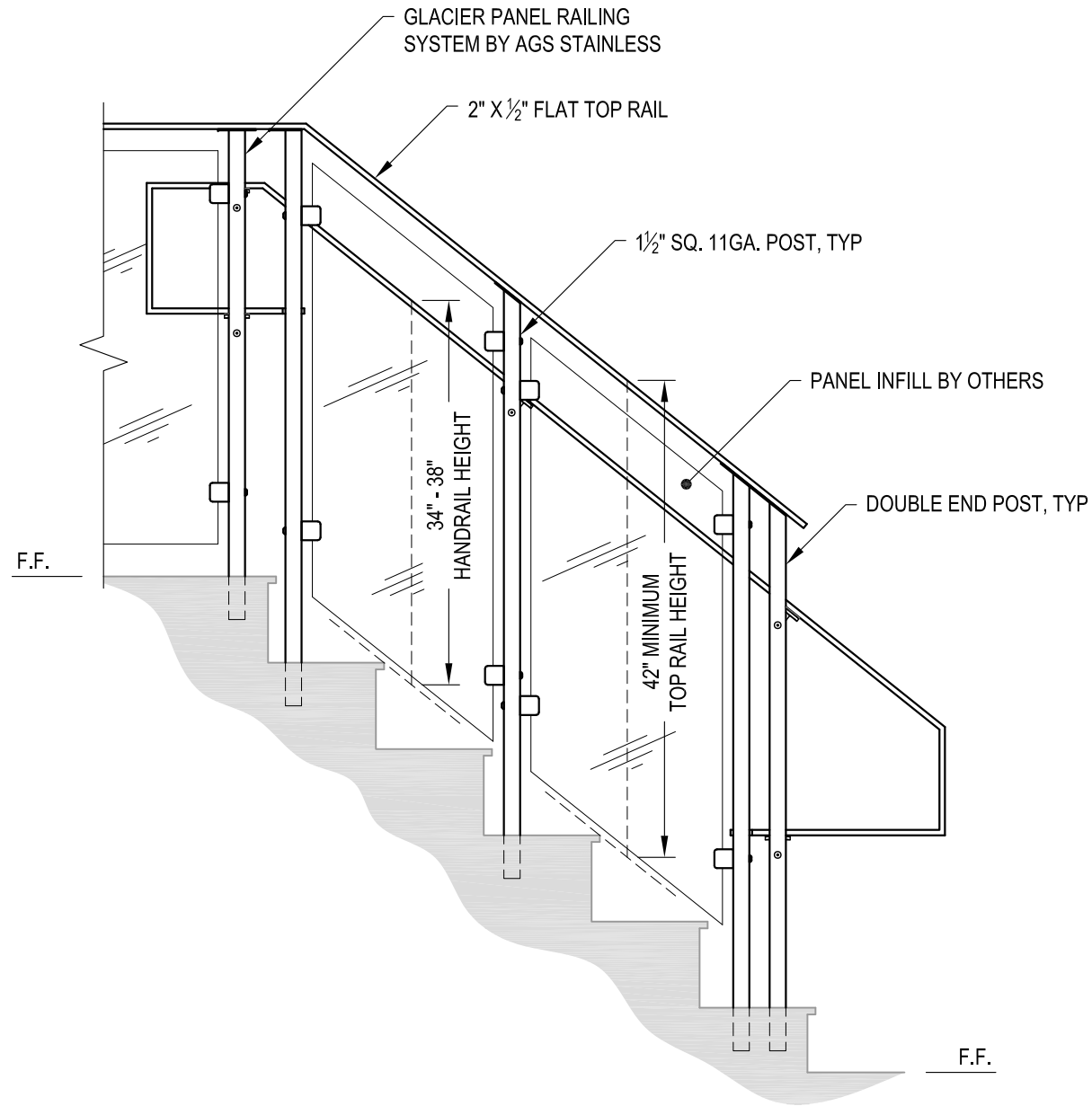
A TYPICAL RAILING CONDITION ELEVATION

OWNER	GLACIER CM42FC
SCALE	NONE
DATE	2024
DESIGNER	AGS
SHEET	2 OF 4

GLACIER SPECIFICATION DRAWING
 ** COMMERCIAL **
 42" CORE MOUNT - FLAT TOP

7873 MEADY ROAD
 BARNBRIDGE ISLAND, WA 98110
 PHONE - (888) 842-9492
 FAX - (206) 842-8179
 WWW.AGSSTAINLESS.COM





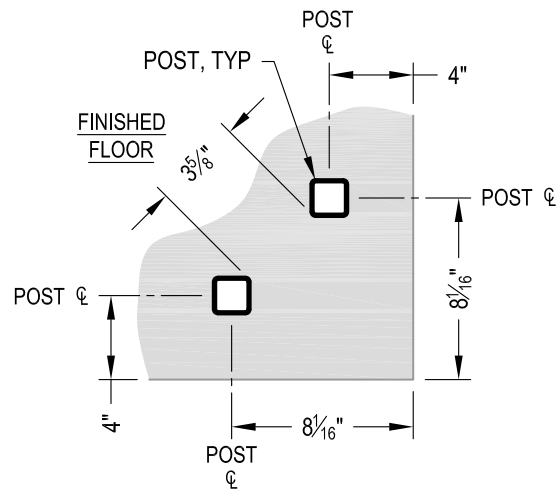
A STAIR
ELEVATION

NOTES:

1. STAIR CONSTRUCTION VARIES GREATLY. AS-BUILT CONDITIONS MAY ALTER RAILING DESIGN, INCLUDING POST LOCATION & MOUNTING, INFILL SPACING & TOP RAIL LAYOUT.

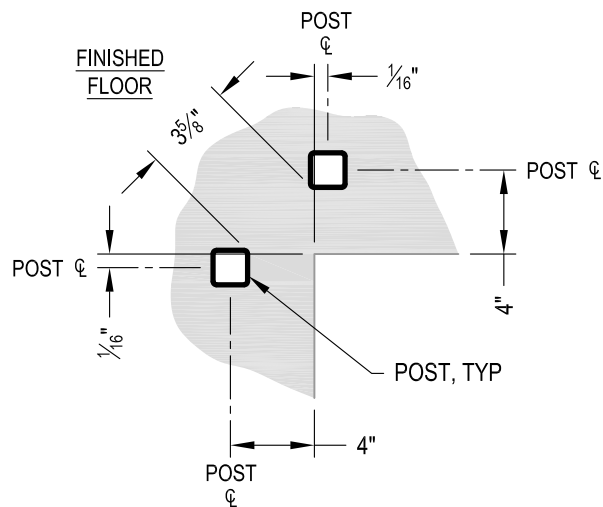
AGS Stainless Clearview® Railing Systems are designed to meet the requirements of the latest edition of the IRC/IBC.

7873 MEADY ROAD BAINBRIDGE ISLAND, WA 98110 PHONE - (888) 842-9492 FAX - (206) 842-8179 WWW.AGSSTAINLESS.COM	DWG# GLACIER CIM2FC
	DATE 2024
AGS STAINLESS CLEARVIEW® RAILING SYSTEMS	SCALE NONE
	DESIGNER AGS
GLACIER SPECIFICATION DRAWING	
** COMMERCIAL **	
42" CORE MOUNT - FLAT TOP	
SHEET 3 OF 4	



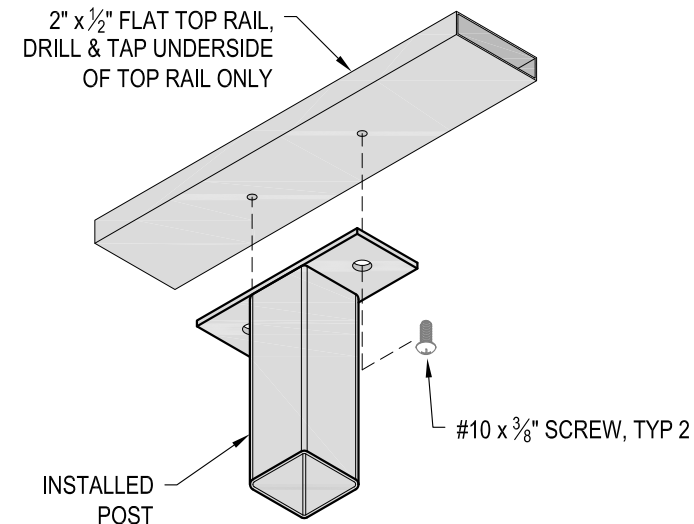
NOTE: 90° SHOWN, OTHER ANGLES SIMILAR

A TYPICAL 90° CORE MOUNT OUTSIDE CORNER DETAIL

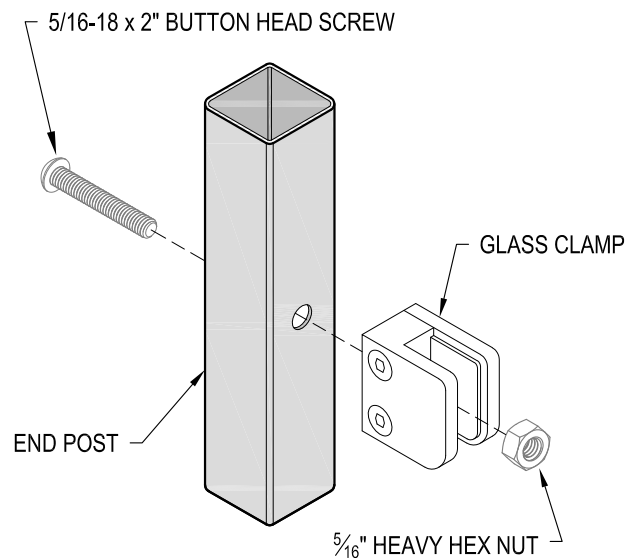


NOTE: 90° SHOWN, OTHER ANGLES SIMILAR

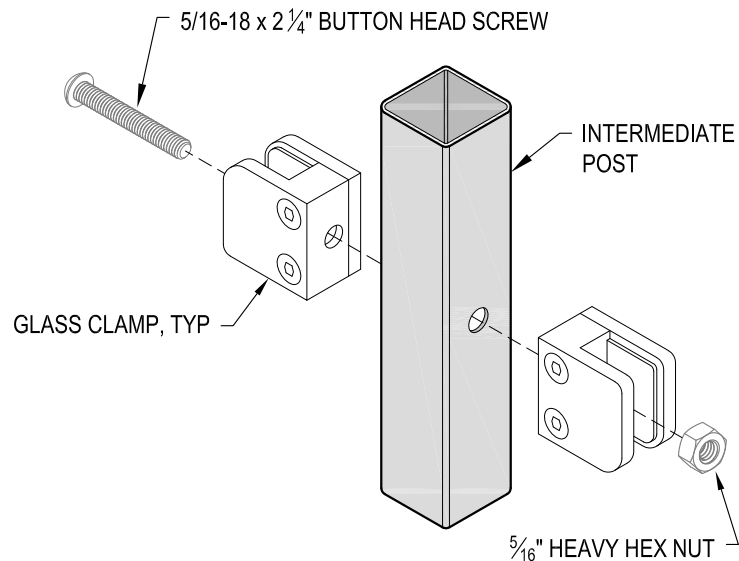
B TYPICAL 90° CORE MOUNT INSIDE CORNER DETAIL



C TOP RAIL INSTALLATION - FLAT DETAIL



D END POST GLASS CLAMP INSTALLATION DETAIL



E INTERMEDIATE POST GLASS CLAMP INSTALLATION DETAIL

AGS Stainless Clearview® Railing Systems are designed to meet the requirements of the latest edition of the IRC/IBC.

DWS+ GLACIER C/M2FC	SCALE NONE	DATE 2024	SHEET 4 OF 4
	DESIGNER AGS		
GLACIER SPECIFICATION DRAWING ** COMMERCIAL **			
42" CORE MOUNT - FLAT TOP			
7873 MEADY ROAD BAINBRIDGE ISLAND, WA 98110 PHONE - (888) 842-9492 FAX - (206) 842-8779 WWW.AGSSTAINLESS.COM			