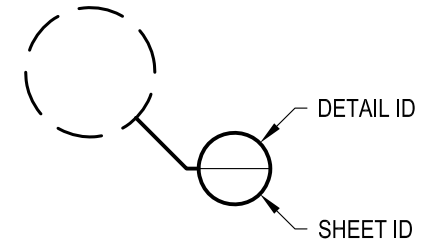


1 EXAMPLE POST LAYOUT
PLAN VIEW

NOTES:

1. TOP RAIL NOT SHOWN FOR CLARITY.
2. ALL PARTS AND COMPONENTS MADE WITH 316 STAINLESS STEEL UNLESS NOTED OTHERWISE.

LEGEND



□ SIDE MOUNT POST

□ □ SIDE MOUNT DOUBLE POST

⊕ CENTERLINE

F.F. FINISHED FLOOR

TYP TYPICAL CONDITION APPLIES
ELSEWHERE AT SIMILAR CONDITIONS

DWG#	GLACIER SM42FC	DATE	2024
	SCALE		NONE
DESIGNER	AGS	SHEET	1 OF 4

GLACIER SPECIFICATION DRAWING
** COMMERCIAL **

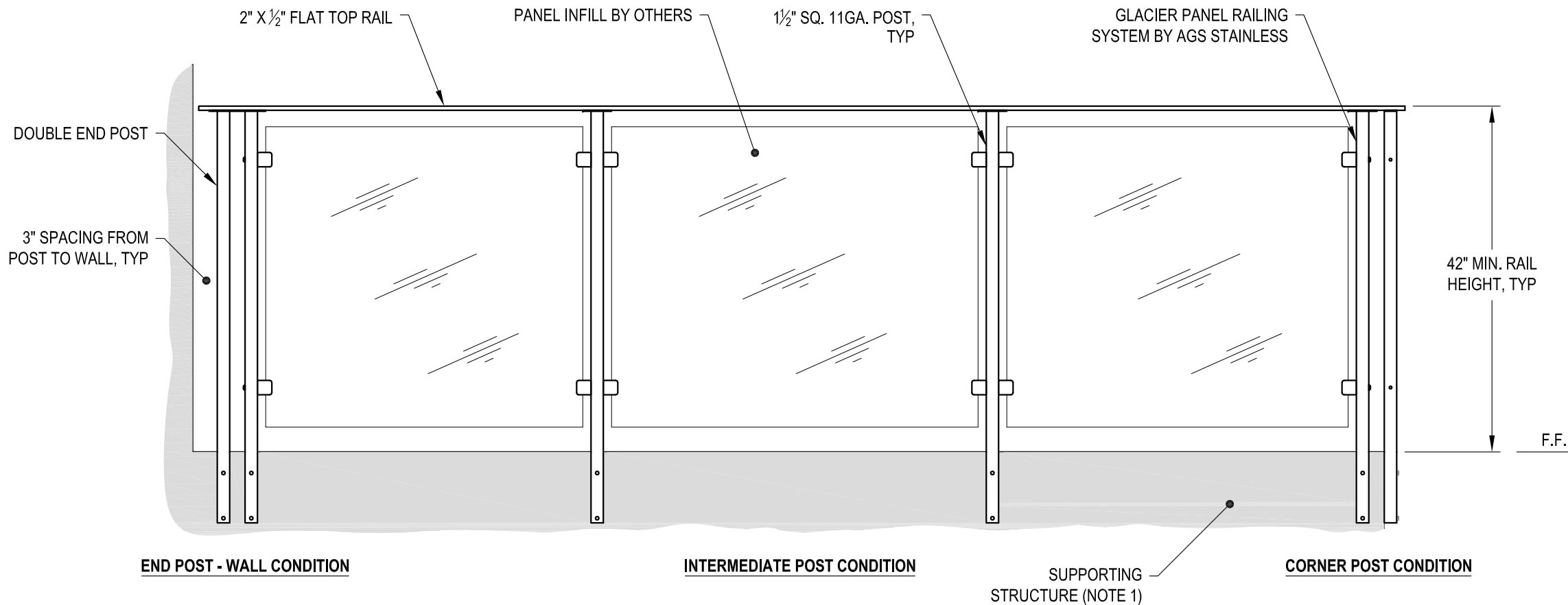
42" SIDE MOUNT - FLAT TOP

7873 NE DAY ROAD
BAMBRIDGE ISLAND, WA 98110
PHONE - (888) 842-9492
FAX - (206) 842-8779
WWW.AGSSTAINLESS.COM



NOTES:

1. DECK STRUCTURE CAN VARY GREATLY. IT IS THE RESPONSIBILITY OF THE CUSTOMER TO VERIFY THAT THE SUPPORTING STRUCTURE IS ADEQUATE TO MEET THE LOAD REQUIREMENTS OF THE GOVERNING BUILDING CODE(S). *AGS Stainless Inc.* RECOMMENDS CONSULTING A DESIGN OR CONSTRUCTION PROFESSIONAL TO ADDRESS THESE ISSUES.




END POST - WALL CONDITION

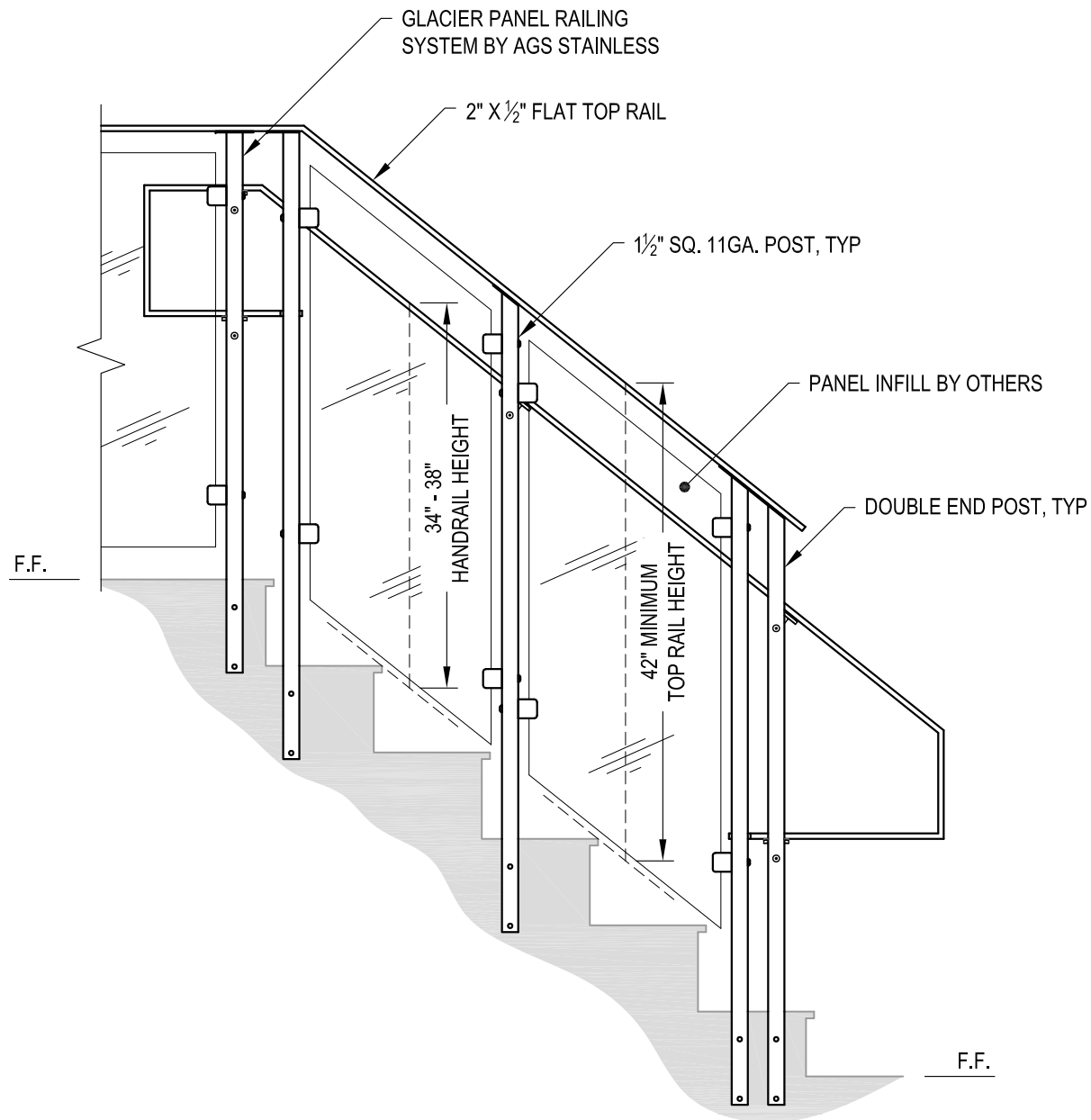
INTERMEDIATE POST CONDITION

SUPPORTING STRUCTURE (NOTE 1)

CORNER POST CONDITION

A TYPICAL RAILING CONDITION ELEVATION

DWS+ GLACIER SSM2FC	SCALE NONE	DATE 2024	SHEET 2 OF 4
	DESIGNER AGS		
GLACIER SPECIFICATION DRAWING ** COMMERCIAL **			
42" SIDE MOUNT - FLAT TOP			
7873 NE DAY ROAD BAINBRIDGE ISLAND, WA 98110 PHONE - (888) 842-9492 FAX - (206) 842-8779 WWW.AGSSTAINLESS.COM			
			



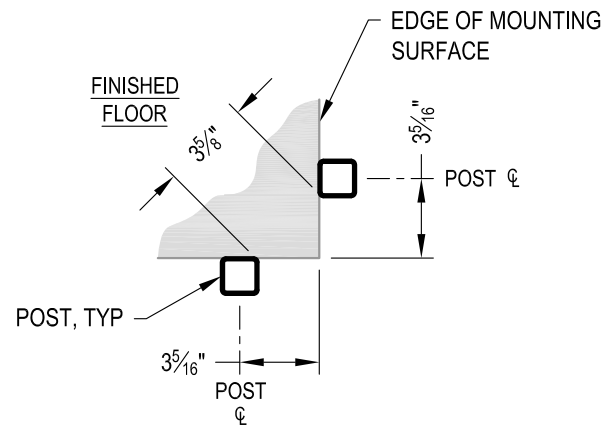
A STAIR
ELEVATION

AGS Stainless Clearview® Railing Systems are designed to meet the requirements of the latest edition of the IRC/IBC.

NOTES:

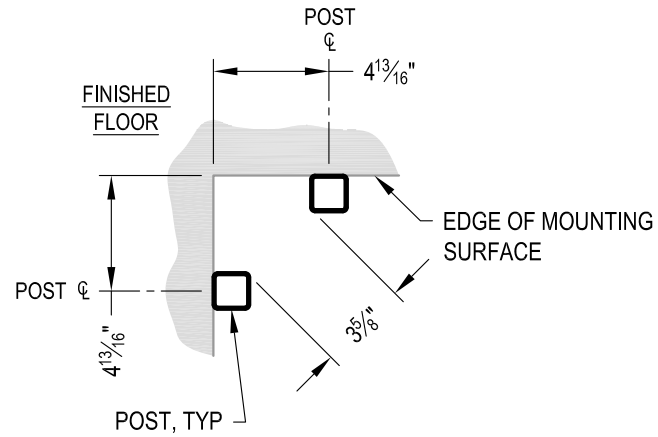
1. STAIR CONSTRUCTION VARIES GREATLY. AS-BUILT CONDITIONS MAY ALTER RAILING DESIGN, INCLUDING POST LOCATION & MOUNTING, INFILL SPACING & TOP RAIL LAYOUT.

DWS+ GLACIER SSM42FC	SCALE NONE	DATE 2024	SHEET 3 OF 4
	DESIGNER AGS		
GLACIER SPECIFICATION DRAWING ** COMMERCIAL **			
42" SIDE MOUNT - FLAT TOP			
7873 MEADY ROAD BAINBRIDGE ISLAND, WA 98110 PHONE - (888) 842-9492 FAX - (206) 842-8179 WWW.AGSSTAINLESS.COM			
			



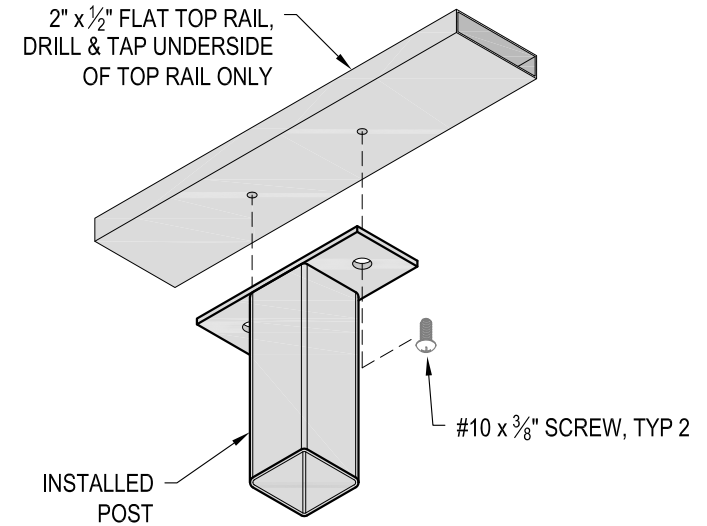
NOTE: 90° SHOWN, OTHER ANGLES SIMILAR

A TYPICAL SIDE MOUNT OUTSIDE CORNER
DETAIL

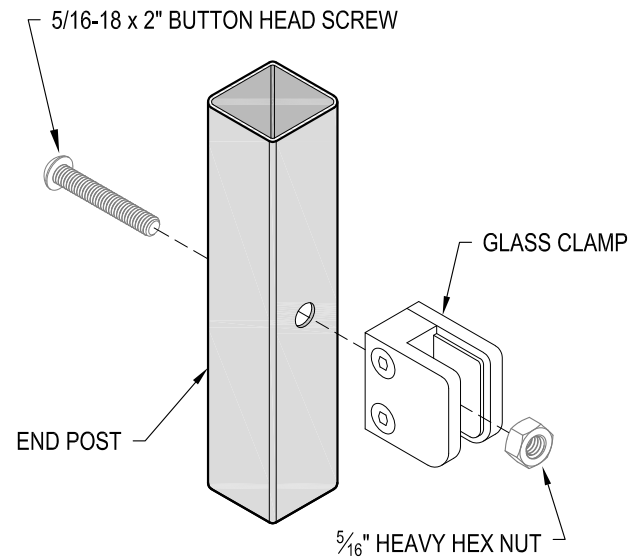


NOTE: 90° SHOWN, OTHER ANGLES SIMILAR

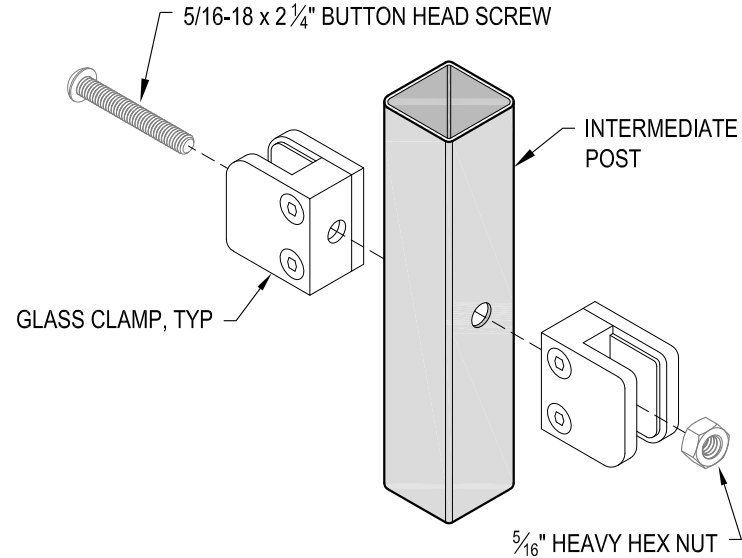
B TYPICAL SIDE MOUNT INSIDE CORNER
DETAIL



C TOP RAIL INSTALLATION - FLAT
DETAIL



D END POST GLASS CLAMP INSTALLATION
DETAIL



E INTERMEDIATE POST GLASS CLAMP INSTALLATION
DETAIL

AGS Stainless Clearview® Railing Systems are designed to meet the requirements of the latest edition of the IRC/IBC.

DATE	2024
SCALE	NONE
DESIGNER	AGS
SHEET	4 OF 4

GLACIER SPECIFICATION DRAWING
** COMMERCIAL **

42" SIDE MOUNT - FLAT TOP

7873 MEYER ROAD
BAMBRIDGE ISLAND, WA 98110
PHONE - (888) 842-9492
FAX - (206) 842-8779
WWW.AGSSTAINLESS.COM

