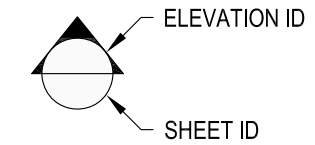
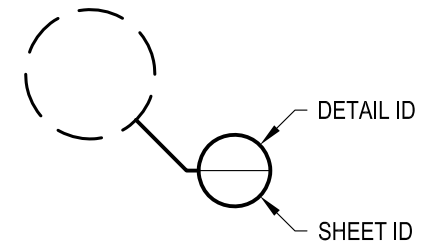


1 EXAMPLE POST LAYOUT  
PLAN VIEW

NOTES:

1. TOP RAIL NOT SHOWN FOR CLARITY.
2. ALL PARTS AND COMPONENTS MADE WITH 316 STAINLESS STEEL UNLESS NOTED OTHERWISE.

LEGEND



□ SIDE MOUNT POST

□ □ SIDE MOUNT DOUBLE POST

$\phi$  CENTERLINE

F.F. FINISHED FLOOR

TYP TYPICAL CONDITION APPLIES ELSEWHERE AT SIMILAR CONDITIONS

OWNER	GLACIER SM42WC
SCALE	NONE
DATE	2024
DESIGNER	AGS
SHEET	1 OF 4

GLACIER SPECIFICATION DRAWING  
\*\* COMMERCIAL \*\*

42" SIDE MOUNT - WOOD TOP

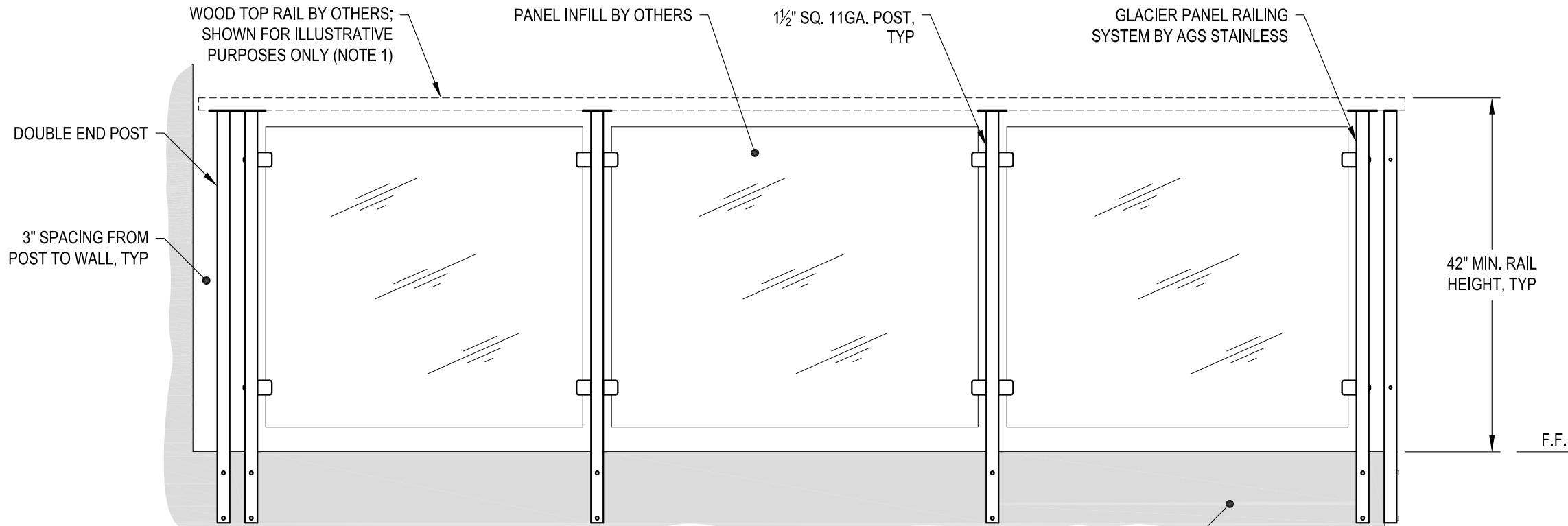
7873 NE DAY ROAD  
BAMBRIDGE ISLAND, WA 98110

PHONE - (888) 842-9492  
FAX - (206) 842-8179  
WWW.AGSSTAINLESS.COM



**NOTES:**

1. TOP RAIL SHOULD BE SELECTED SO THAT ALL GOVERNING CODE REQUIREMENTS ARE SATISFIED. THESE INCLUDE SHAPE, STRENGTH AND RAILING HEIGHT.
2. DECK STRUCTURE CAN VARY GREATLY. IT IS THE RESPONSIBILITY OF THE CUSTOMER TO VERIFY THAT THE SUPPORTING STRUCTURE IS ADEQUATE TO MEET THE LOAD REQUIREMENTS OF THE GOVERNING BUILDING CODE(S). AGS Stainless Inc. RECOMMENDS CONSULTING A DESIGN OR CONSTRUCTION PROFESSIONAL TO ADDRESS THESE ISSUES.



**END POST - WALL CONDITION**

**INTERMEDIATE POST CONDITION**

**SUPPORTING STRUCTURE (NOTE 2)**

**CORNER POST CONDITION**

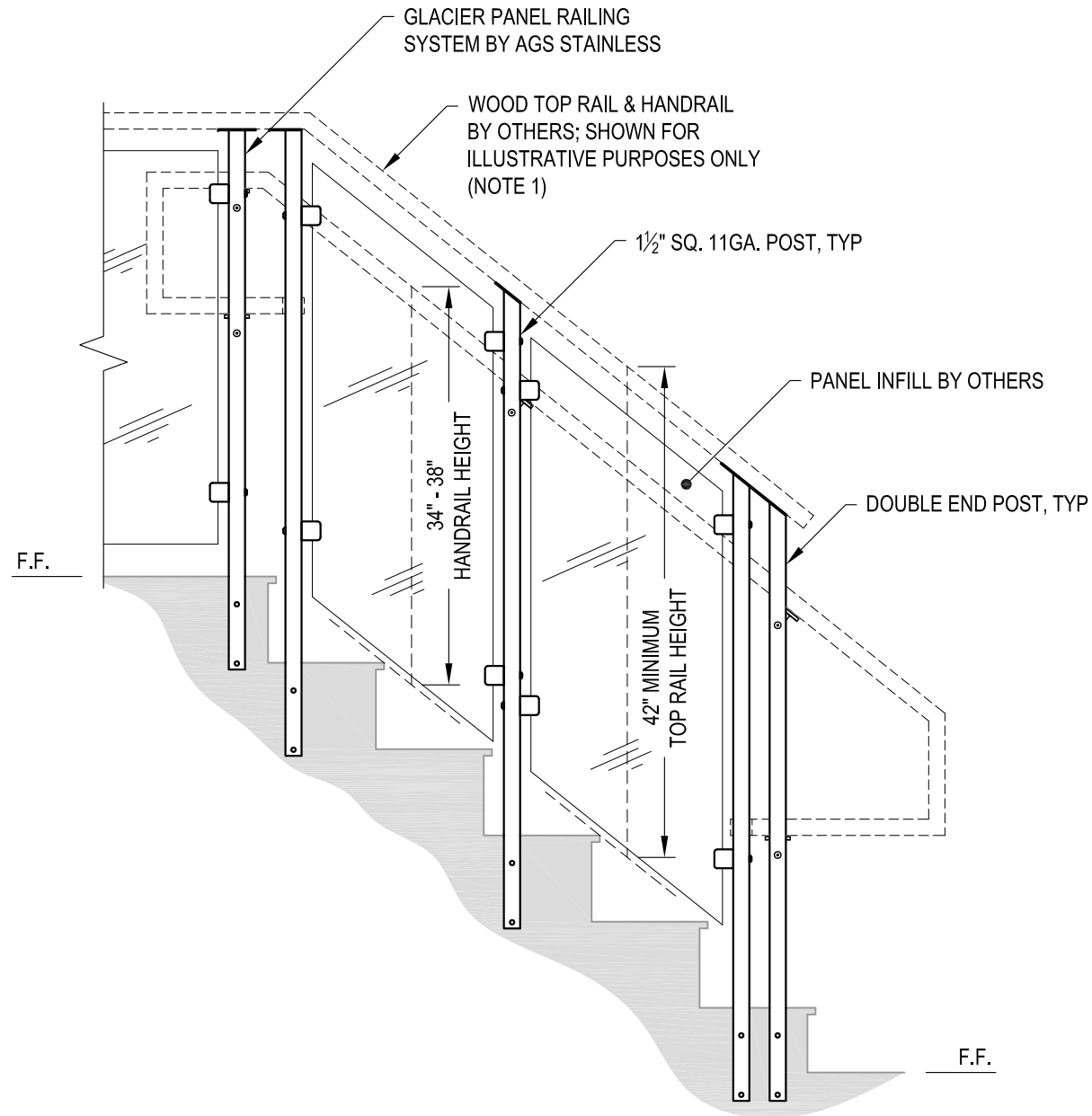
**A TYPICAL RAILING CONDITION ELEVATION**

OWNER	GLACIER SM42WC
SCALE	NONE
DATE	2024
DESIGNER	AGS
SHEET	2 OF 4

GLACIER SPECIFICATION DRAWING  
 \*\* COMMERCIAL \*\*  
 42" SIDE MOUNT - WOOD TOP

7873 NE DAY ROAD  
 BAINBRIDGE ISLAND, WA 98110  
 PHONE - (888) 842-9492  
 FAX - (206) 842-8179  
 WWW.AGSSTAINLESS.COM





**A** STAIR  
ELEVATION

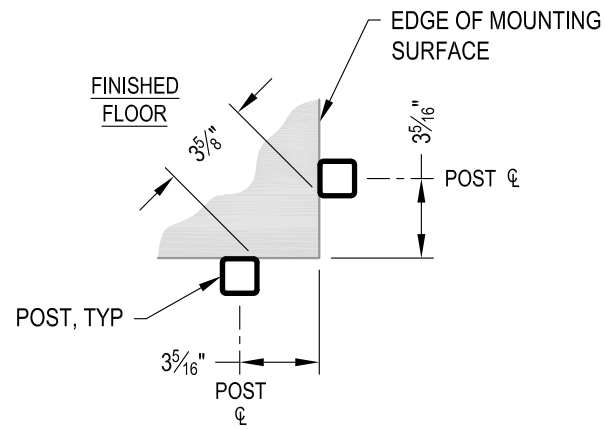
AGS Stainless Clearview® Railing Systems are designed to meet the requirements of the latest edition of the IRC/IBC.

**NOTES:**

1. TOP RAIL & HANDRAIL SHOULD BE SELECTED SO THAT ALL GOVERNING CODE REQUIREMENTS ARE SATISFIED. THESE INCLUDE SHAPE, STRENGTH AND RAILING HEIGHT.
2. STAIR CONSTRUCTION VARIES GREATLY. AS-BUILT CONDITIONS MAY ALTER RAILING DESIGN, INCLUDING POST LOCATION & MOUNTING, INFILL SPACING & TOP RAIL LAYOUT.

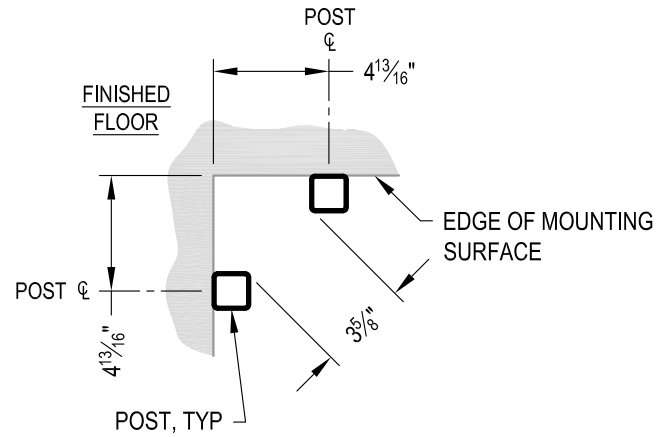
7873 MEADY ROAD BAINBRIDGE ISLAND, WA 98110 PHONE - (888) 842-9492 FAX - (206) 842-8179 WWW.AGSSTAINLESS.COM	DWG# GLACIER SM42WC
	DATE 2024 SCALE NONE DESIGNER AGS
GLACIER SPECIFICATION DRAWING ** COMMERCIAL **	
42" SIDE MOUNT - WOOD TOP	
SHEET 3 OF 4	





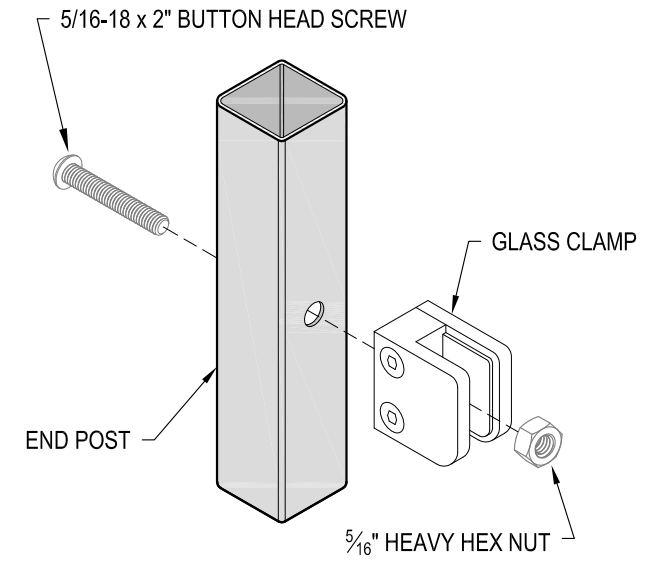
**NOTE: 90° SHOWN, OTHER ANGLES SIMILAR**

**A** TYPICAL SIDE MOUNT OUTSIDE CORNER  
DETAIL

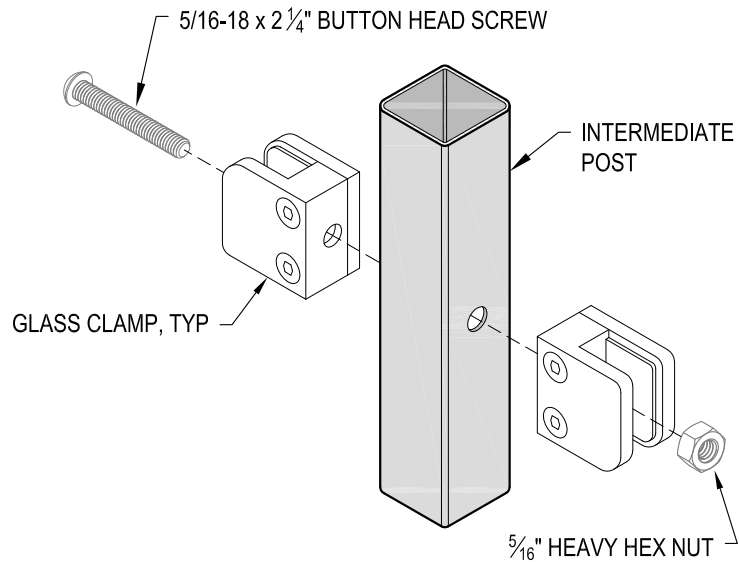


**NOTE: 90° SHOWN, OTHER ANGLES SIMILAR**

**B** TYPICAL SIDE MOUNT INSIDE CORNER  
DETAIL



**C** END POST GLASS CLAMP INSTALLATION  
DETAIL



**D** INTERMEDIATE POST GLASS CLAMP INSTALLATION  
DETAIL

AGS Stainless Clearview® Railing Systems are designed to meet the requirements of the latest edition of the IRC/IBC.