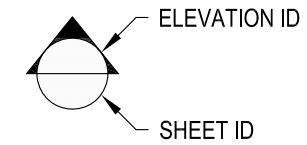
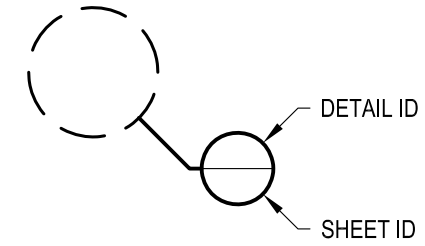


1 EXAMPLE POST LAYOUT
PLAN VIEW

NOTES:

1. TOP RAIL NOT SHOWN FOR CLARITY.
2. ALL PARTS AND COMPONENTS MADE WITH 316 STAINLESS STEEL UNLESS NOTED OTHERWISE.

LEGEND



 CORE MOUNT POST

 CORE MOUNT DOUBLE POST

ϕ CENTERLINE

F.F. FINISHED FLOOR

TYP TYPICAL CONDITION APPLIES ELSEWHERE AT SIMILAR CONDITIONS

OWNER	RAINIER CM42RC
SCALE	NONE
DATE	2024
DESIGNER	AGS
SHEET	1 OF 4

RAINIER SPECIFICATION DRAWING
** COMMERCIAL **

42" CORE MOUNT - ROUND TOP

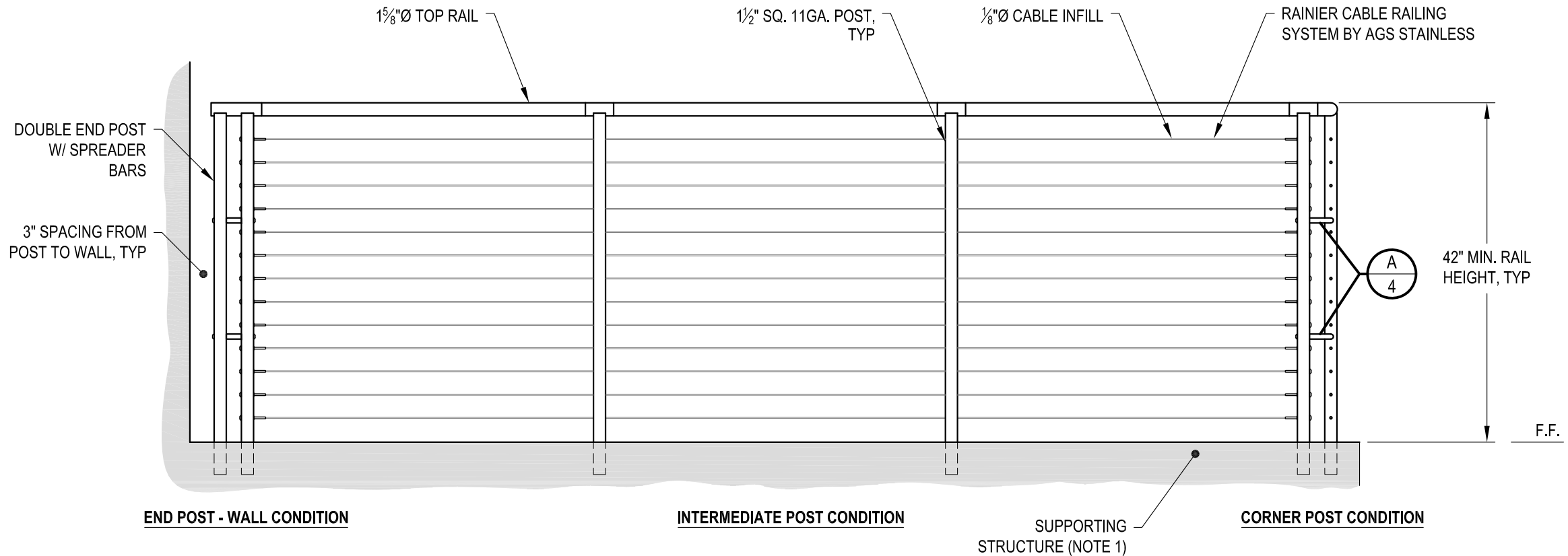
7873 NE DAY ROAD
BAINBRIDGE ISLAND, WA 98110

PHONE - (888) 842-9492
FAX - (206) 842-8179
WWW.AGSSTAINLESS.COM



NOTES:

- DECK STRUCTURE CAN VARY GREATLY. IT IS THE RESPONSIBILITY OF THE CUSTOMER TO VERIFY THAT THE SUPPORTING STRUCTURE IS ADEQUATE TO MEET THE LOAD REQUIREMENTS OF THE GOVERNING BUILDING CODE(S). *AGS Stainless Inc.* RECOMMENDS CONSULTING A DESIGN OR CONSTRUCTION PROFESSIONAL TO ADDRESS THESE ISSUES.



A TYPICAL RAILING CONDITION ELEVATION

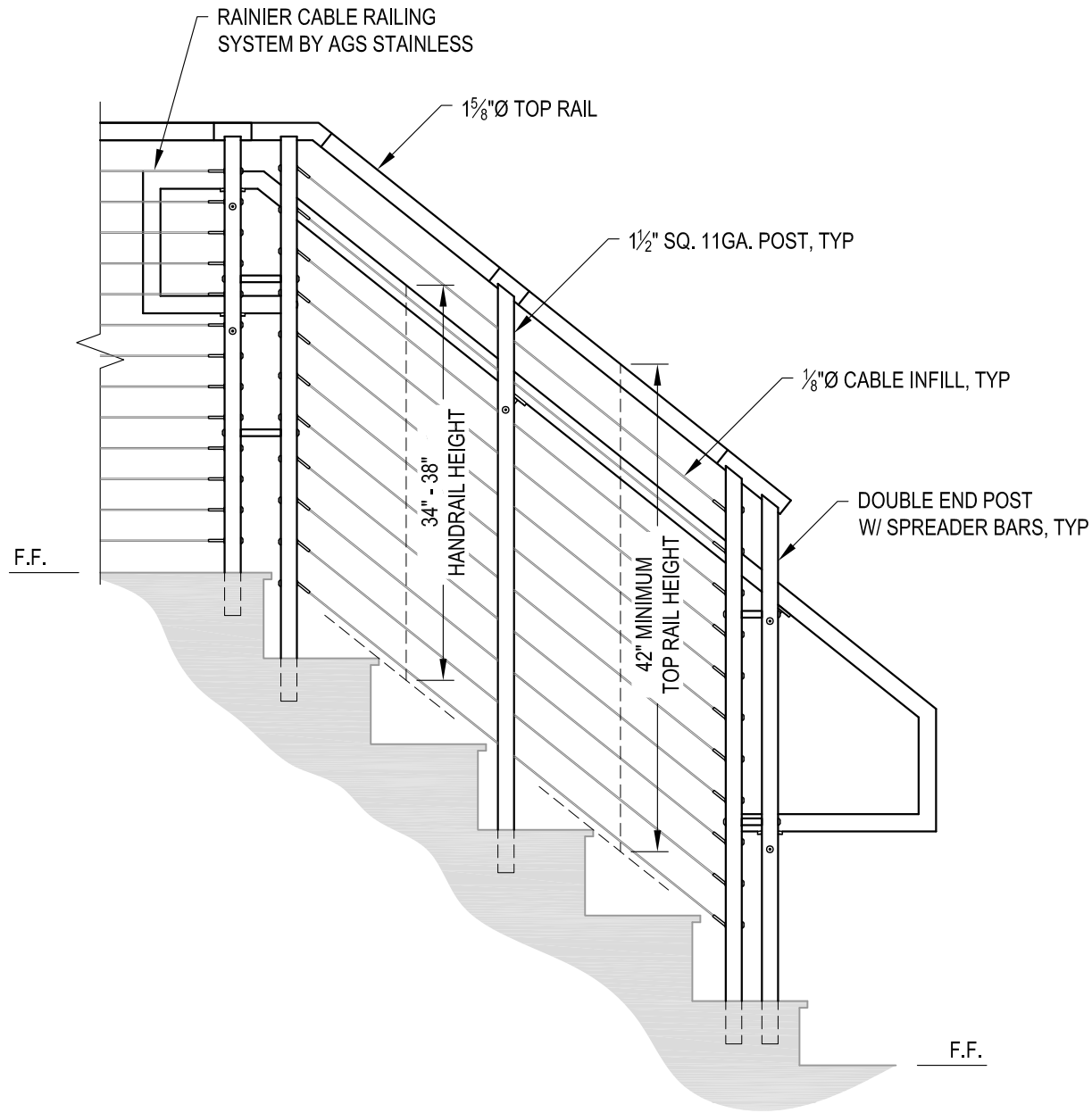
DATE	2024	DESIGNER	AGS	SHEET	2 OF 4
SCALE	NONE				
DWG# RAINIER CM42RC					

RAINIER SPECIFICATION DRAWING
** COMMERCIAL **

42" CORE MOUNT - ROUND TOP

7873 MEADY ROAD
BAMBRIDGE ISLAND, WA 98110
PHONE - (888) 842-9492
FAX - (206) 842-8779
WWW.AGSSTAINLESS.COM





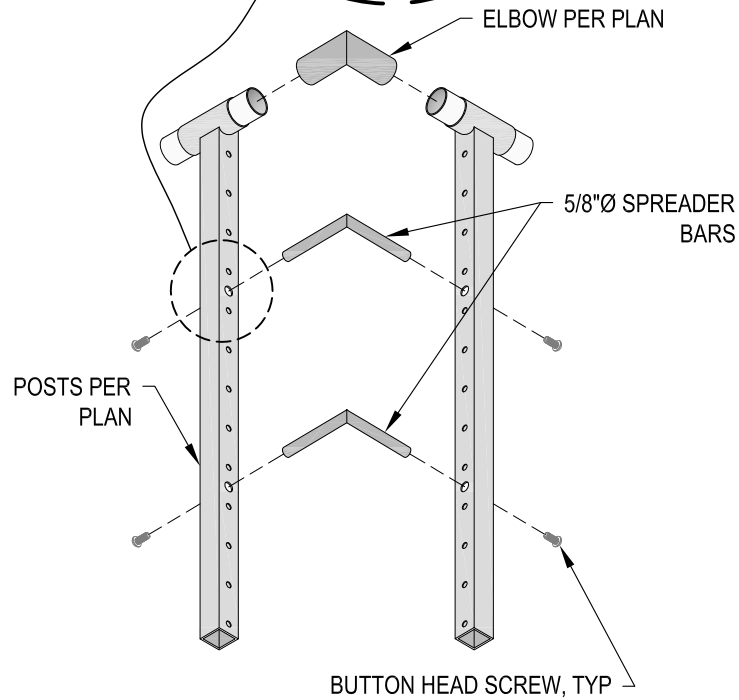
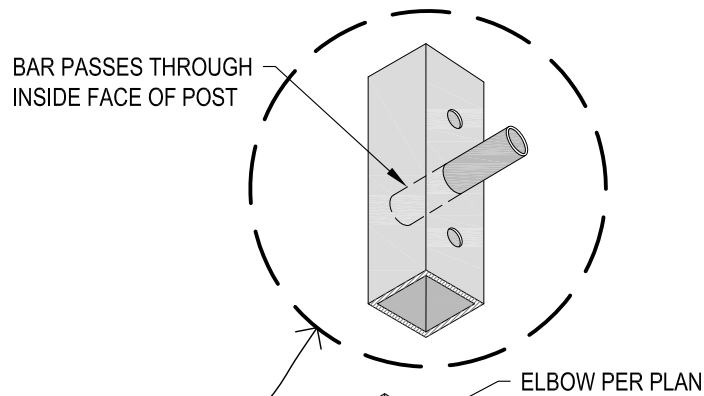
A STAIR
ELEVATION

AGS Stainless Clearview® Railing Systems are designed to meet the requirements of the latest edition of the IRC/IBC.

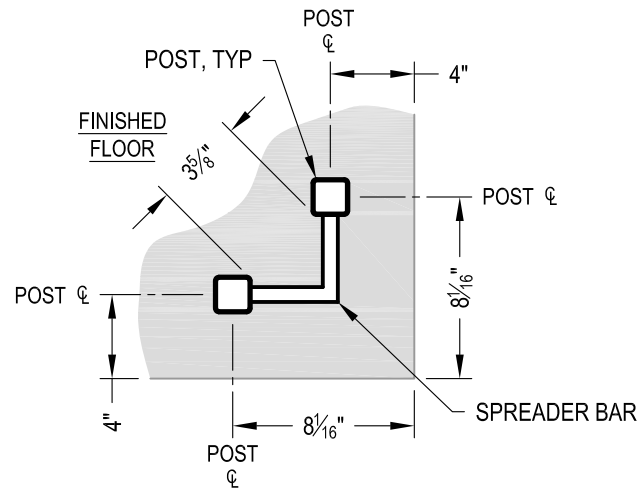
NOTES:

1. STAIR CONSTRUCTION VARIES GREATLY. AS-BUILT CONDITIONS MAY ALTER RAILING DESIGN, INCLUDING POST LOCATION & MOUNTING, INFILL SPACING & TOP RAIL LAYOUT.

RAINIER SPECIFICATION DRAWING ** COMMERCIAL ** 42" CORE MOUNT - ROUND TOP	RAINIER CM42RC	2024	3 OF 4
	AGS	NONE	SHEET
7873 MEADY ROAD BAINBRIDGE ISLAND, WA 98110 PHONE - (888) 842-9492 FAX - (206) 842-8179 WWW.AGSSTAINLESS.COM			

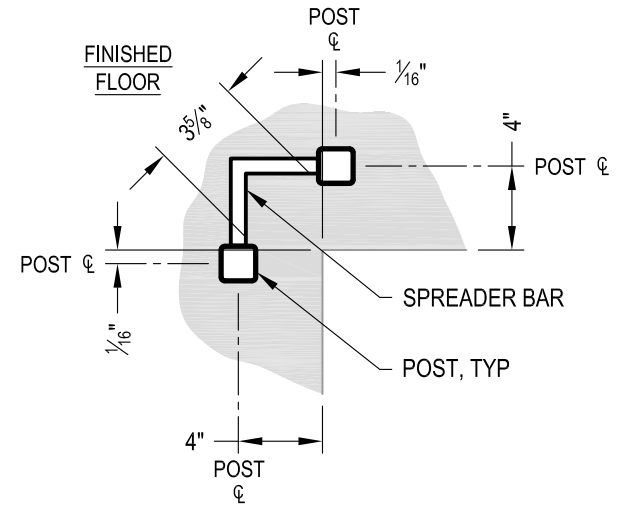


A CORNER POST ASSEMBLY
DETAIL



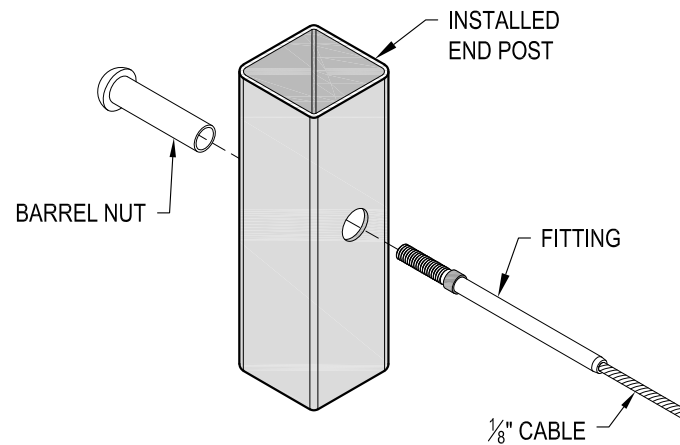
NOTE: 90° SHOWN, OTHER ANGLES SIMILAR

B TYPICAL 90° CORE MOUNT OUTSIDE CORNER
DETAIL

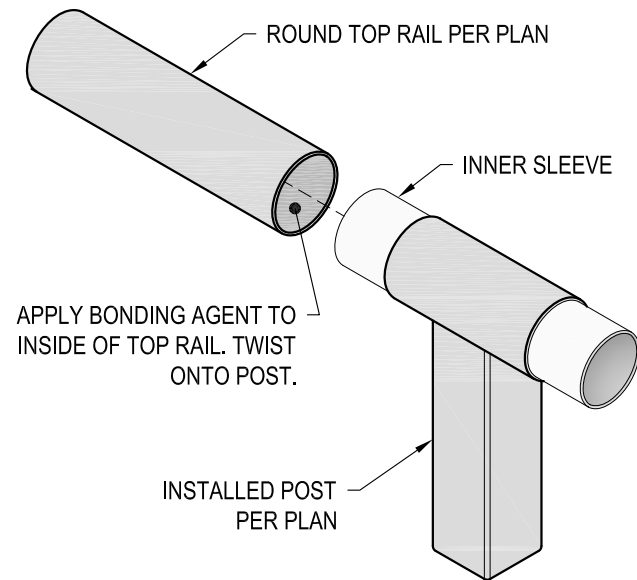


NOTE: 90° SHOWN, OTHER ANGLES SIMILAR

C TYPICAL 90° CORE MOUNT INSIDE CORNER
DETAIL



D FITTING INSTALLATION - BARREL NUT
DETAIL



E TOP RAIL INSTALLATION - ROUND
DETAIL

AGS Stainless Clearview® Railing Systems are designed to meet the requirements of the latest edition of the IRC/IBC.