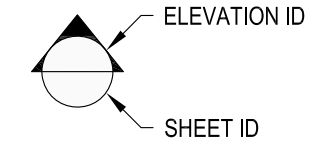
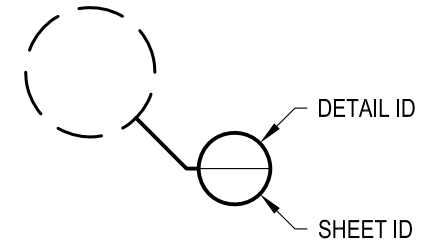


1 EXAMPLE POST LAYOUT
PLAN VIEW

NOTES:

1. TOP RAIL NOT SHOWN FOR CLARITY.
2. ALL PARTS AND COMPONENTS MADE WITH 316 STAINLESS STEEL UNLESS NOTED OTHERWISE.

LEGEND



□ SIDE MOUNT POST

□-□ SIDE MOUNT DOUBLE POST

⊕ CENTERLINE

F.F. FINISHED FLOOR

TYP TYPICAL CONDITION APPLIES
ELSEWHERE AT SIMILAR CONDITIONS

OWNER	RAINIER SM42FC
SCALE	NONE
DATE	2024
DESIGNER	AGS
SHEET	1 OF 4

RAINIER SPECIFICATION DRAWING
** COMMERCIAL **

42" SIDE MOUNT - FLAT TOP

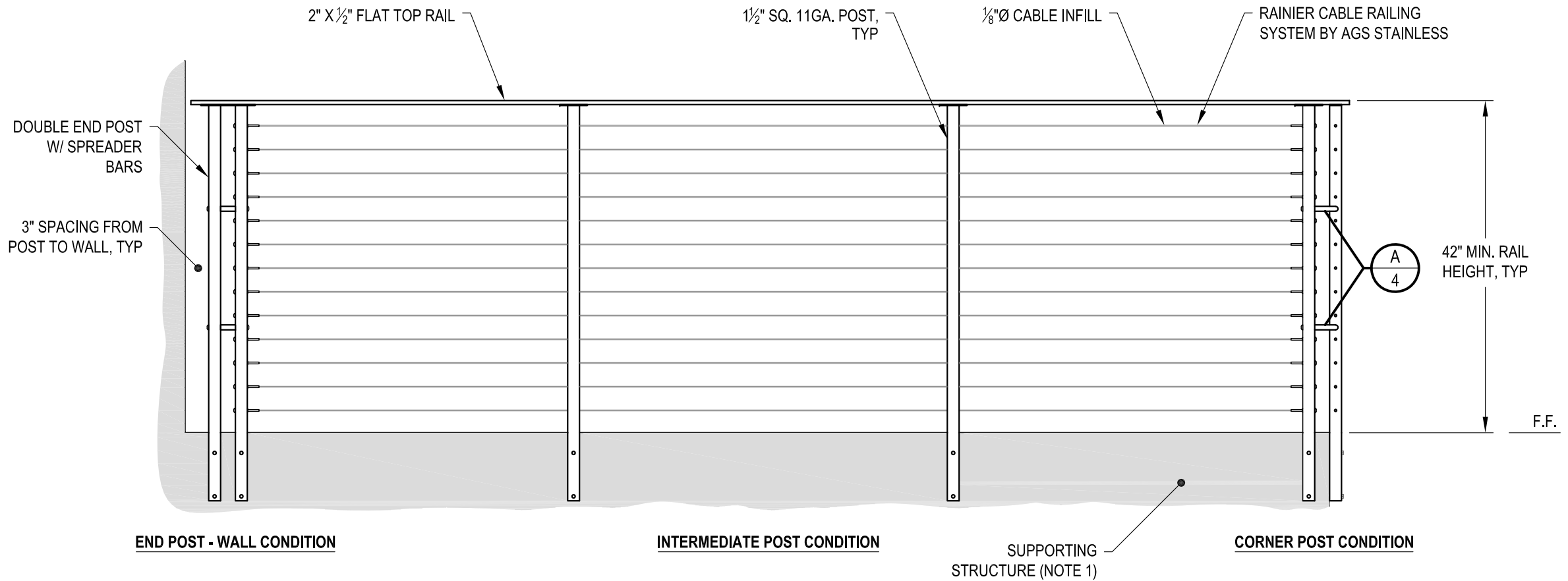
7873 NE DAY ROAD
BAINBRIDGE ISLAND, WA 98110

PHONE - (888) 842-9492
FAX - (206) 842-8779
WWW.AGSSTAINLESS.COM



NOTES:

- DECK STRUCTURE CAN VARY GREATLY. IT IS THE RESPONSIBILITY OF THE CUSTOMER TO VERIFY THAT THE SUPPORTING STRUCTURE IS ADEQUATE TO MEET THE LOAD REQUIREMENTS OF THE GOVERNING BUILDING CODE(S). *AGS Stainless Inc.* RECOMMENDS CONSULTING A DESIGN OR CONSTRUCTION PROFESSIONAL TO ADDRESS THESE ISSUES.



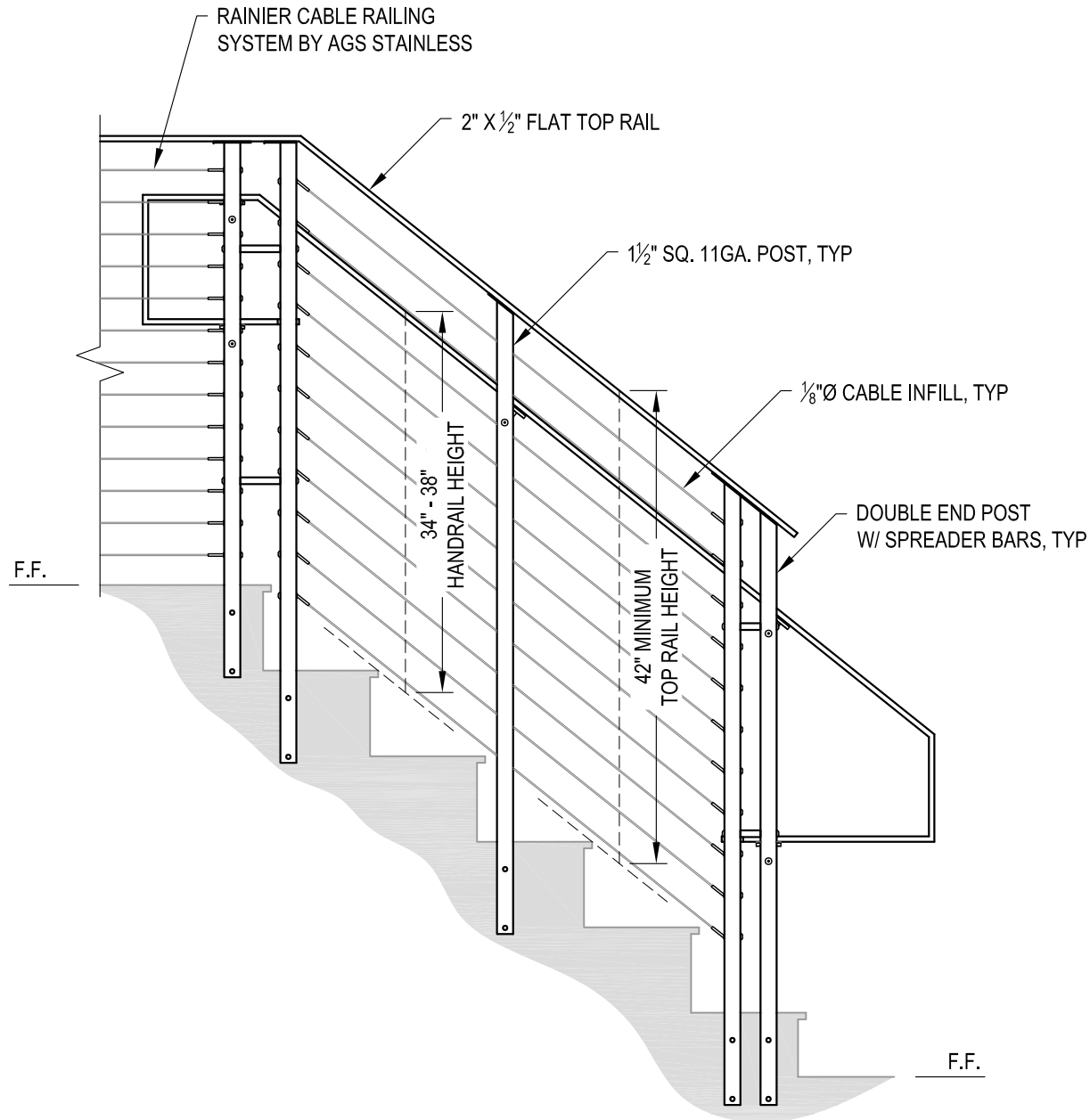
A TYPICAL RAILING CONDITION ELEVATION

DATE	2024	DESIGNER	AGS	SHEET	2 OF 4
SCALE	NONE				
RRAINIER SSM42FC					

RRAINIER SPECIFICATION DRAWING
 ** COMMERCIAL **
 42" SIDE MOUNT - FLAT TOP

7873 NE DAY ROAD
 BAINBRIDGE ISLAND, WA 98110
 PHONE - (888) 842-9492
 FAX - (206) 842-8779
 WWW.AGSSTAINLESS.COM





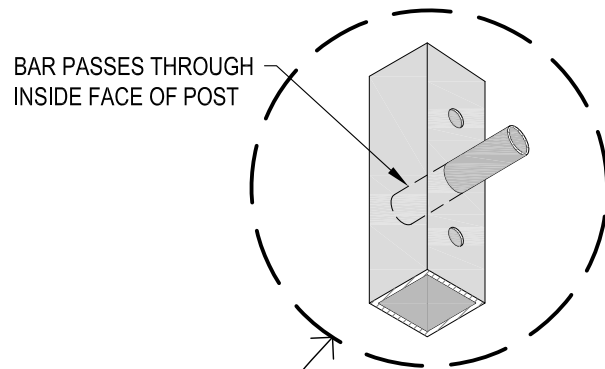
A STAIR
ELEVATION

NOTES:

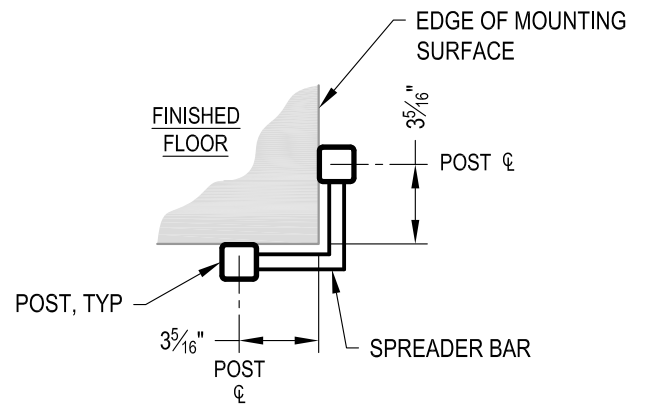
1. STAIR CONSTRUCTION VARIES GREATLY. AS-BUILT CONDITIONS MAY ALTER RAILING DESIGN, INCLUDING POST LOCATION & MOUNTING, INFILL SPACING & TOP RAIL LAYOUT.

AGS Stainless Clearview® Railing Systems are designed to meet the requirements of the latest edition of the IRC/IBC.

7873 MEADY ROAD BAINBRIDGE ISLAND, WA 98110 PHONE - (888) 842-9492 FAX - (206) 842-8179 WWW.AGSSTAINLESS.COM	RAINIER SM42FC	2024	3 OF 4
	RAINIER SPECIFICATION DRAWING ** COMMERCIAL **	AGS	DATE SHEET
	42" SIDE MOUNT - FLAT TOP		

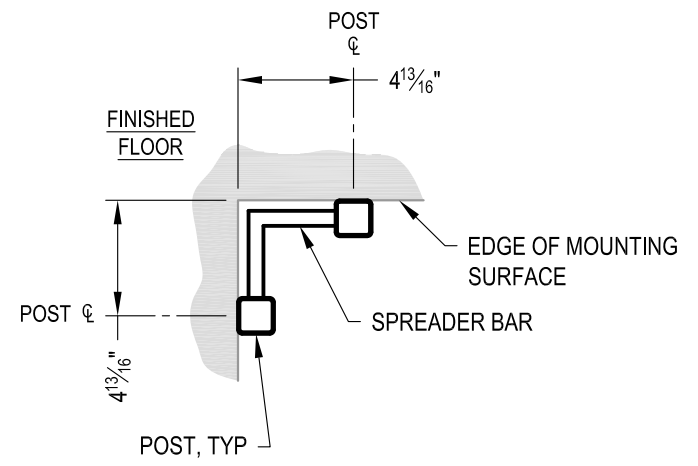


A CORNER POST ASSEMBLY
DETAIL



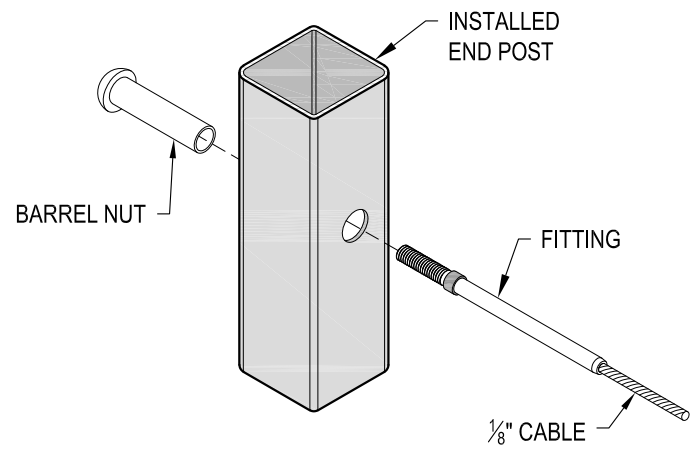
NOTE: 90° SHOWN, OTHER ANGLES SIMILAR

B TYPICAL SIDE MOUNT OUTSIDE CORNER
DETAIL

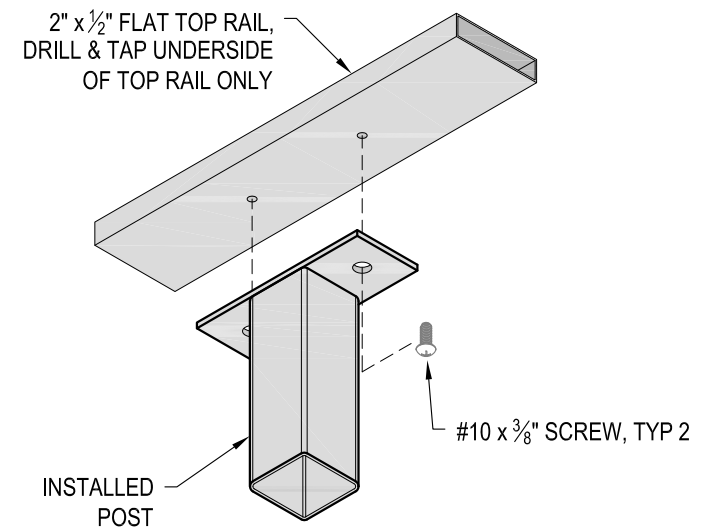


NOTE: 90° SHOWN, OTHER ANGLES SIMILAR

C TYPICAL SIDE MOUNT INSIDE CORNER
DETAIL



D FITTING INSTALLATION - BARREL NUT
DETAIL



E TOP RAIL INSTALLATION - FLAT
DETAIL

AGS Stainless Clearview® Railing Systems are designed to meet the requirements of the latest edition of the IRC/IBC.

AGS stainless CLEARVIEW® Railing Systems	7873 MEYER ROAD BAMBRIDGE ISLAND, WA 98110 PHONE - (888) 842-9492 FAX - (206) 842-8779 WWW.AGSSTAINLESS.COM	RAINIER SM42FC SCALE NONE DATE 2024 DESIGNER AGS SHEET 4 OF 4
	RAINIER SPECIFICATION DRAWING ** COMMERCIAL ** 42" SIDE MOUNT - FLAT TOP	