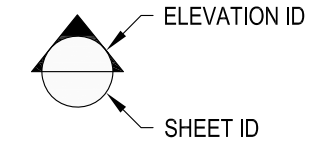


1 EXAMPLE POST LAYOUT
PLAN VIEW

NOTES:

1. TOP RAIL NOT SHOWN FOR CLARITY.
2. ALL PARTS AND COMPONENTS MADE WITH 316 STAINLESS STEEL UNLESS NOTED OTHERWISE.

LEGEND



□ SIDE MOUNT POST

□-□ SIDE MOUNT DOUBLE POST

⊕ CENTERLINE

F.F. FINISHED FLOOR

TYP TYPICAL CONDITION APPLIES
ELSEWHERE AT SIMILAR CONDITIONS

OWNER	RAINIER SM42WC
SCALE	NONE
DATE	2024
DESIGNER	AGS
SHEET	1 OF 4

RAINIER SPECIFICATION DRAWING
** COMMERCIAL **

42" SIDE MOUNT - WOOD TOP

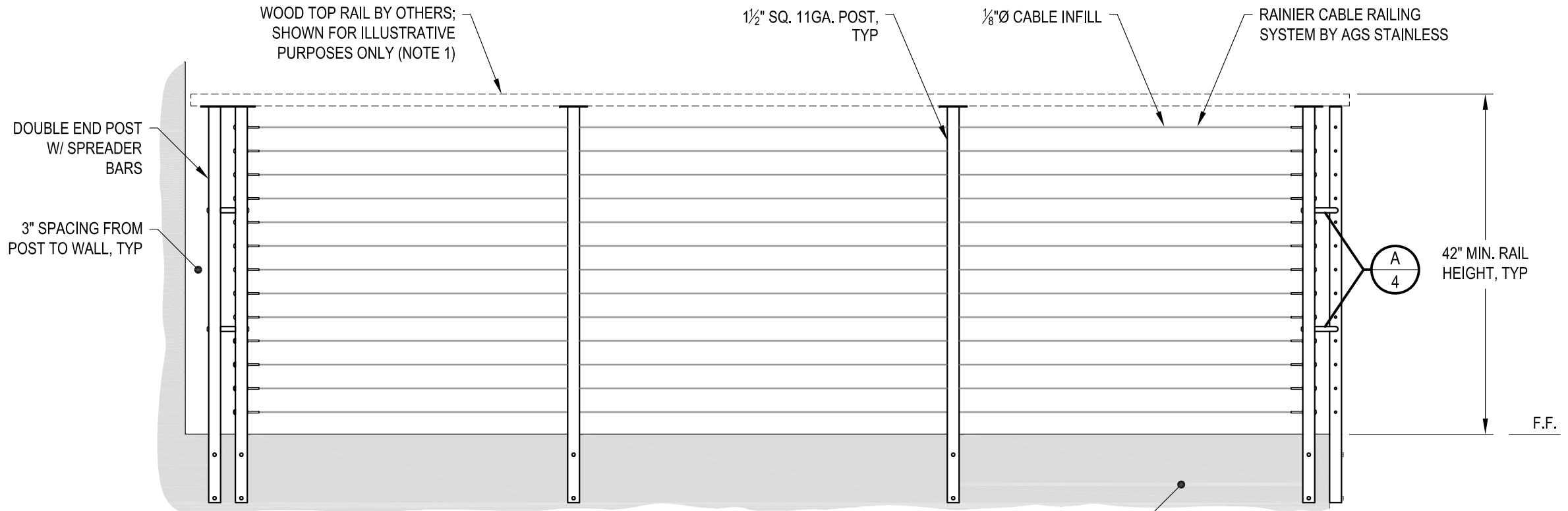
7873 NE DAY ROAD
BAMBRIDGE ISLAND, WA 98110

PHONE - (888) 842-9492
FAX - (206) 842-8179
WWW.AGSSTAINLESS.COM



NOTES:

1. TOP RAIL SHOULD BE SELECTED SO THAT ALL GOVERNING CODE REQUIREMENTS ARE SATISFIED. THESE INCLUDE SHAPE, STRENGTH AND RAILING HEIGHT.
2. DECK STRUCTURE CAN VARY GREATLY. IT IS THE RESPONSIBILITY OF THE CUSTOMER TO VERIFY THAT THE SUPPORTING STRUCTURE IS ADEQUATE TO MEET THE LOAD REQUIREMENTS OF THE GOVERNING BUILDING CODE(S). AGS Stainless Inc. RECOMMENDS CONSULTING A DESIGN OR CONSTRUCTION PROFESSIONAL TO ADDRESS THESE ISSUES.



END POST - WALL CONDITION

INTERMEDIATE POST CONDITION

SUPPORTING STRUCTURE (NOTE 2)

CORNER POST CONDITION

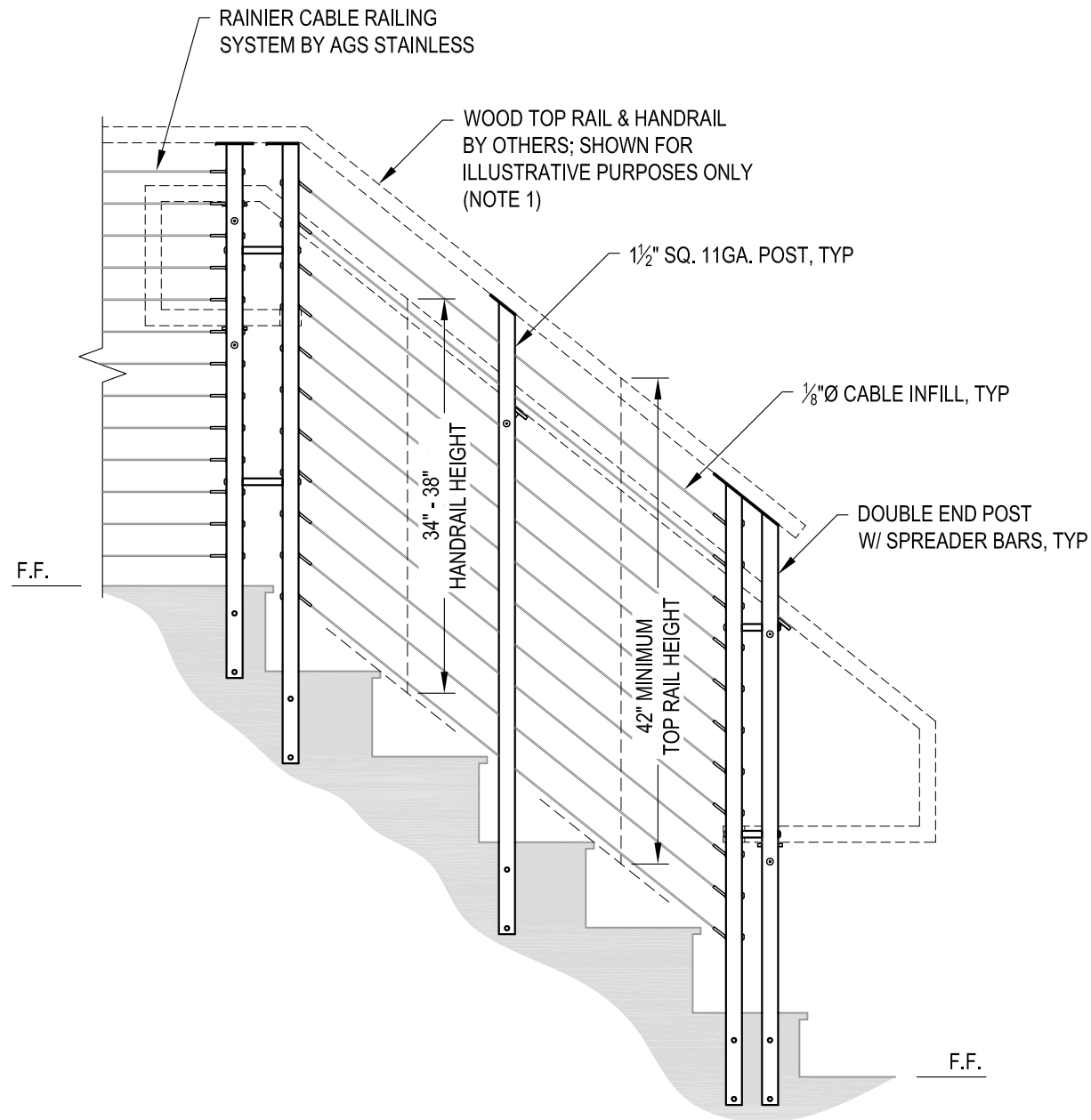
A TYPICAL RAILING CONDITION ELEVATION

OWNER	RAINIER SM42WC
SCALE	NONE
DATE	2024
DESIGNER	AGS
SHEET	2 OF 4

RAINIER SPECIFICATION DRAWING
**** COMMERCIAL ****
 42" SIDE MOUNT - WOOD TOP

7873 NE DAY ROAD
 BAINBRIDGE ISLAND, WA 98110
 PHONE - (888) 842-9492
 FAX - (206) 842-8179
 WWW.AGSSTAINLESS.COM





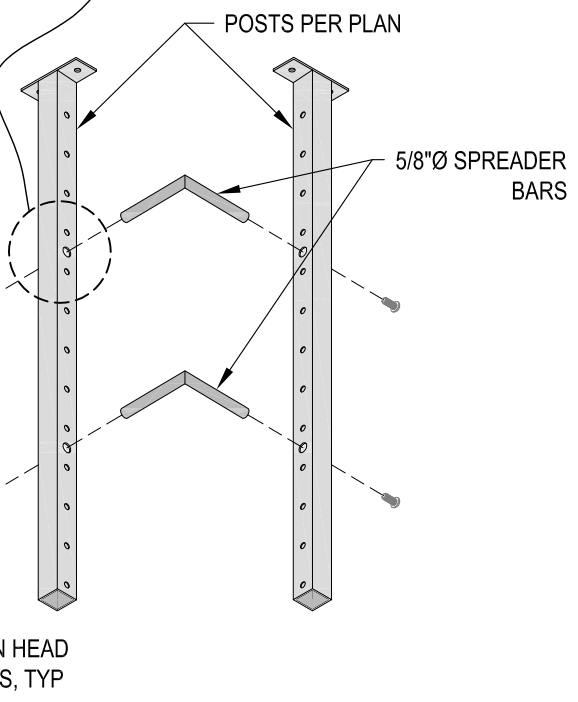
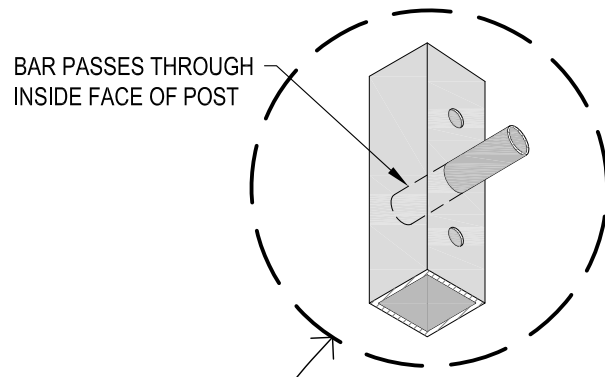
A STAIR
ELEVATION

AGS Stainless Clearview® Railing Systems are designed to meet the requirements of the latest edition of the IRC/IBC.

NOTES:

1. TOP RAIL & HANDRAIL SHOULD BE SELECTED SO THAT ALL GOVERNING CODE REQUIREMENTS ARE SATISFIED. THESE INCLUDE SHAPE, STRENGTH AND RAILING HEIGHT.
2. STAIR CONSTRUCTION VARIES GREATLY. AS-BUILT CONDITIONS MAY ALTER RAILING DESIGN, INCLUDING POST LOCATION & MOUNTING, INFILL SPACING & TOP RAIL LAYOUT.

DWG#	RAINIER SM42WC	
	SCALE	DATE
DESIGNER	AGS	2024
RAINIER SPECIFICATION DRAWING		3 OF 4
** COMMERCIAL **		
42" SIDE MOUNT - WOOD TOP		
7873 ME DAY ROAD BAINBRIDGE ISLAND, WA 98110 PHONE - (888) 842-9492 FAX - (206) 842-8179 WWW.AGSSTAINLESS.COM		



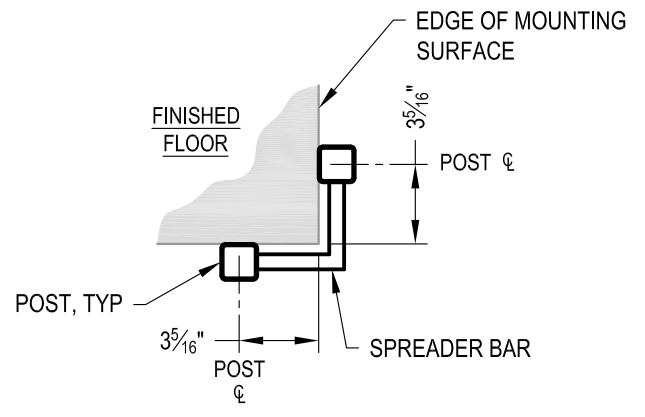
A CORNER POST ASSEMBLY
DETAIL

BAR PASSES THROUGH
INSIDE FACE OF POST

POSTS PER PLAN

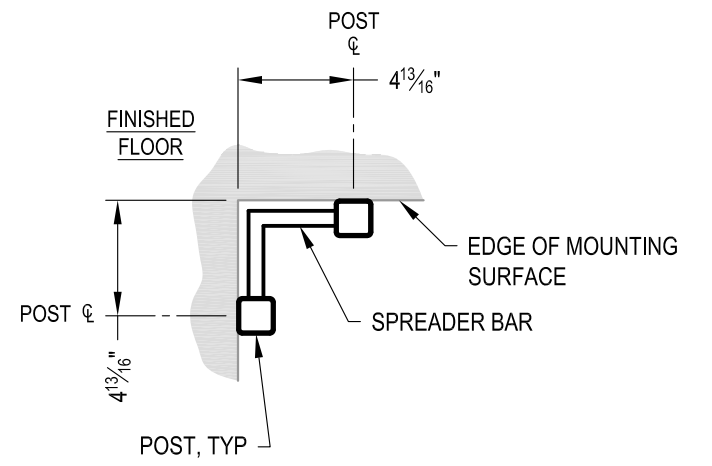
5/8"Ø SPREADER
BARS

BUTTON HEAD
SCREWS, TYP



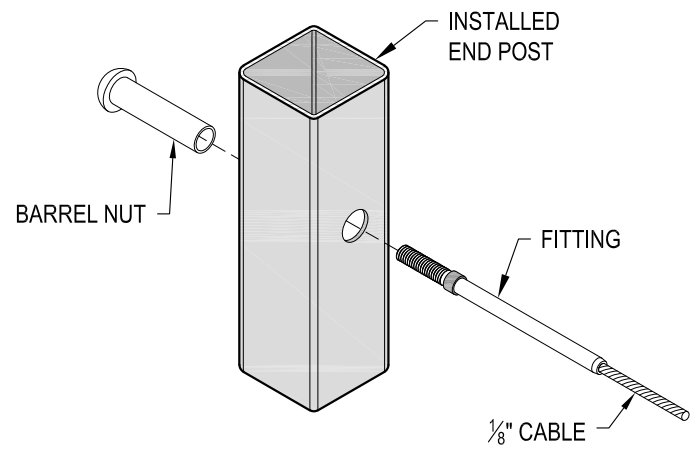
NOTE: 90° SHOWN, OTHER ANGLES SIMILAR

B TYPICAL SIDE MOUNT OUTSIDE CORNER
DETAIL



NOTE: 90° SHOWN, OTHER ANGLES SIMILAR

C TYPICAL SIDE MOUNT INSIDE CORNER
DETAIL



D FITTING INSTALLATION - BARREL NUT
DETAIL

AGS Stainless Clearview® Railing Systems are designed to meet the requirements of the latest edition of the IRC/IBC.

OWNER	RAINIER SM42WC
SCALE	NONE
DATE	2024
DESIGNER	AGS
SHEET	4 OF 4

RAINIER SPECIFICATION DRAWING
** COMMERCIAL **

42" SIDE MOUNT - WOOD TOP

7873 MEADY ROAD
BAINBRIDGE ISLAND, WA 98110
PHONE - (888) 842-9492
FAX - (206) 842-8779
WWW.AGSSTAINLESS.COM

