

1 EXAMPLE POST LAYOUT
PLAN VIEW

NOTES:

1. TOP RAIL NOT SHOWN FOR CLARITY.
2. ALL PARTS AND COMPONENTS MADE WITH 316 STAINLESS STEEL UNLESS NOTED OTHERWISE.

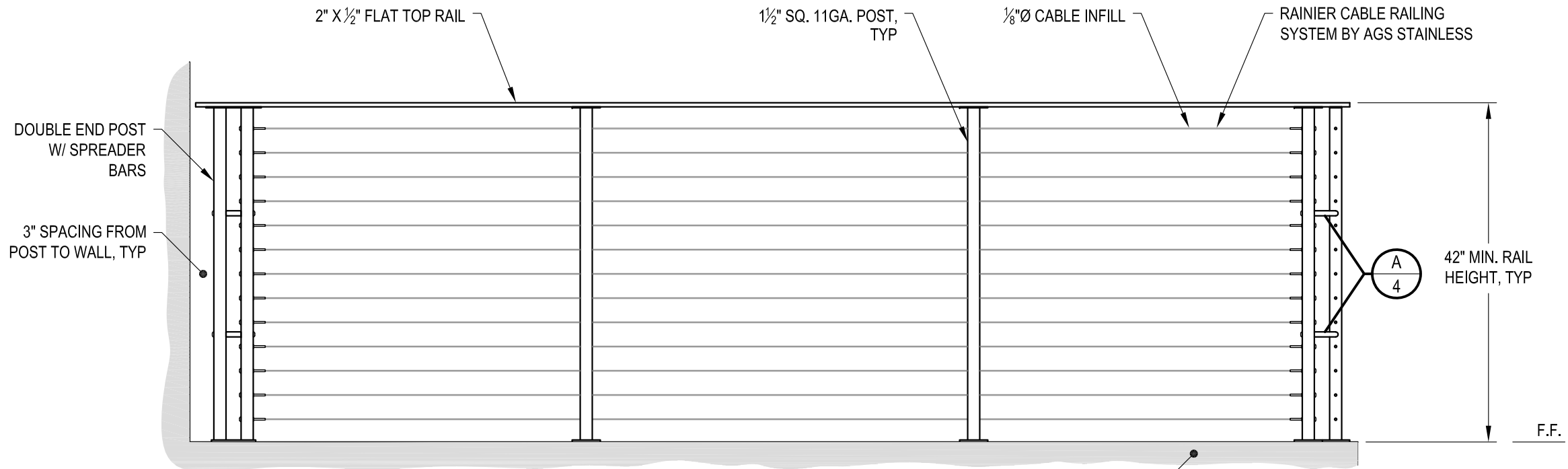
LEGEND

- DETAIL ID
SHEET ID
- ELEVATION ID
SHEET ID
- TOP MOUNT POST
- TOP MOUNT DOUBLE POST
- CENTERLINE
- F.F. FINISHED FLOOR
- TYP TYPICAL CONDITION APPLIES ELSEWHERE AT SIMILAR CONDITIONS

| | | | |
|---|----------------|------------|--------------|
| RAINIER SPECIFICATION DRAWING ** COMMERCIAL ** | RAINIER TM42FC | DATE 2024 | SHEET 1 OF 4 |
| | DESIGNER AGS | SCALE NONE | |
| 7873 NE DAY ROAD BAINBRIDGE ISLAND, WA 98110 PHONE - (888) 842-9492 FAX - (206) 842-8779 WWW.AGSSTAINLESS.COM | | | |
| CLEARVIEW® Railing Systems | | | |

NOTES:

1. TOP RAIL SHOULD BE SELECTED SO THAT ALL GOVERNING CODE REQUIREMENTS ARE SATISFIED. THESE INCLUDE SHAPE, STRENGTH AND RAILING HEIGHT.
2. DECK STRUCTURE CAN VARY GREATLY. IT IS THE RESPONSIBILITY OF THE CUSTOMER TO VERIFY THAT THE SUPPORTING STRUCTURE IS ADEQUATE TO MEET THE LOAD REQUIREMENTS OF THE GOVERNING BUILDING CODE(S). AGS Stainless Inc. RECOMMENDS CONSULTING A DESIGN OR CONSTRUCTION PROFESSIONAL TO ADDRESS THESE ISSUES.



END POST - WALL CONDITION

INTERMEDIATE POST CONDITION

SUPPORTING STRUCTURE (NOTE 1)

CORNER POST CONDITION

A TYPICAL RAILING CONDITION ELEVATION

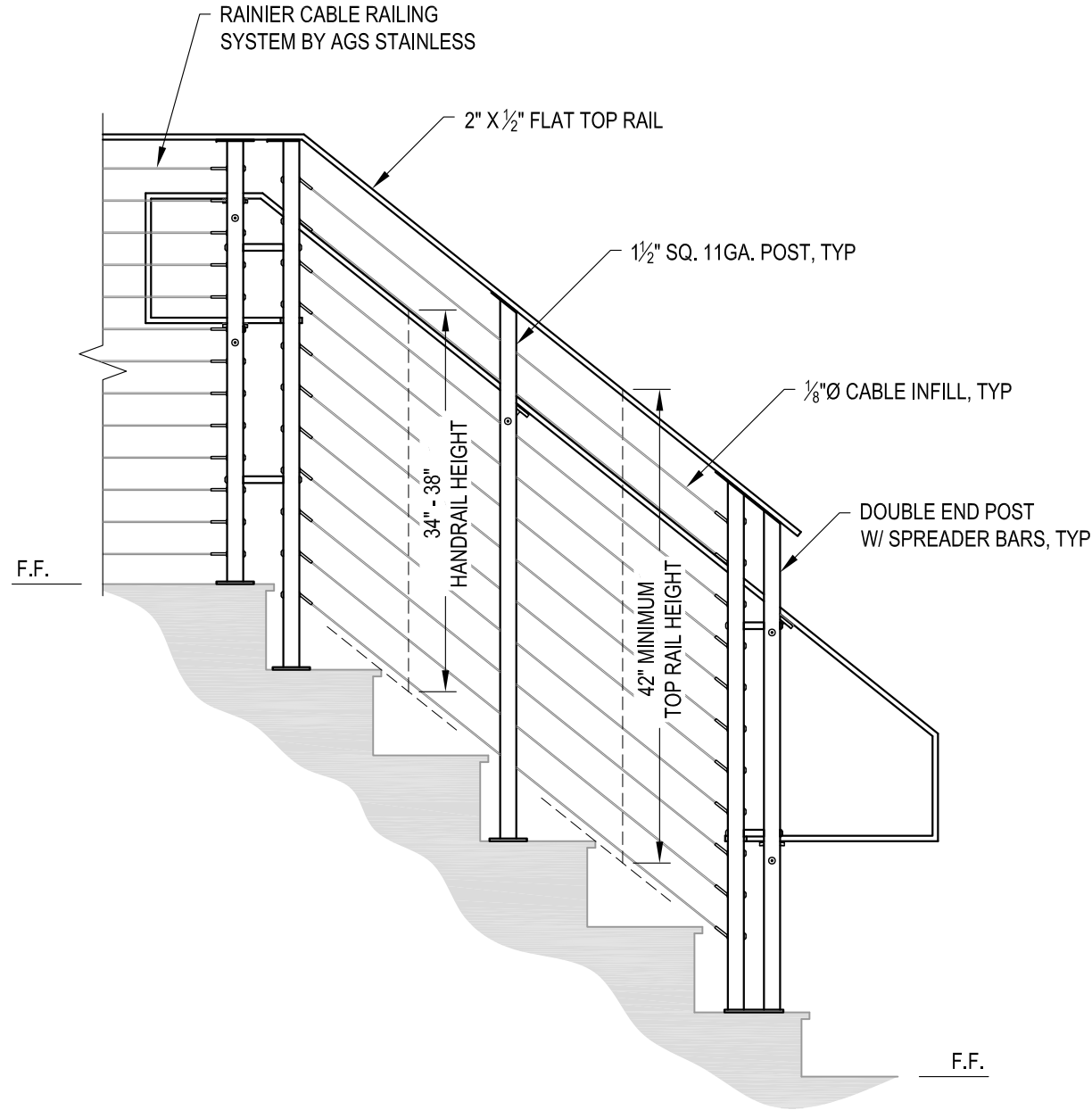
| | |
|----------|--------|
| DATE | 2024 |
| SCALE | NONE |
| DESIGNER | AGS |
| SHEET | 2 OF 4 |

RAINIER SPECIFICATION DRAWING
** COMMERCIAL **

42" TOP MOUNT - FLAT TOP

7873 NE DAY ROAD
BAMBRIDGE ISLAND, WA 98110
PHONE - (888) 842-9492
FAX - (206) 842-8179
WWW.AGSSTAINLESS.COM





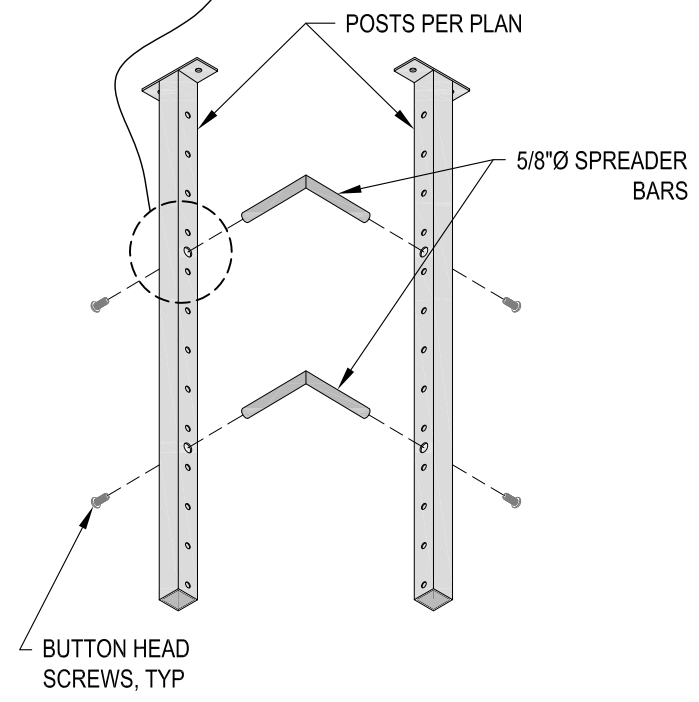
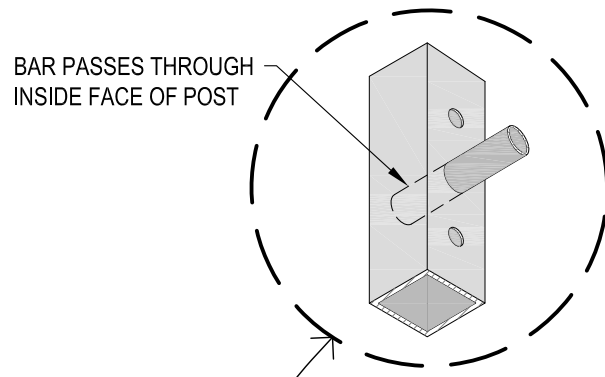
A STAIR
ELEVATION

AGS Stainless Clearview® Railing Systems are designed to meet the requirements of the latest edition of the IRC/IBC.

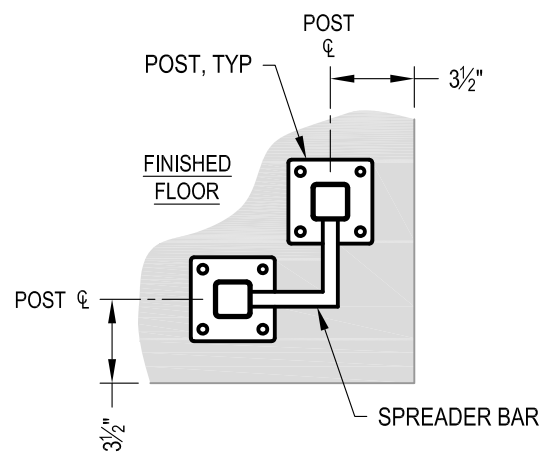
NOTES:

1. TOP RAIL & HANDRAIL SHOULD BE SELECTED SO THAT ALL GOVERNING CODE REQUIREMENTS ARE SATISFIED. THESE INCLUDE SHAPE, STRENGTH AND RAILING HEIGHT.
2. STAIR CONSTRUCTION VARIES GREATLY. AS-BUILT CONDITIONS MAY ALTER RAILING DESIGN, INCLUDING POST LOCATION & MOUNTING, INFILL SPACING & TOP RAIL LAYOUT.

| | | |
|--|----------------|------|
| DWG# | RAINIER TM42FC | |
| | SCALE | DATE |
| | NONE | 2024 |
| DESIGNER | AGS | |
| RAINIER SPECIFICATION DRAWING | | |
| ** COMMERCIAL ** | | |
| 42" TOP MOUNT - FLAT TOP | | |
| 7873 NE DAY ROAD BAINBRIDGE ISLAND, WA 98110 | | |
| PHONE - (888) 842-9492 FAX - (206) 842-8779 WWW.AGSSTAINLESS.COM | | |
| | | |

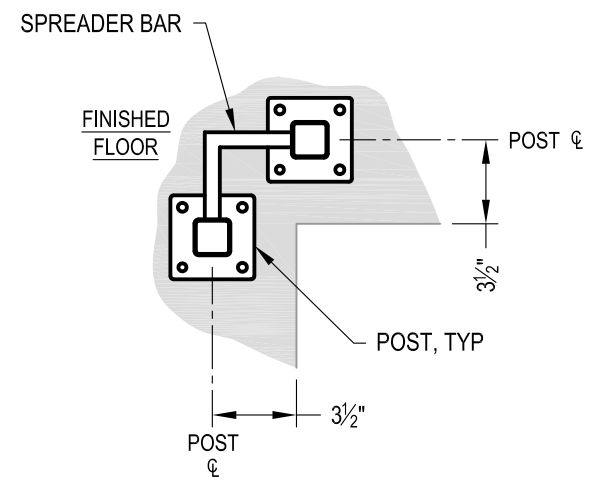


A CORNER POST ASSEMBLY
DETAIL



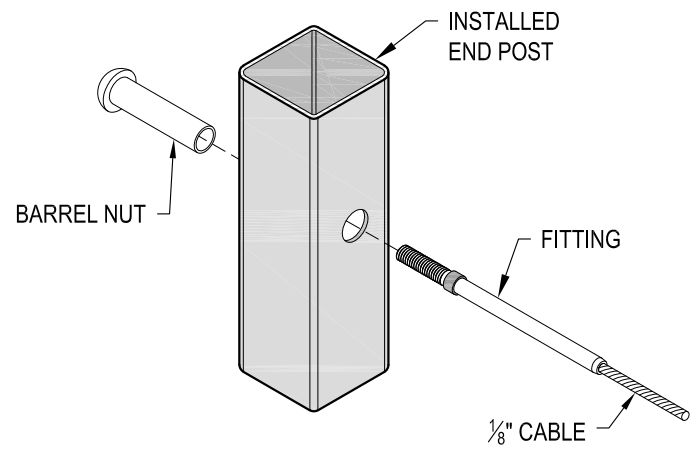
NOTE: 90° SHOWN, OTHER ANGLES SIMILAR

B TYPICAL SIDE MOUNT OUTSIDE CORNER
DETAIL

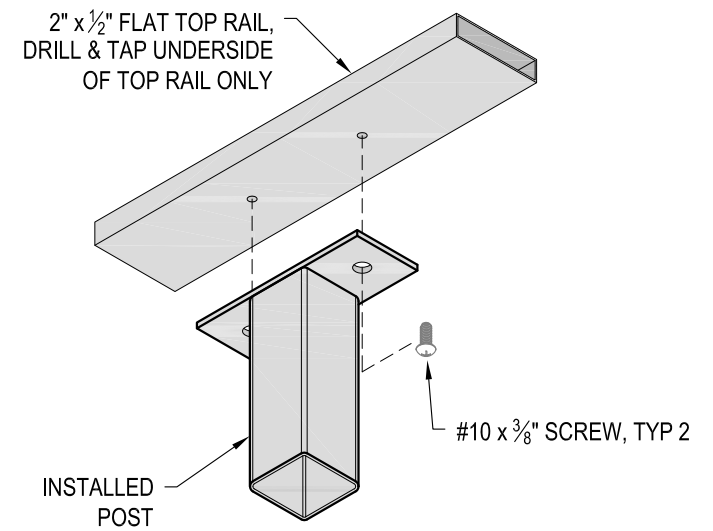


NOTE: 90° SHOWN, OTHER ANGLES SIMILAR

C TYPICAL SIDE MOUNT INSIDE CORNER
DETAIL



D FITTING INSTALLATION - BARREL NUT
DETAIL



E TOP RAIL INSTALLATION - FLAT
DETAIL

AGS Stainless Clearview® Railing Systems are designed to meet the requirements of the latest edition of the IRC/IBC.

| | | |
|--|---|---|
| AGS stainless CLEARVIEW® Railing Systems | 7873 MEYER ROAD BAMBRIDGE ISLAND, WA 98110 PHONE - (888) 842-9492 FAX - (206) 842-8779 WWW.AGSSTAINLESS.COM | RAINIER TM42FC DATE 2024 SCALE NONE DESIGNER AGS SHEET 4 OF 4 |
| | RAINIER SPECIFICATION DRAWING ** COMMERCIAL ** 42" TOP MOUNT - FLAT TOP | |