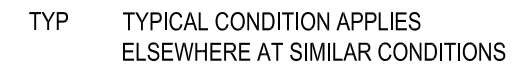
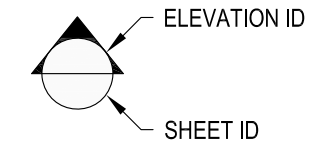
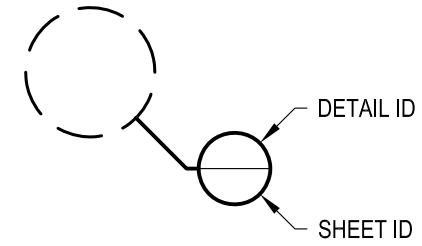


1 EXAMPLE POST LAYOUT
PLAN VIEW

NOTES:

1. TOP RAIL NOT SHOWN FOR CLARITY.
2. ALL PARTS AND COMPONENTS MADE WITH 316 STAINLESS STEEL UNLESS NOTED OTHERWISE.

LEGEND



OWNER	RAINIER TM42RC
SCALE	NONE
DATE	2024
DESIGNER	AGS
SHEET	1 OF 4

RAINIER SPECIFICATION DRAWING
** COMMERCIAL **

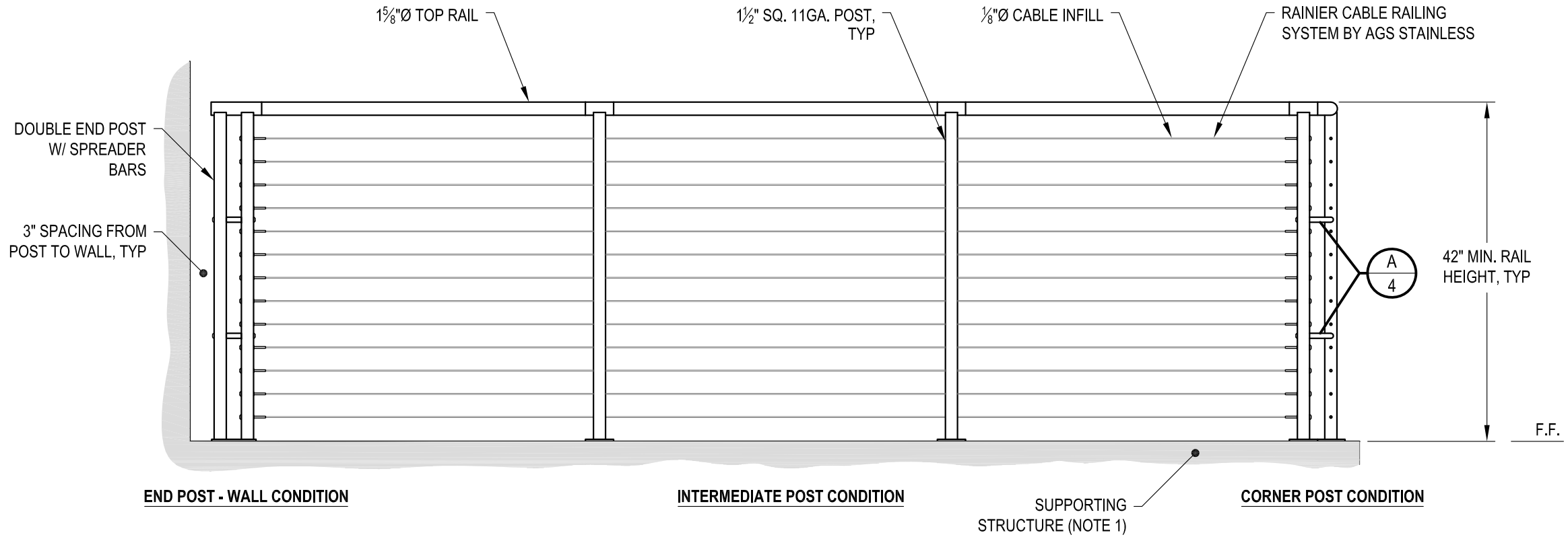
42" TOP MOUNT - ROUND TOP

7873 NE DAY ROAD
BAINBRIDGE ISLAND, WA 98110
PHONE - (888) 842-9492
FAX - (206) 842-8179
WWW.AGSSTAINLESS.COM



NOTES:

1. DECK STRUCTURE CAN VARY GREATLY. IT IS THE RESPONSIBILITY OF THE CUSTOMER TO VERIFY THAT THE SUPPORTING STRUCTURE IS ADEQUATE TO MEET THE LOAD REQUIREMENTS OF THE GOVERNING BUILDING CODE(S). *AGS Stainless Inc.* RECOMMENDS CONSULTING A DESIGN OR CONSTRUCTION PROFESSIONAL TO ADDRESS THESE ISSUES.



A TYPICAL RAILING CONDITION ELEVATION

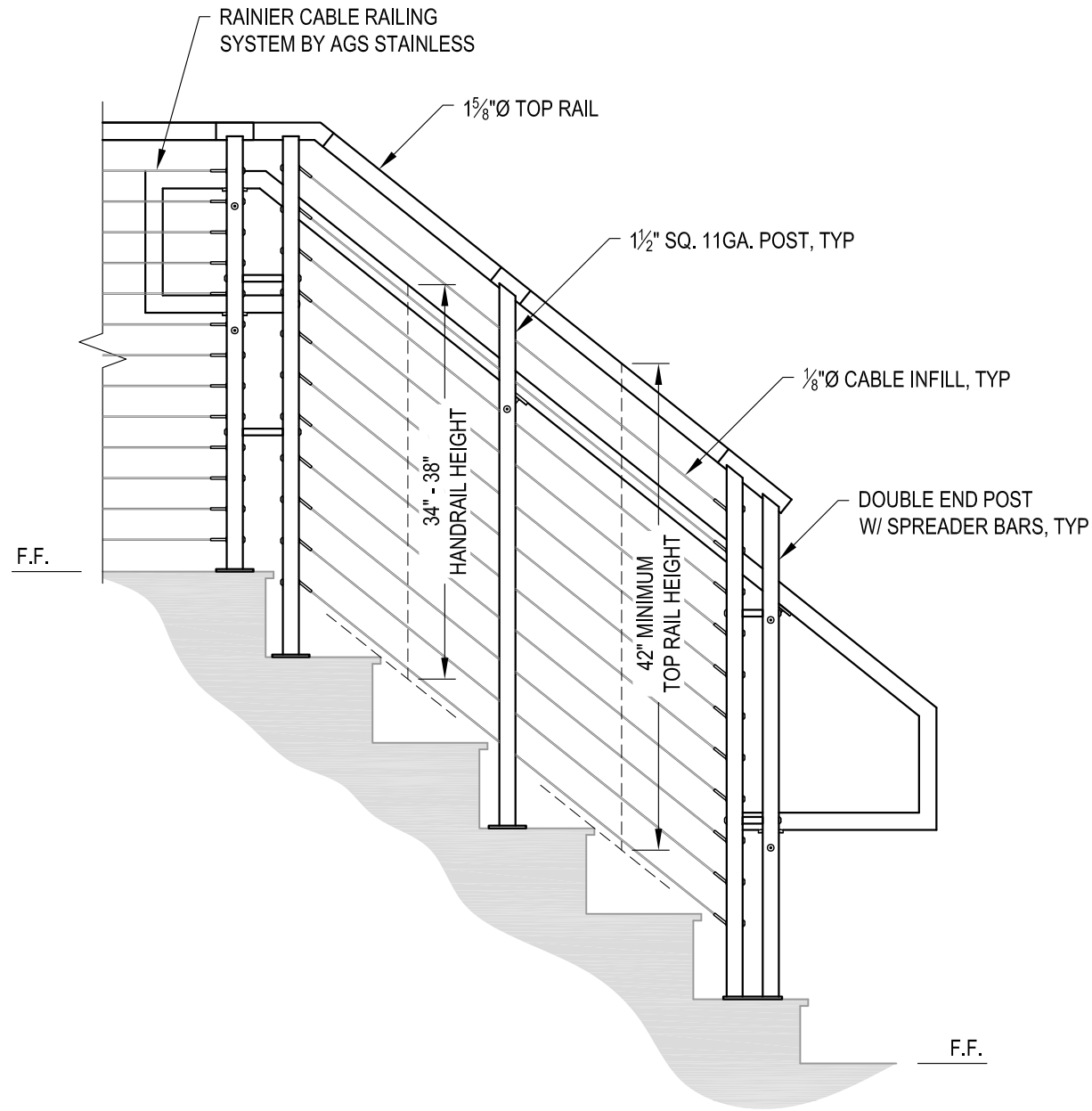
DATE	2024	DESIGNER	AGS	SHEET	2 OF 4
SCALE	NONE				
RAINIER TM42RC					

RAINIER SPECIFICATION DRAWING
** COMMERCIAL **

42" TOP MOUNT - ROUND TOP

7873 MEADY ROAD
BAMBRIDGE ISLAND, WA 98110
PHONE - (888) 842-9492
FAX - (206) 842-8779
WWW.AGSSTAINLESS.COM





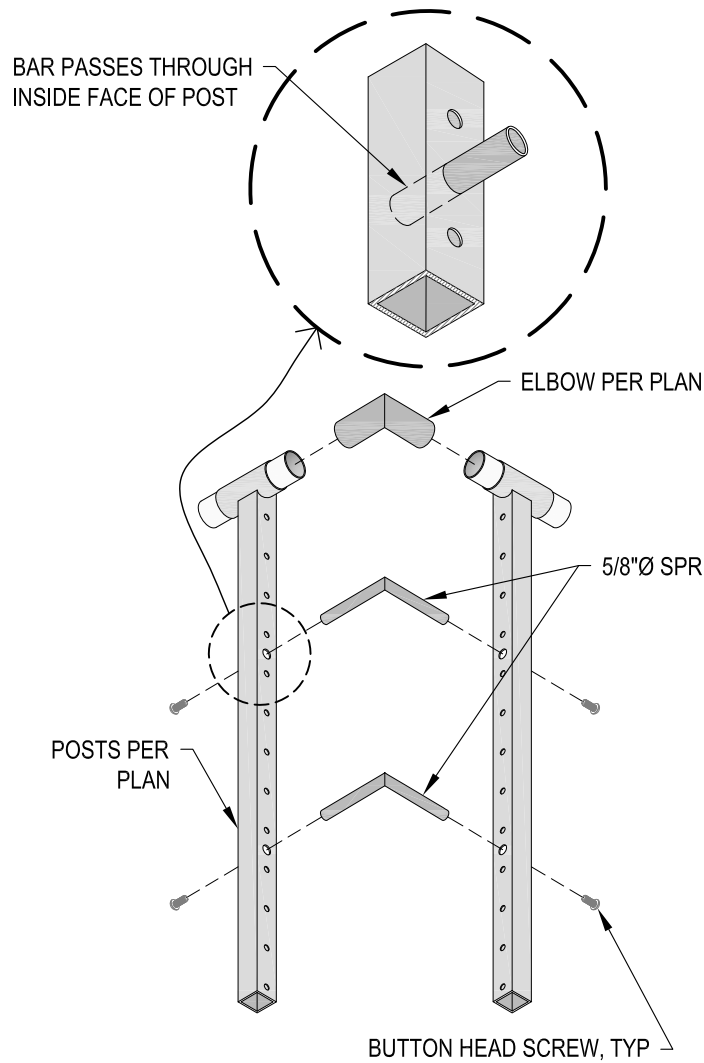
A STAIR
ELEVATION

AGS Stainless Clearview® Railing Systems are designed to meet the requirements of the latest edition of the IRC/IBC.

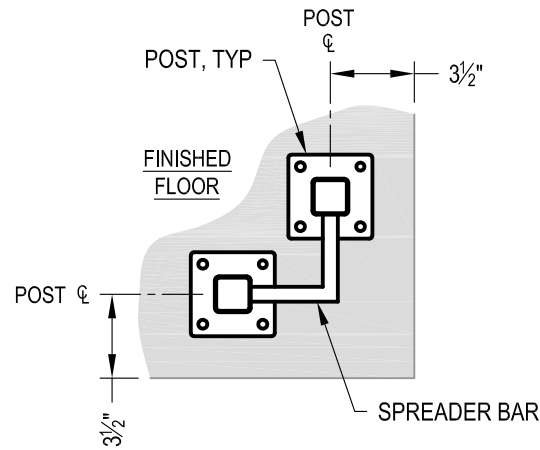
NOTES:

1. STAIR CONSTRUCTION VARIES GREATLY. AS-BUILT CONDITIONS MAY ALTER RAILING DESIGN, INCLUDING POST LOCATION & MOUNTING, INFILL SPACING & TOP RAIL LAYOUT.

DWS# RAINIER SPECIFICATION DRAWING ** COMMERCIAL **	RAINIER TM42RC	2024	3 OF 4
	SCALE NONE	DATE	SHEET
7873 ME DAY ROAD BAINBRIDGE ISLAND, WA 98110 PHONE - (888) 842-9492 FAX - (206) 842-8179 WWW.AGSSTAINLESS.COM	DESIGNER AGS	42" TOP MOUNT - ROUND TOP	

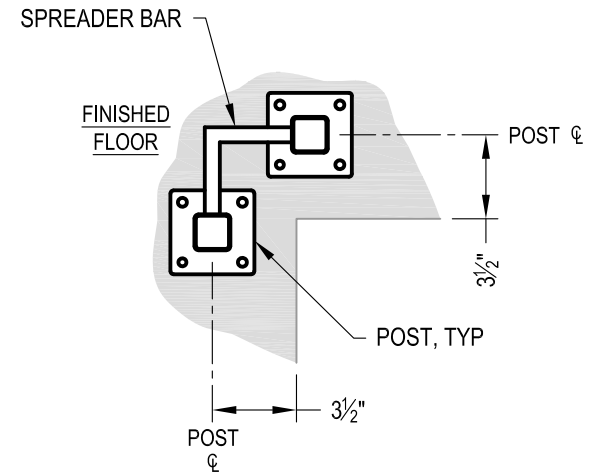


A CORNER POST ASSEMBLY DETAIL



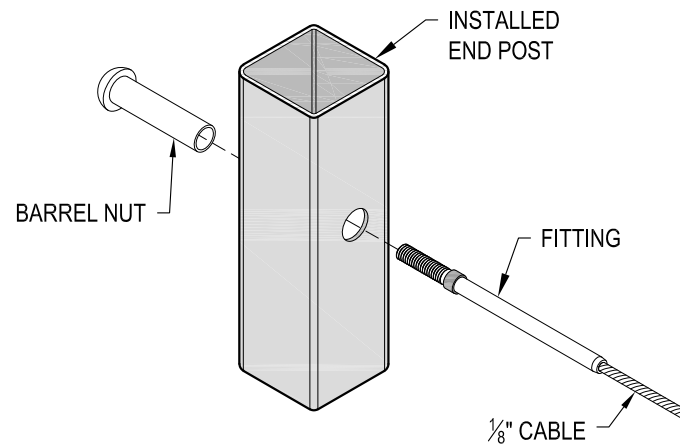
NOTE: 90° SHOWN, OTHER ANGLES SIMILAR

B TYPICAL SIDE MOUNT OUTSIDE CORNER DETAIL

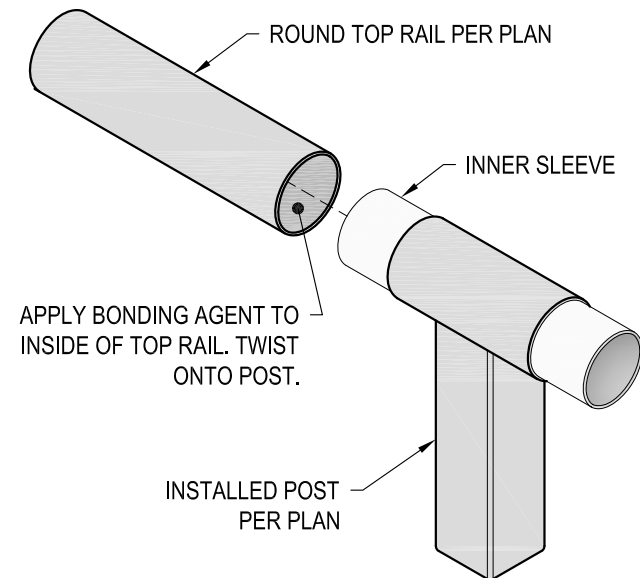


NOTE: 90° SHOWN, OTHER ANGLES SIMILAR

C TYPICAL SIDE MOUNT INSIDE CORNER DETAIL



D FITTING INSTALLATION - BARREL NUT DETAIL



E TOP RAIL INSTALLATION - ROUND DETAIL

AGS Stainless Clearview® Railing Systems are designed to meet the requirements of the latest edition of the IRC/IBC.