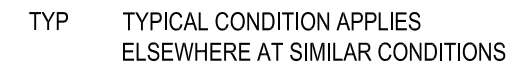


1 EXAMPLE POST LAYOUT
PLAN VIEW

NOTES:

1. TOP RAIL NOT SHOWN FOR CLARITY.
2. ALL PARTS AND COMPONENTS MADE WITH 316 STAINLESS STEEL UNLESS NOTED OTHERWISE.

LEGEND



OLYMPUS TM42FC	DATE	2024
SCALE	NONE	
DESIGNER	AGS	SHEET 1 OF 4

VERTICAL OLYMPUS SPECIFICATION DRAWING
** COMMERCIAL **

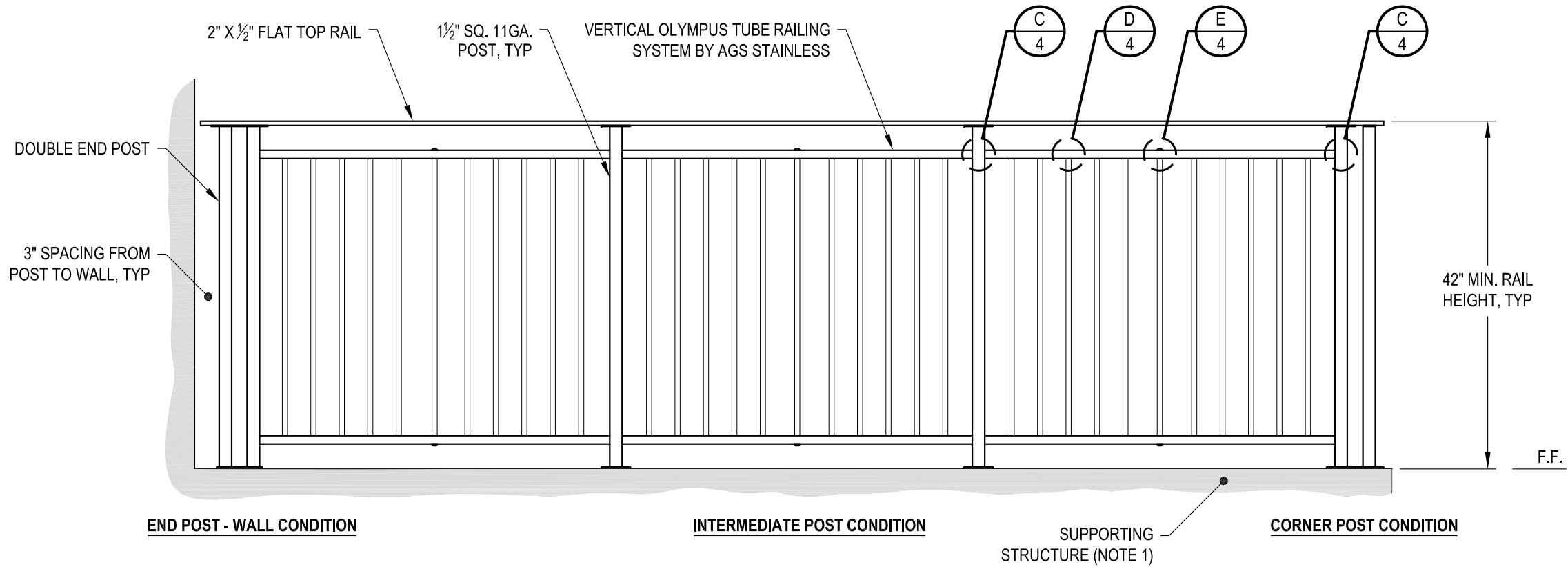
42" TOP MOUNT - FLAT TOP

7873 NE DAY ROAD
BAMBRIDGE ISLAND, WA 98110
PHONE - (888) 842-9492
FAX - (206) 842-8179
WWW.AGSSTAINLESS.COM



NOTES:

- DECK STRUCTURE CAN VARY GREATLY. IT IS THE RESPONSIBILITY OF THE CUSTOMER TO VERIFY THAT THE SUPPORTING STRUCTURE IS ADEQUATE TO MEET THE LOAD REQUIREMENTS OF THE GOVERNING BUILDING CODE(S). *AGS Stainless Inc.* RECOMMENDS CONSULTING A DESIGN OR CONSTRUCTION PROFESSIONAL TO ADDRESS THESE ISSUES.



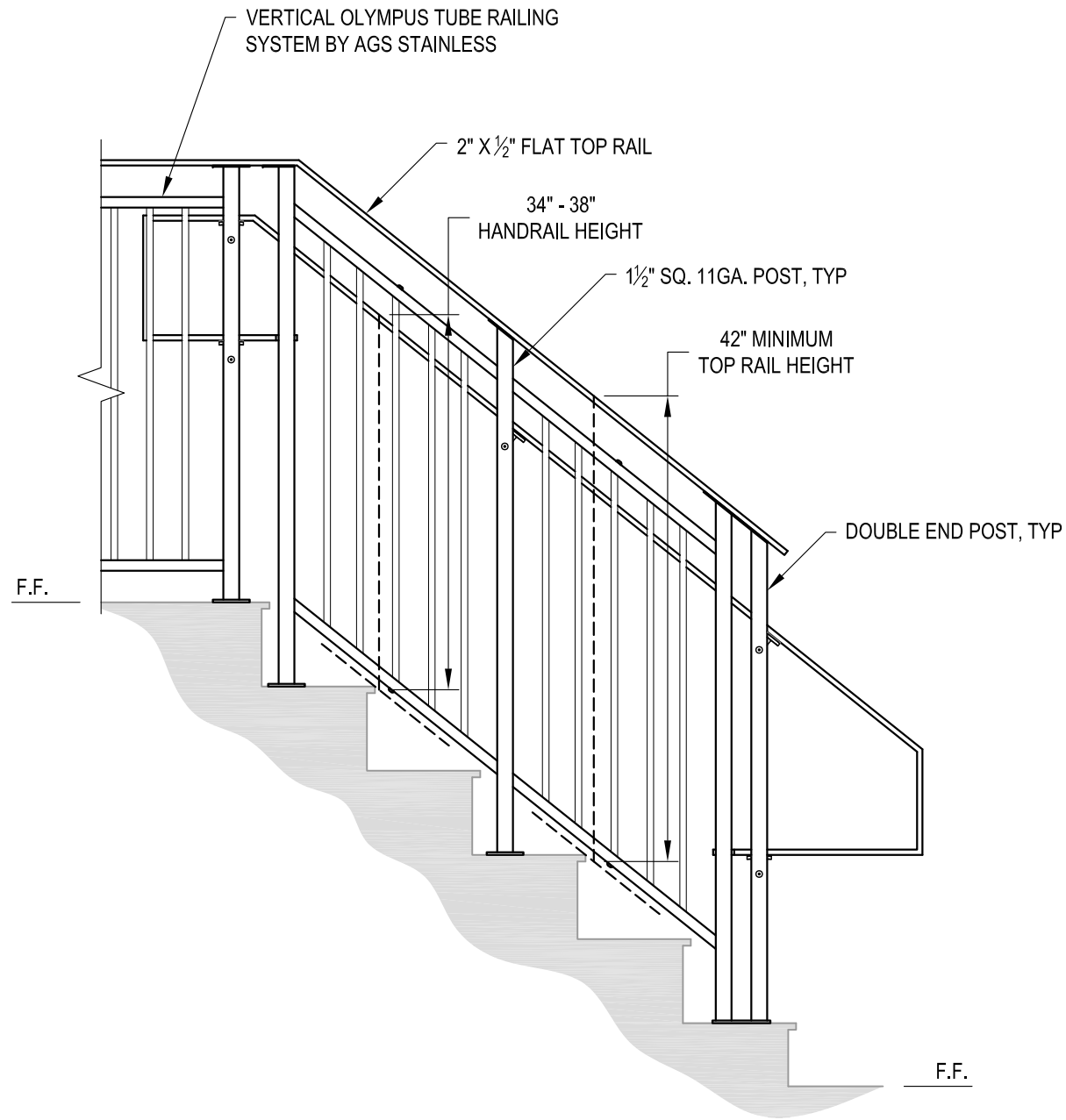
A TYPICAL RAILING CONDITION ELEVATION

DATE	2024
SCALE	NONE
DESIGNER	AGS
SHEET	2 OF 4

VERTICAL OLYMPUS SPECIFICATION DRAWING
 ** COMMERCIAL **
 42" TOP MOUNT - FLAT TOP

7873 NE DAY ROAD
 BAINBRIDGE ISLAND, WA 98110
 PHONE - (888) 842-9492
 FAX - (206) 842-8179
 WWW.AGSSTAINLESS.COM





A STAIR
ELEVATION

NOTES:

1. STAIR CONSTRUCTION VARIES GREATLY. AS-BUILT CONDITIONS MAY ALTER RAILING DESIGN, INCLUDING POST LOCATION & MOUNTING, INFILL SPACING & TOP RAIL LAYOUT.

AGS Stainless Clearview® Railing Systems are designed to meet the requirements of the latest edition of the IRC/IBC.

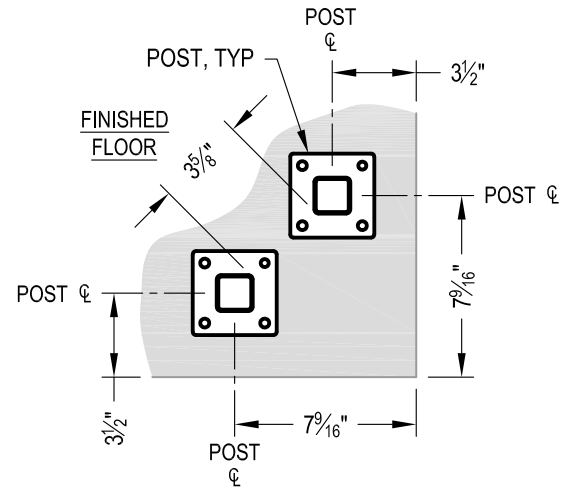
DATE	2024
SCALE	NONE
DESIGNER	AGS
OLYMPUS TM42FC	
3 OF 4	

VERTICAL OLYMPUS SPECIFICATION DRAWING
** COMMERCIAL **

42" TOP MOUNT - FLAT TOP

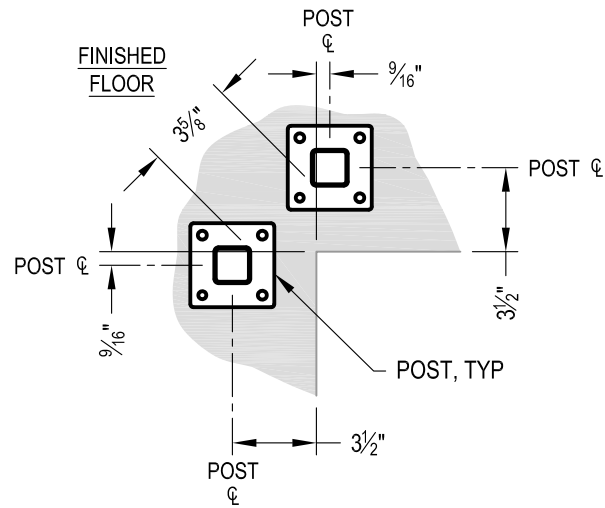
7873 MEADY ROAD
BAINBRIDGE ISLAND, WA 98110
PHONE - (888) 842-9492
FAX - (206) 842-8779
WWW.AGSSTAINLESS.COM





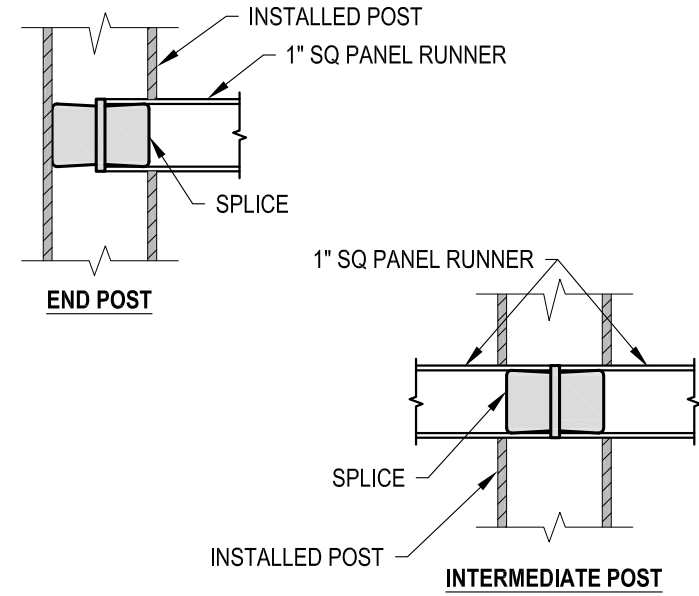
NOTE: 90° SHOWN, OTHER ANGLES SIMILAR

A TYPICAL 90° TOP MOUNT OUTSIDE CORNER
DETAIL

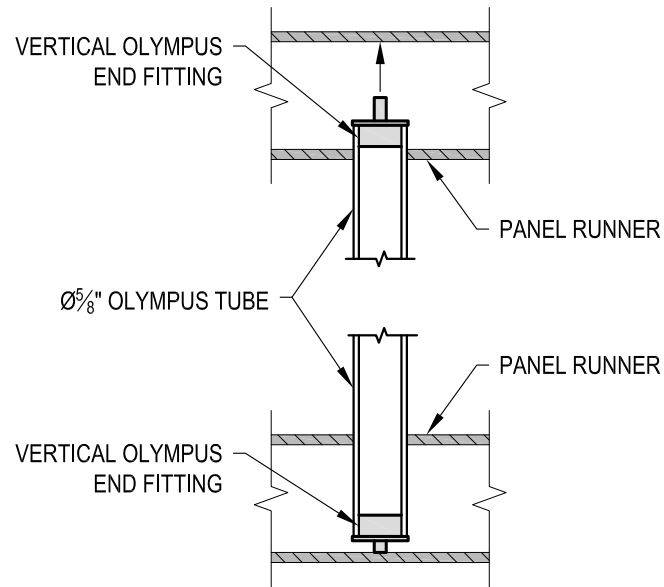


NOTE: 90° SHOWN, OTHER ANGLES SIMILAR

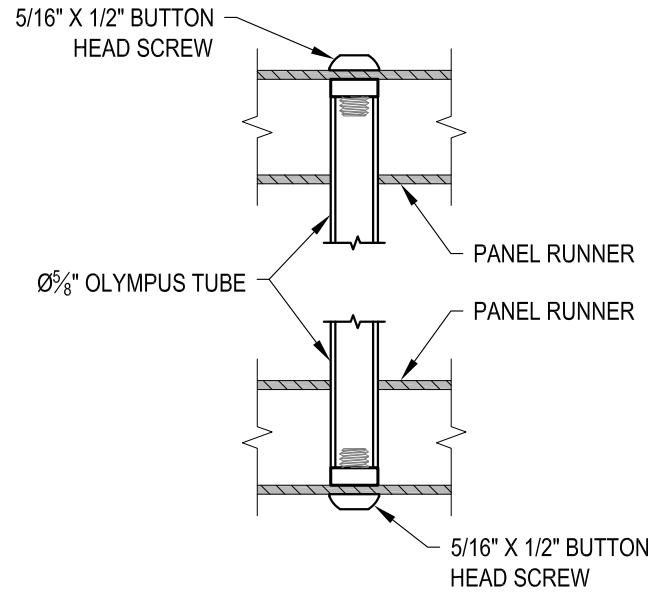
B TYPICAL 90° TOP MOUNT INSIDE CORNER
DETAIL



C FITTING INSTALLATION - VERTICAL PANEL RAIL SPLICE
DETAIL



D FITTING INSTALLATION - OLYMPUS INSERT
DETAIL



E FITTING INSTALLATION - MIDDLE SUPPORT TUBE
DETAIL

AGS Stainless Clearview® Railing Systems are designed to meet the requirements of the latest edition of the IRC/IBC.

DATE	2024
SCALE	NONE
DESIGNER	AGS
SHEET	4 OF 4

VERTICAL OLYMPUS SPECIFICATION DRAWING

** COMMERCIAL **

42" TOP MOUNT - FLAT TOP

7873 MEADY ROAD
BAMBRIDGE ISLAND, WA 98110
PHONE - (888) 842-9492
FAX - (206) 842-8779
WWW.AGSSTAINLESS.COM

