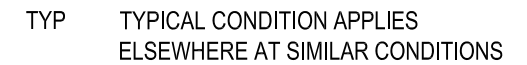
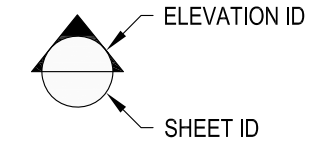
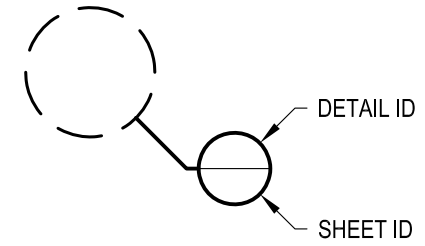


**1** EXAMPLE POST LAYOUT  
PLAN VIEW

**NOTES:**

1. TOP RAIL NOT SHOWN FOR CLARITY.
2. ALL PARTS AND COMPONENTS MADE WITH 316 STAINLESS STEEL UNLESS NOTED OTHERWISE.

**LEGEND**



OWNER	VERT OLYMPUS TM42RC
SCALE	NONE
DATE	2024
DESIGNER	AGS
SHEET	1 OF 4

VERTICAL OLYMPUS SPECIFICATION DRAWING  
\*\* COMMERCIAL \*\*

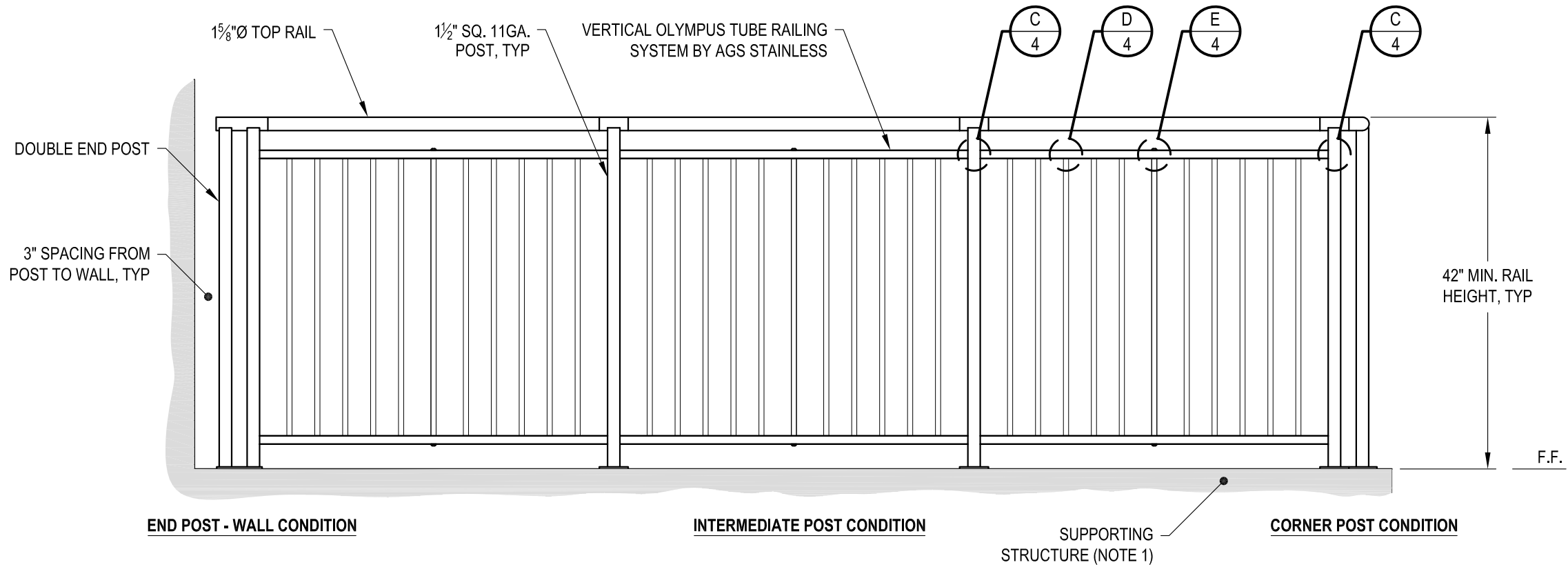
42" TOP MOUNT - ROUND TOP

7873 NE DAY ROAD  
BAMBRIDGE ISLAND, WA 98110  
PHONE - (888) 842-9492  
FAX - (206) 842-8179  
WWW.AGSSTAINLESS.COM



**NOTES:**

1. DECK STRUCTURE CAN VARY GREATLY. IT IS THE RESPONSIBILITY OF THE CUSTOMER TO VERIFY THAT THE SUPPORTING STRUCTURE IS ADEQUATE TO MEET THE LOAD REQUIREMENTS OF THE GOVERNING BUILDING CODE(S). *AGS Stainless Inc.* RECOMMENDS CONSULTING A DESIGN OR CONSTRUCTION PROFESSIONAL TO ADDRESS THESE ISSUES.



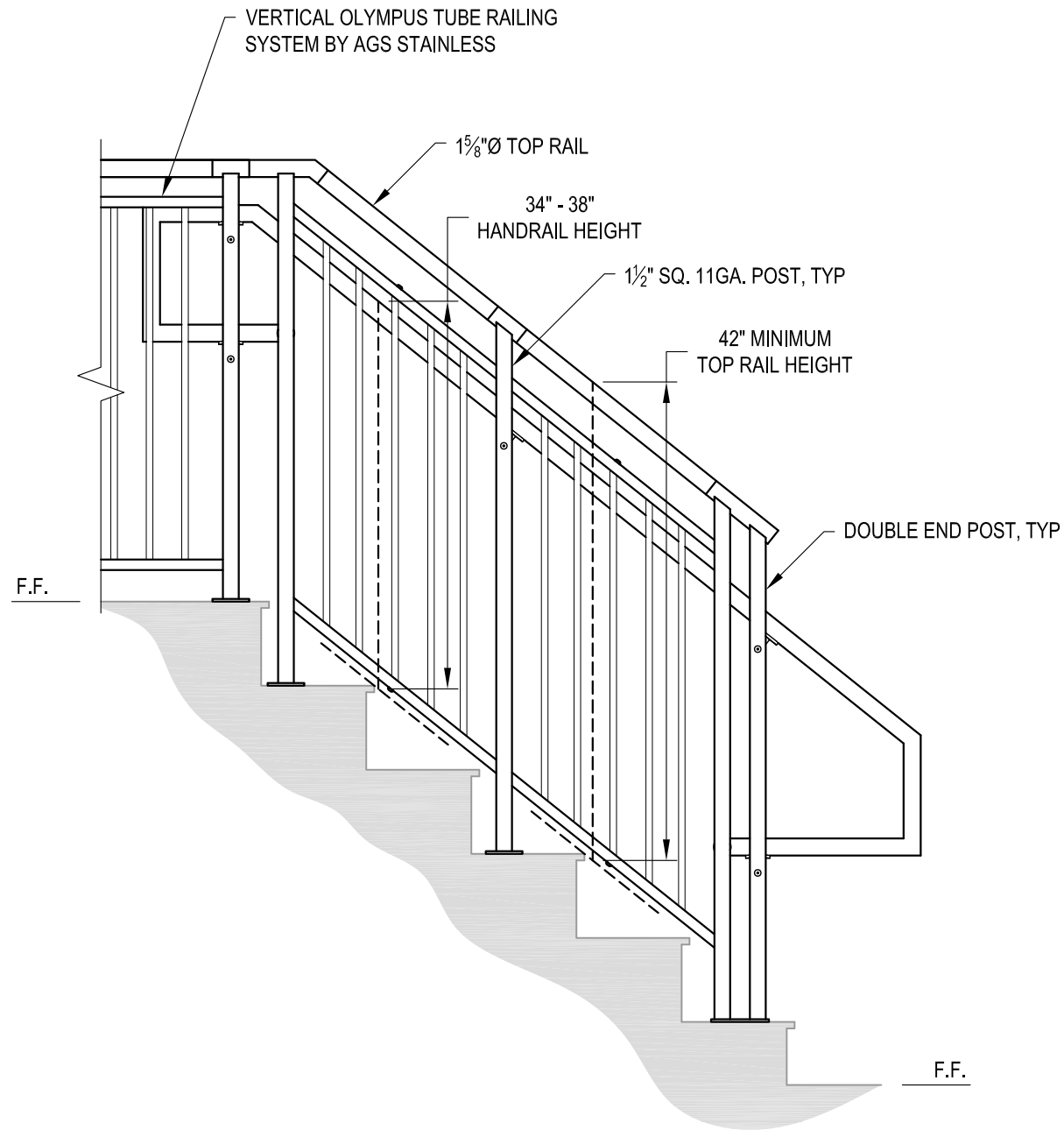
**A** TYPICAL RAILING CONDITION ELEVATION

OWNER	VERT OLYMPUS TM42RC
SCALE	NONE
DESIGNER	AGS
DATE	2024
SHEET	2 OF 4

VERTICAL OLYMPUS SPECIFICATION DRAWING  
 \*\* COMMERCIAL \*\*  
 42" TOP MOUNT - ROUND TOP

7873 NE DAY ROAD  
 BAINBRIDGE ISLAND, WA 98110  
 PHONE - (888) 842-9492  
 FAX - (206) 842-8779  
 WWW.AGSSTAINLESS.COM





**A** STAIR  
ELEVATION

**NOTES:**

1. STAIR CONSTRUCTION VARIES GREATLY. AS-BUILT CONDITIONS MAY ALTER RAILING DESIGN, INCLUDING POST LOCATION & MOUNTING, INFILL SPACING & TOP RAIL LAYOUT.

AGS Stainless Clearview® Railing Systems are designed to meet the requirements of the latest edition of the IRC/IBC.

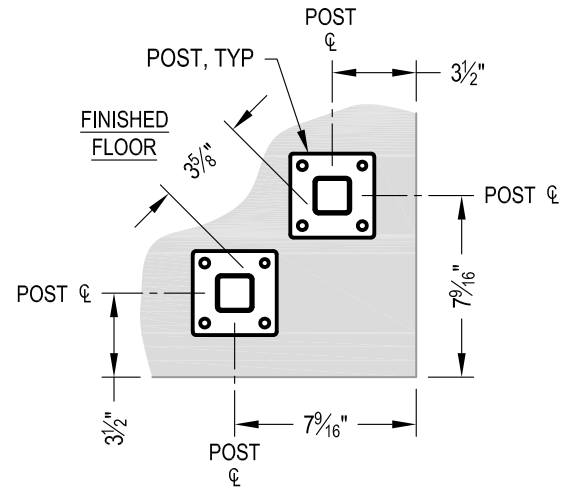
OWNER	VERT OLYMPUS TM42RC
SCALE	NONE
DESIGNER	AGS
DATE	2024
SHEET	3 OF 4

VERTICAL OLYMPUS SPECIFICATION DRAWING  
\*\* COMMERCIAL \*\*

42" TOP MOUNT - ROUND TOP

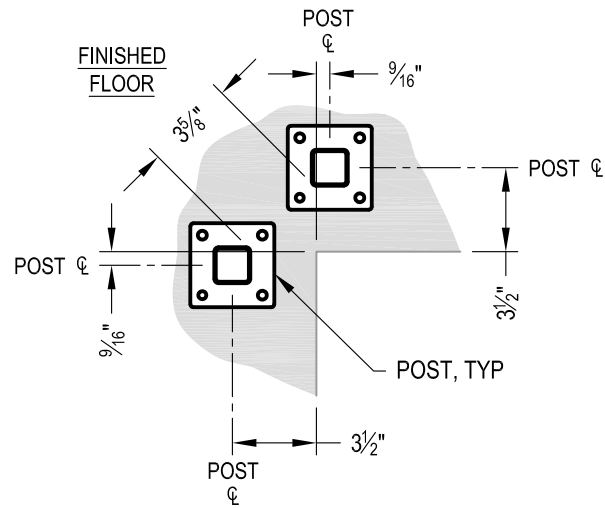
7873 MEADY ROAD  
BAINBRIDGE ISLAND, WA 98110  
PHONE - (888) 842-9492  
FAX - (206) 842-8779  
WWW.AGSSTAINLESS.COM





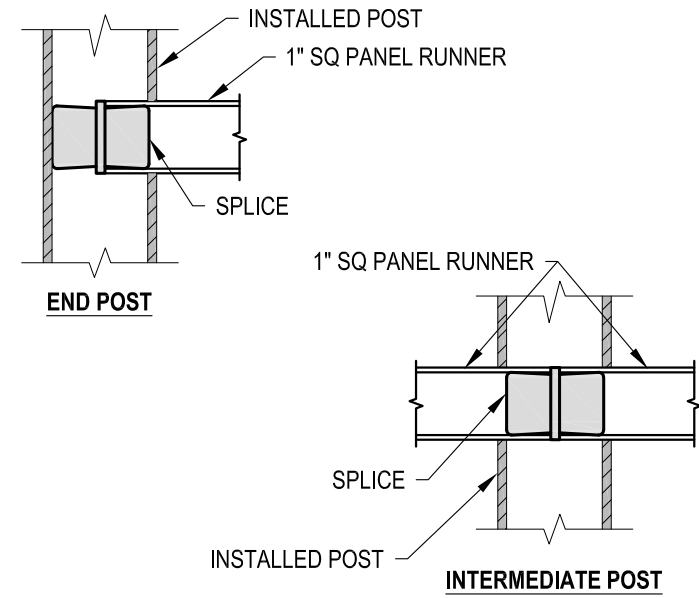
NOTE: 90° SHOWN, OTHER ANGLES SIMILAR

**A** TYPICAL 90° TOP MOUNT OUTSIDE CORNER  
DETAIL

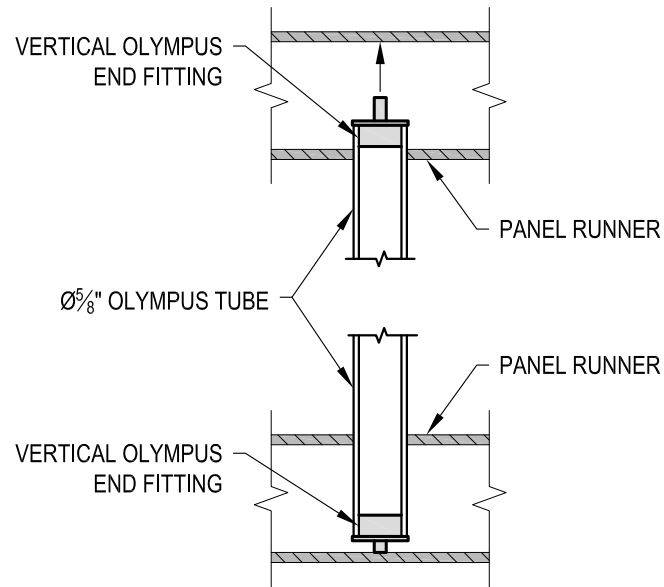


NOTE: 90° SHOWN, OTHER ANGLES SIMILAR

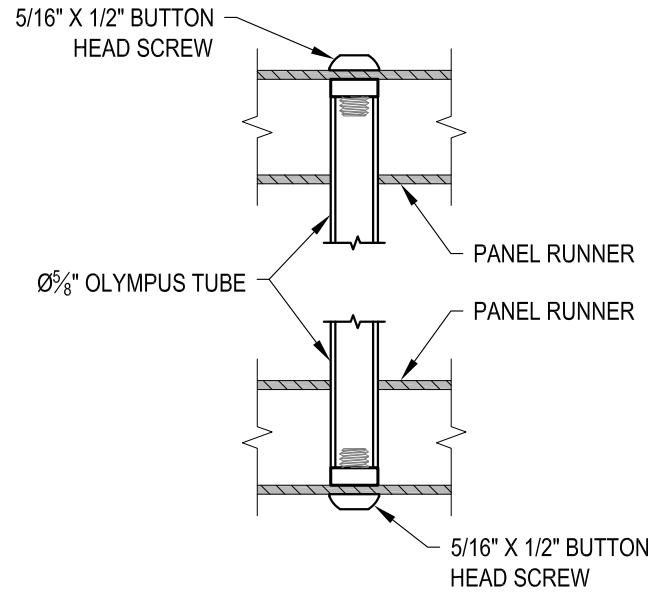
**B** TYPICAL 90° TOP MOUNT INSIDE CORNER  
DETAIL



**C** FITTING INSTALLATION - VERTICAL PANEL RAIL SPLICE  
DETAIL



**D** FITTING INSTALLATION - OLYMPUS INSERT  
DETAIL



**E** FITTING INSTALLATION - MIDDLE SUPPORT TUBE  
DETAIL

AGS Stainless Clearview® Railing Systems are designed to meet the requirements of the latest edition of the IRC/IBC.