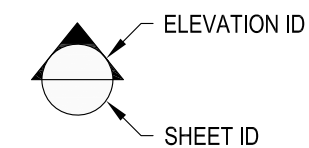
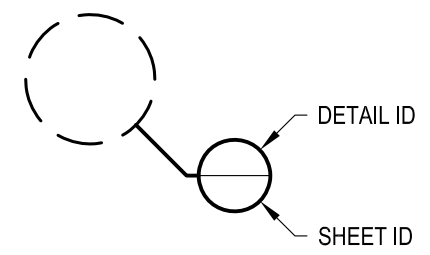


**1** EXAMPLE POST LAYOUT  
PLAN VIEW

**NOTES:**

1. TOP RAIL NOT SHOWN FOR CLARITY.
2. ALL PARTS AND COMPONENTS MADE WITH 316 STAINLESS STEEL UNLESS NOTED OTHERWISE.

**LEGEND**



□ CORE MOUNT POST

□ □ CORE MOUNT DOUBLE POST

⊕ CENTERLINE

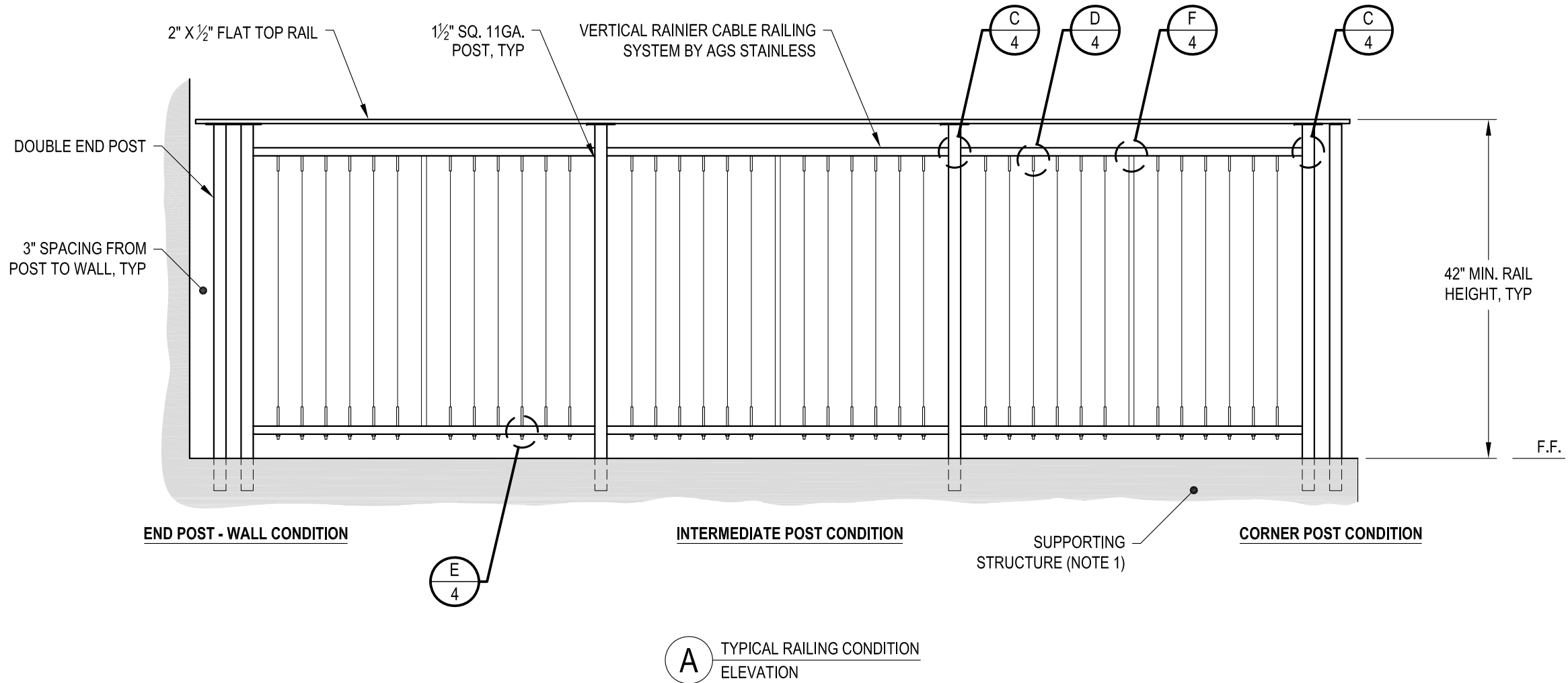
F.F. FINISHED FLOOR

TYP TYPICAL CONDITION APPLIES ELSEWHERE AT SIMILAR CONDITIONS

RAINIER CM42FC	DATE 2024	SHEET 1 OF 4
	SCALE NONE	
DESIGNER AGS		
VERTICAL RAINIER SPECIFICATION DRAWING		
** COMMERCIAL **		
42" CORE MOUNT - FLAT TOP		
7873 NE DAY ROAD BAINBRIDGE ISLAND, WA 98110 PHONE - (888) 842-9492 FAX - (206) 842-8179 WWW.AGSSTAINLESS.COM		

**NOTES:**

- DECK STRUCTURE CAN VARY GREATLY. IT IS THE RESPONSIBILITY OF THE CUSTOMER TO VERIFY THAT THE SUPPORTING STRUCTURE IS ADEQUATE TO MEET THE LOAD REQUIREMENTS OF THE GOVERNING BUILDING CODE(S). AGS Stainless Inc. RECOMMENDS CONSULTING A DESIGN OR CONSTRUCTION PROFESSIONAL TO ADDRESS THESE ISSUES.

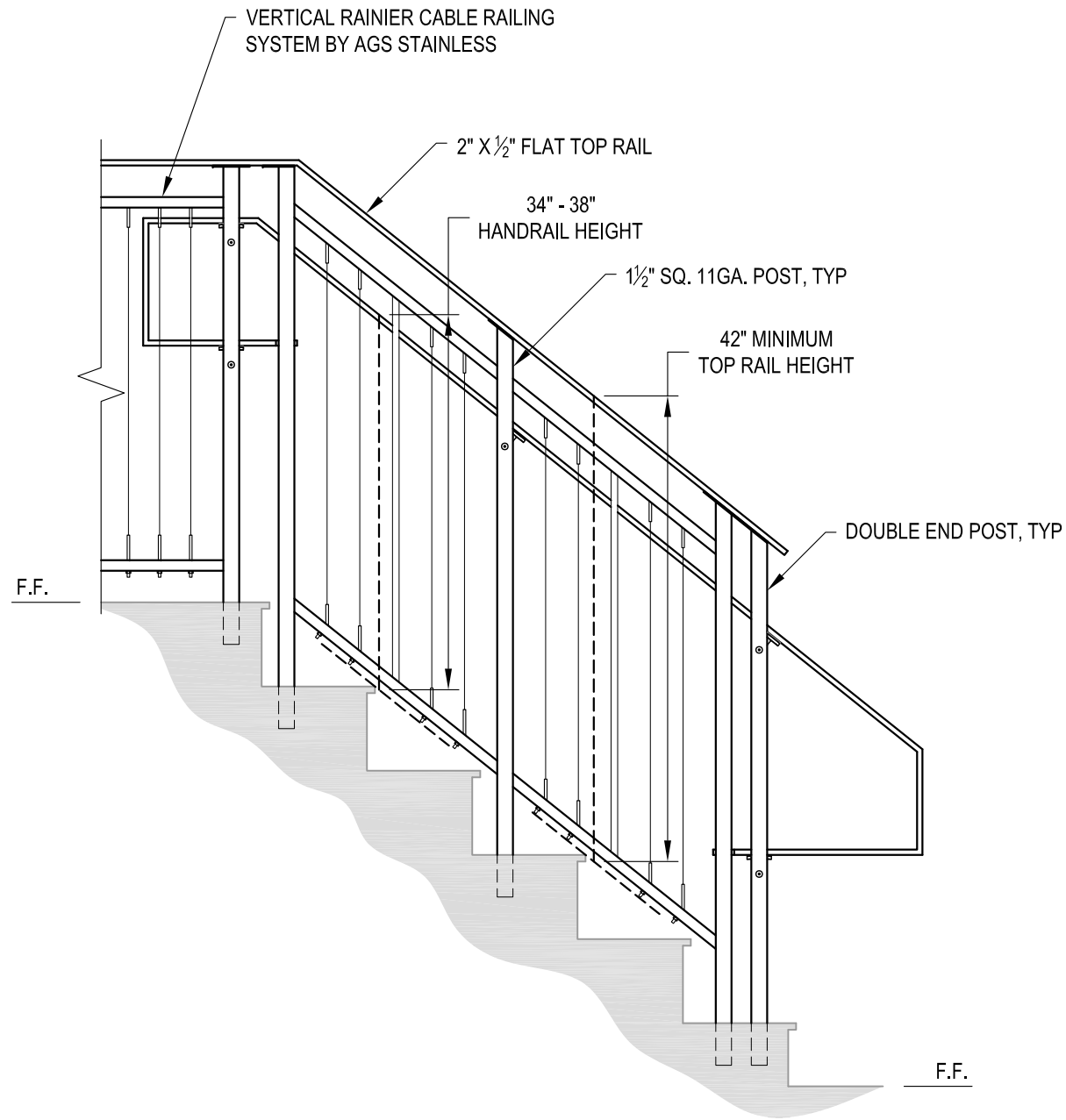


DWS*	RAINIER CM42FC	DATE	2024
	SCALE	NONE	SHEET
DESIGNER		AGS	2 OF 4

VERTICAL RAINIER SPECIFICATION DRAWING  
\*\* COMMERCIAL \*\*  
42" CORE MOUNT - FLAT TOP

7873 NE DAY ROAD  
BAMBRIDGE ISLAND, WA 98110  
PHONE - (888) 842-9492  
FAX - (206) 842-8779  
WWW.AGSSTAINLESS.COM

**AGS stainless**  
CLEARVIEW® Railing Systems



**A** STAIR  
ELEVATION

**NOTES:**

1. STAIR CONSTRUCTION VARIES GREATLY. AS-BUILT CONDITIONS MAY ALTER RAILING DESIGN, INCLUDING POST LOCATION & MOUNTING, INFILL SPACING & TOP RAIL LAYOUT.

AGS Stainless Clearview® Railing Systems are designed to meet the requirements of the latest edition of the IRC/IBC.

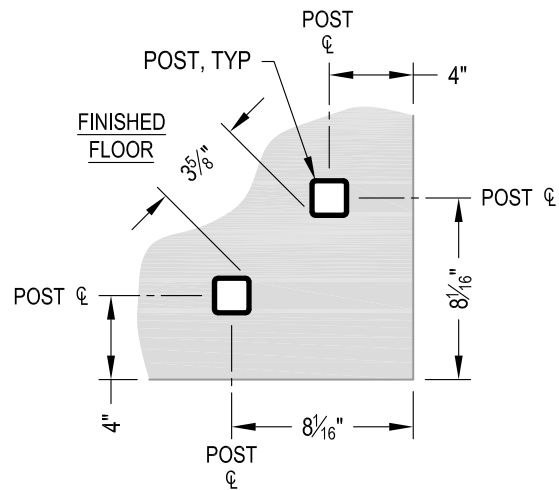
OWNER	RAINIER CM42FC
SCALE	NONE
DESIGNER	AGS
DATE	2024
SHEET	3 OF 4

VERTICAL RAINIER SPECIFICATION DRAWING  
\*\* COMMERCIAL \*\*

42" CORE MOUNT - FLAT TOP

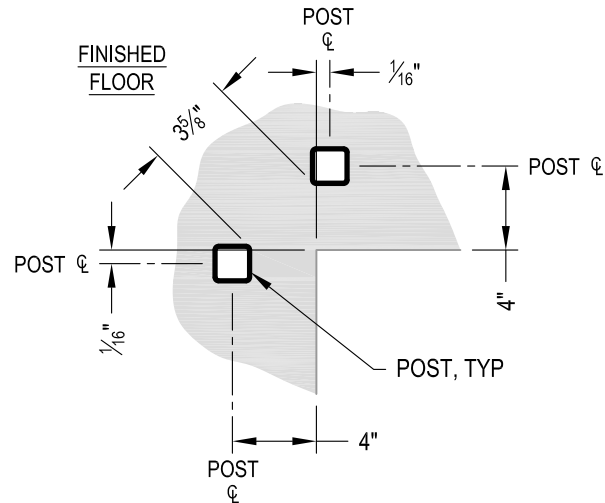
7873 NE DAY ROAD  
BAINBRIDGE ISLAND, WA 98110  
PHONE - (888) 842-9492  
FAX - (206) 842-8779  
WWW.AGSSTAINLESS.COM





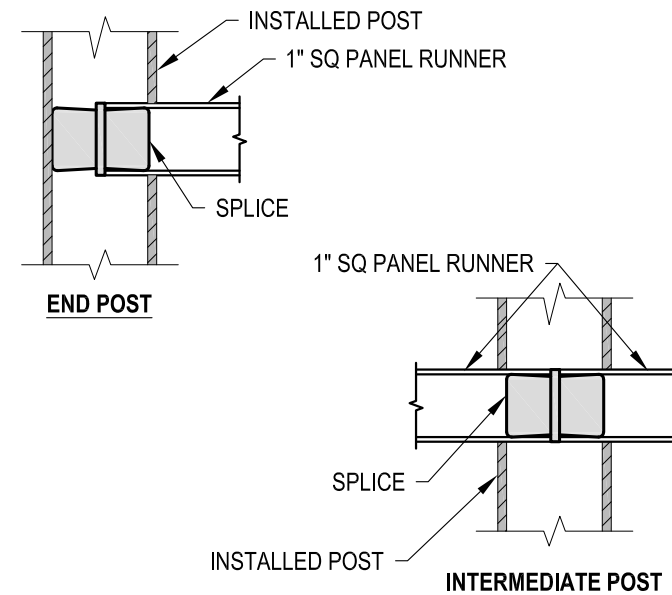
NOTE: 90° SHOWN, OTHER ANGLES SIMILAR

**A** TYPICAL 90° CORE MOUNT OUTSIDE CORNER DETAIL

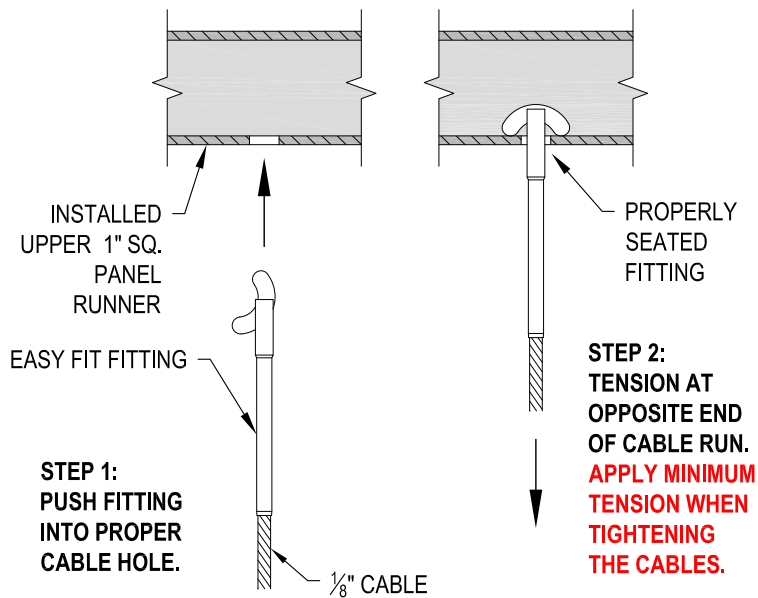


NOTE: 90° SHOWN, OTHER ANGLES SIMILAR

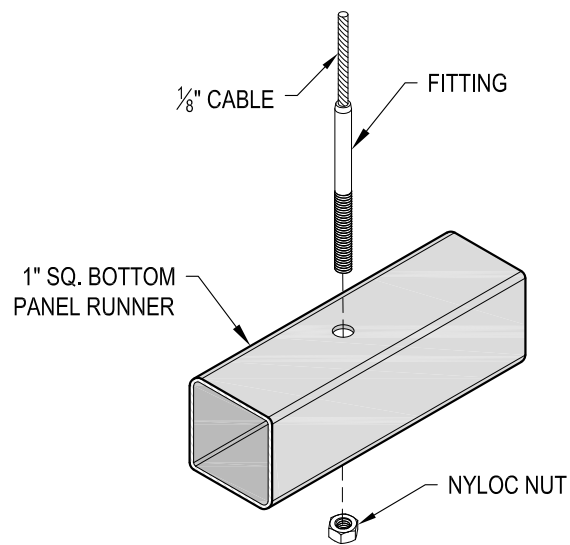
**B** TYPICAL 90° CORE MOUNT INSIDE CORNER DETAIL



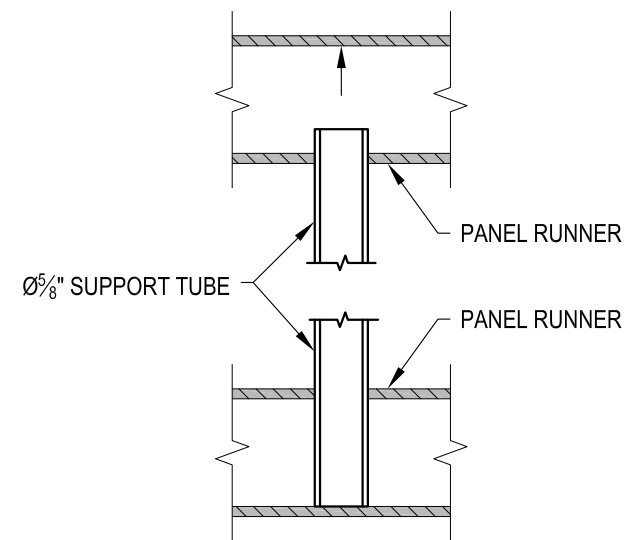
**C** FITTING INSTALLATION - VERTICAL PANEL RAIL SPLICE DETAIL



**D** FITTING INSTALLATION - EASY FIT DETAIL



**E** FITTING INSTALLATION - STANDARD DETAIL



**F** PANEL SUPPORT TUBE INSTALLATION DETAIL

AGS Stainless Clearview® Railing Systems are designed to meet the requirements of the latest edition of the IRC/IBC.

RAINIER CM42FC SCALE: NONE DESIGNER: AGS	DATE: 2024 SHEET: 4 OF 4
	VERTICAL RAINIER SPECIFICATION DRAWING ** COMMERCIAL ** 42" CORE MOUNT - FLAT TOP
7873 NE DAY ROAD BAINBRIDGE ISLAND, WA 98110 PHONE - (888) 842-9492 FAX - (206) 842-8179 WWW.AGSSTAINLESS.COM	
 CLEARVIEW® Railing Systems	