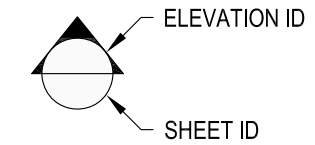
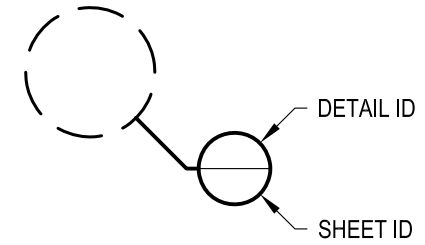


**1** EXAMPLE POST LAYOUT  
PLAN VIEW

**NOTES:**

1. TOP RAIL NOT SHOWN FOR CLARITY.
2. ALL PARTS AND COMPONENTS MADE WITH 316 STAINLESS STEEL UNLESS NOTED OTHERWISE.

**LEGEND**



□ SIDE MOUNT POST

□ □ SIDE MOUNT DOUBLE POST

☉ CENTERLINE

F.F. FINISHED FLOOR

TYP TYPICAL CONDITION APPLIES ELSEWHERE AT SIMILAR CONDITIONS

DATE	2024	DESIGNER	AGS	SHEET	1 OF 4
SCALE	NONE	RRAINIER SM42FC			

VERTICAL RAINIER SPECIFICATION DRAWING  
\*\* COMMERCIAL \*\*

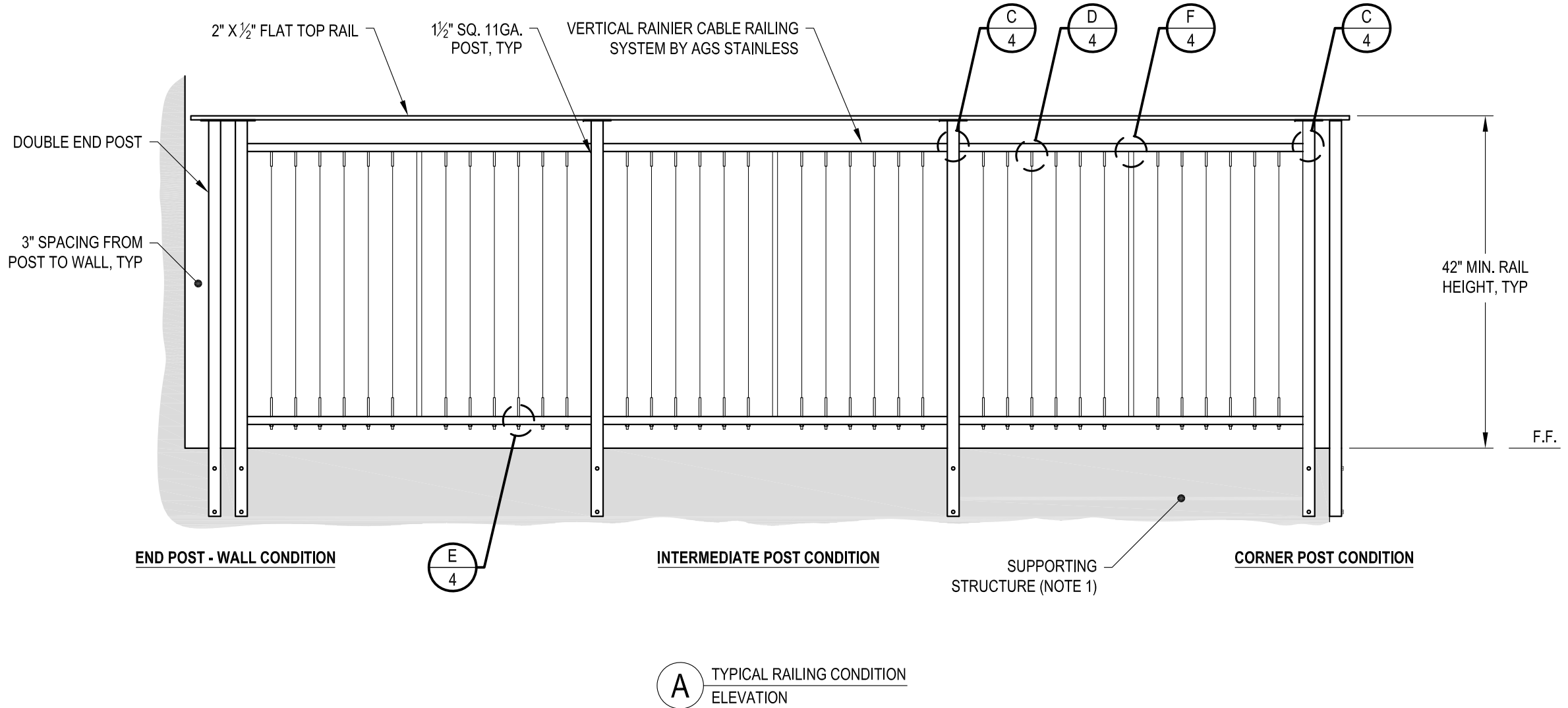
42" SIDE MOUNT - FLAT TOP

7873 NE DAY ROAD  
BAMBRIDGE ISLAND, WA 98110  
PHONE - (888) 842-9492  
FAX - (206) 842-8179  
WWW.AGSSTAINLESS.COM



**NOTES:**

- DECK STRUCTURE CAN VARY GREATLY. IT IS THE RESPONSIBILITY OF THE CUSTOMER TO VERIFY THAT THE SUPPORTING STRUCTURE IS ADEQUATE TO MEET THE LOAD REQUIREMENTS OF THE GOVERNING BUILDING CODE(S). *AGS Stainless Inc.* RECOMMENDS CONSULTING A DESIGN OR CONSTRUCTION PROFESSIONAL TO ADDRESS THESE ISSUES.



AGS Stainless Clearview® Railing Systems are designed to meet the requirements of the latest edition of the IRC/IBC.

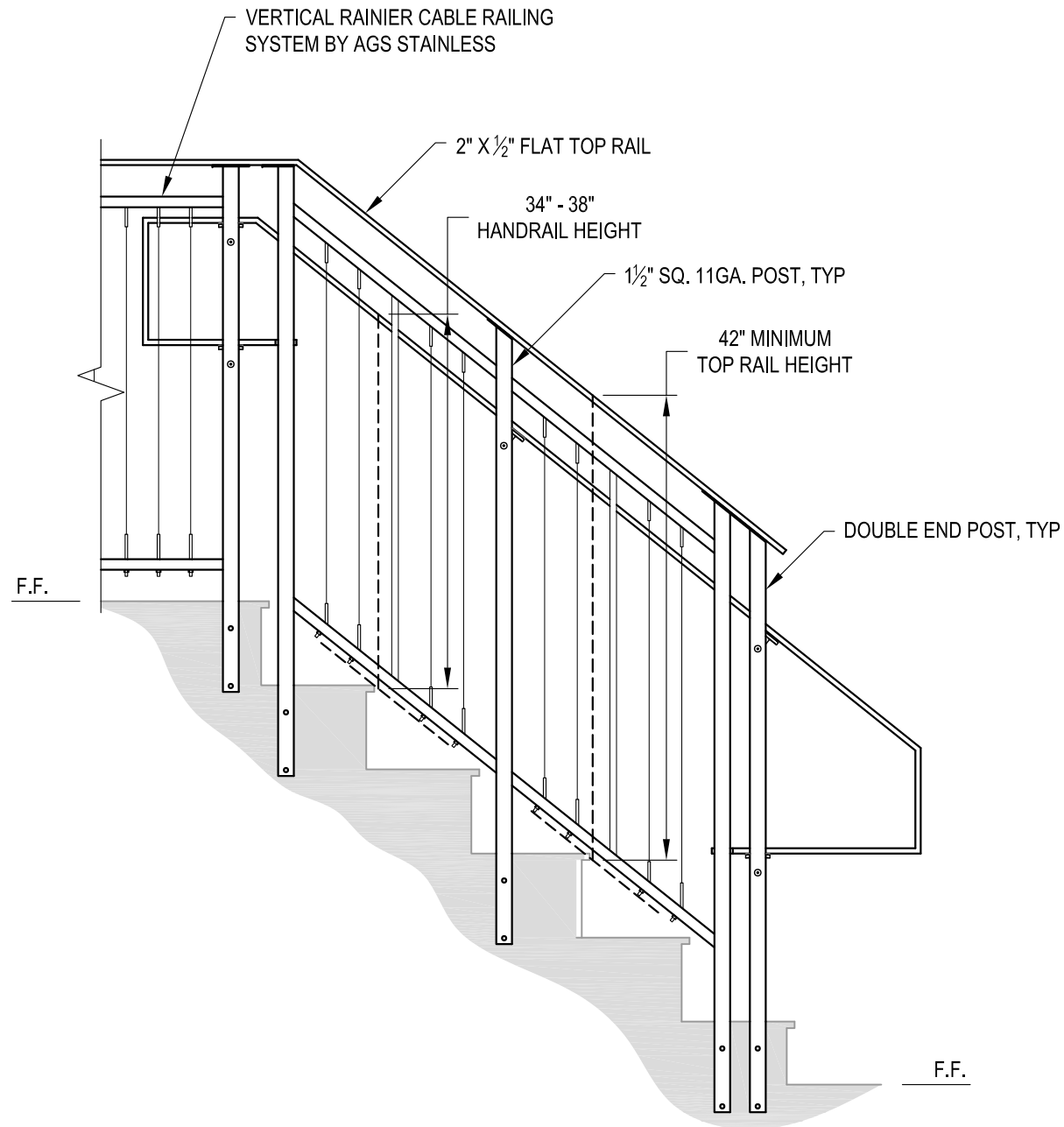
DATE	2024
SCALE	NONE
DESIGNER	AGS
SHEET	2 OF 4

VERTICAL RAINIER SPECIFICATION DRAWING  
 \*\* COMMERCIAL \*\*

42" SIDE MOUNT - FLAT TOP

7873 NE DAY ROAD  
 BAINBRIDGE ISLAND, WA 98110  
 PHONE - (888) 842-9492  
 FAX - (206) 842-8179  
 WWW.AGSSTAINLESS.COM





**A** STAIR ELEVATION

**NOTES:**

1. STAIR CONSTRUCTION VARIES GREATLY. AS-BUILT CONDITIONS MAY ALTER RAILING DESIGN, INCLUDING POST LOCATION & MOUNTING, INFILL SPACING & TOP RAIL LAYOUT.

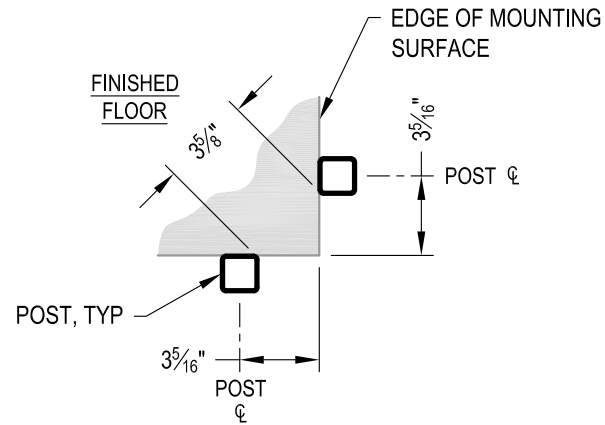
DATE	2024
SCALE	NONE
DESIGNER	AGS
SHEET	3 OF 4

VERTICAL RAINIER SPECIFICATION DRAWING  
 \*\* COMMERCIAL \*\*

42" SIDE MOUNT - FLAT TOP

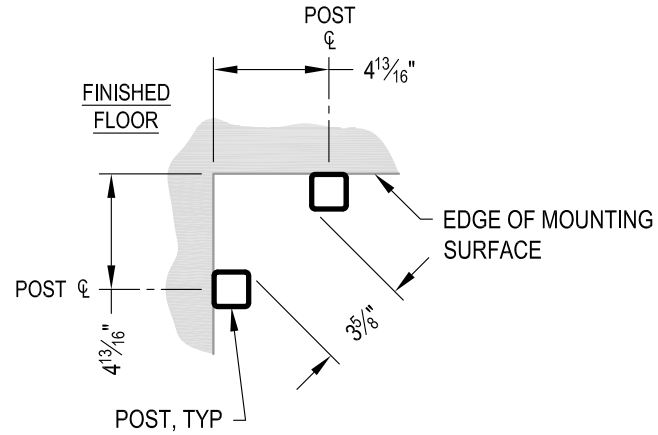
7873 MEADY ROAD  
 BAINBRIDGE ISLAND, WA 98110  
 PHONE - (888) 842-9492  
 FAX - (206) 842-8779  
 WWW.AGSSTAINLESS.COM





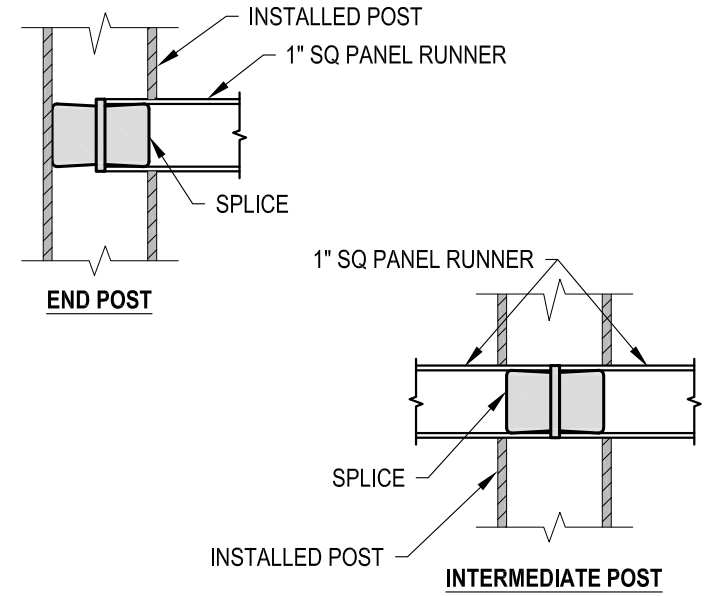
NOTE: 90° SHOWN, OTHER ANGLES SIMILAR

**A** TYPICAL 90° SIDE MOUNT OUTSIDE CORNER DETAIL

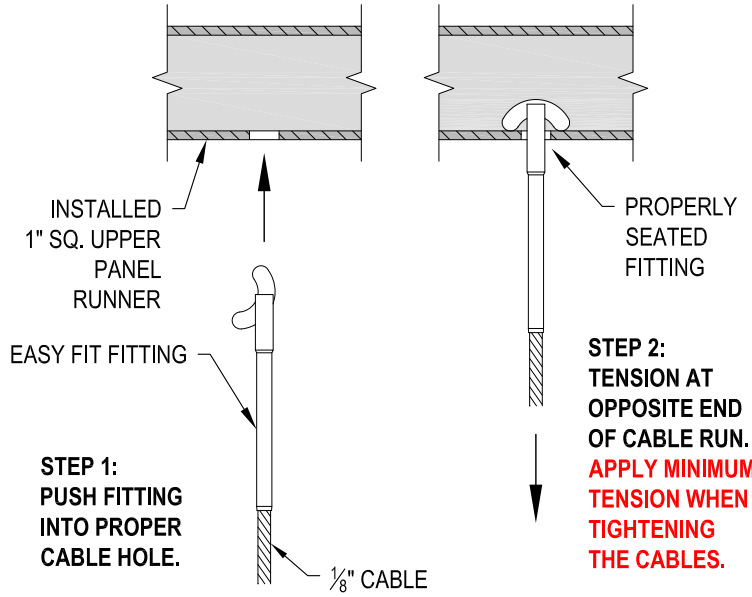


NOTE: 90° SHOWN, OTHER ANGLES SIMILAR

**B** TYPICAL 90° SIDE MOUNT INSIDE CORNER DETAIL

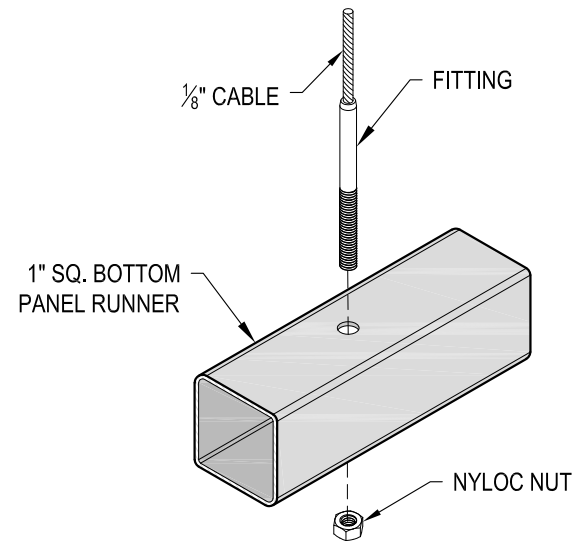


**C** FITTING INSTALLATION - VERTICAL PANEL RAIL SPLICE DETAIL

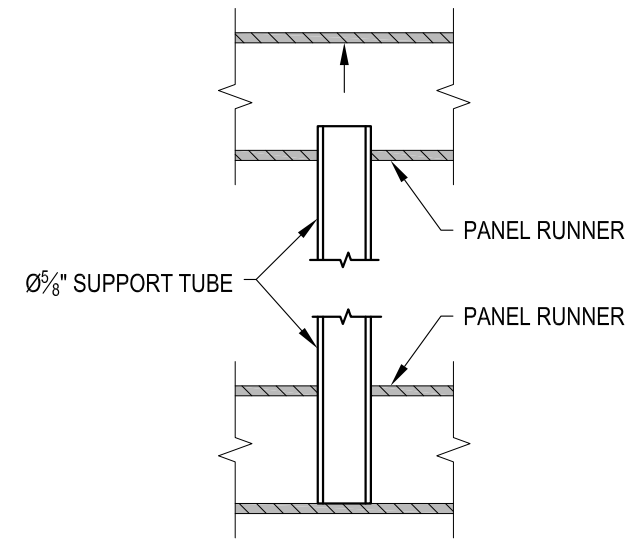


STEP 2: TENSION AT OPPOSITE END OF CABLE RUN. APPLY MINIMUM TENSION WHEN TIGHTENING THE CABLES.

**D** FITTING INSTALLATION - EASY FIT DETAIL



**E** FITTING INSTALLATION - STANDARD DETAIL



**F** PANEL SUPPORT TUBE INSTALLATION DETAIL

DESIGN	RAINIER SM42FC	DATE	2024
	SCALE	NONE	SHEET
DESIGNER		AGS	4 OF 4

VERTICAL RAINIER SPECIFICATION DRAWING  
 \*\* COMMERCIAL \*\*  
 42" SIDE MOUNT - FLAT TOP

7873 NE DAY ROAD  
 BAINBRIDGE ISLAND, WA 98110  
 PHONE - (888) 842-9492  
 FAX - (206) 842-8779  
 WWW.AGSSSTAINLESS.COM

**AGS stainless**  
 CLEARVIEW® Railing Systems