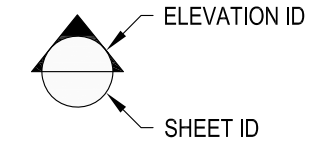


**1** EXAMPLE POST LAYOUT  
PLAN VIEW

**NOTES:**

1. TOP RAIL NOT SHOWN FOR CLARITY.
2. ALL PARTS AND COMPONENTS MADE WITH 316 STAINLESS STEEL UNLESS NOTED OTHERWISE.

**LEGEND**



□ SIDE MOUNT POST

□ □ SIDE MOUNT DOUBLE POST

☉ CENTERLINE

F.F. FINISHED FLOOR

TYP TYPICAL CONDITION APPLIES ELSEWHERE AT SIMILAR CONDITIONS

OWNER	RAINIER SM42RC
SCALE	NONE
DATE	2024
DESIGNER	AGS
SHEET	1 OF 4

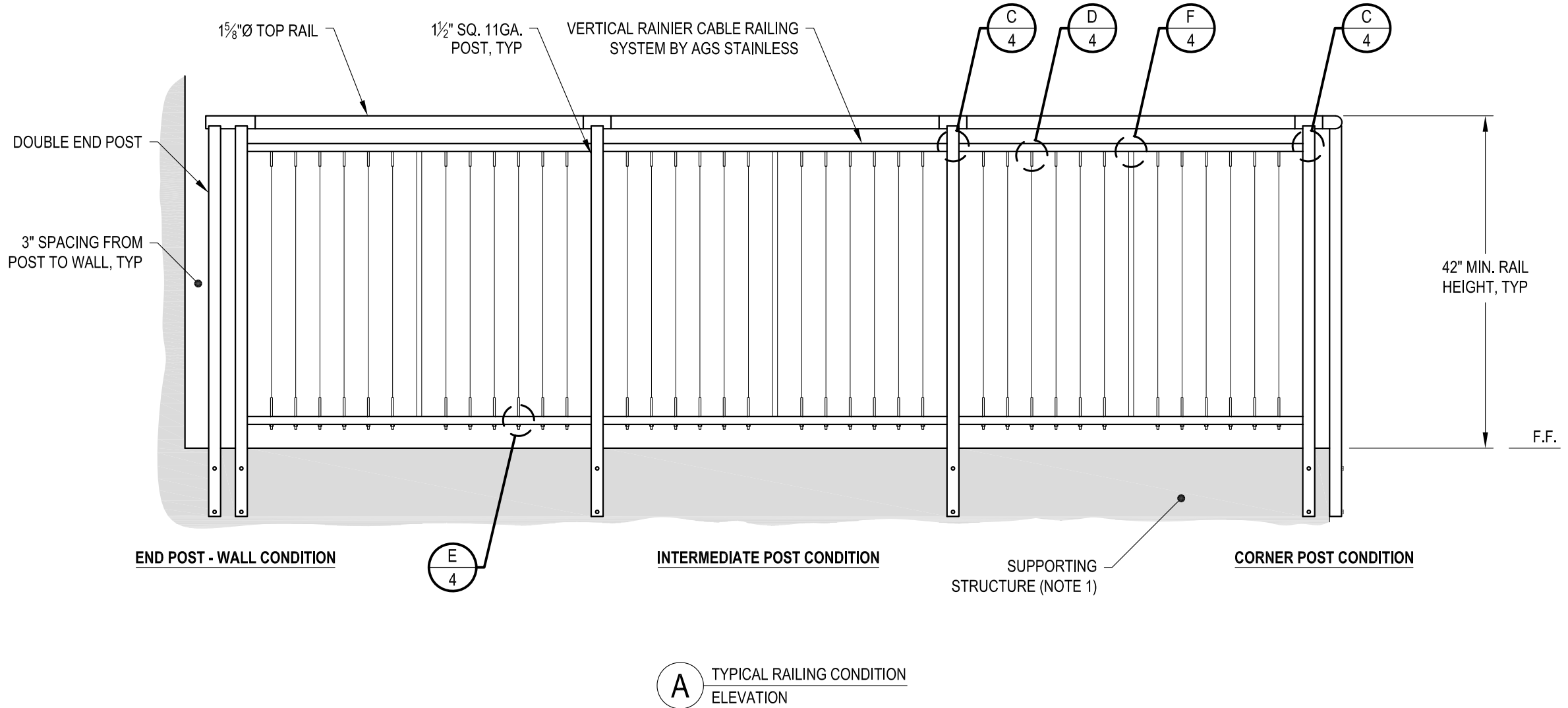
VERTICAL RAINIER SPECIFICATION DRAWING  
\*\* COMMERCIAL \*\*  
42" SIDE MOUNT - ROUND TOP

7873 NE DAY ROAD  
BAINBRIDGE ISLAND, WA 98110  
PHONE - (888) 842-9492  
FAX - (206) 842-8779  
WWW.AGSSTAINLESS.COM



**NOTES:**

- DECK STRUCTURE CAN VARY GREATLY. IT IS THE RESPONSIBILITY OF THE CUSTOMER TO VERIFY THAT THE SUPPORTING STRUCTURE IS ADEQUATE TO MEET THE LOAD REQUIREMENTS OF THE GOVERNING BUILDING CODE(S). AGS Stainless Inc. RECOMMENDS CONSULTING A DESIGN OR CONSTRUCTION PROFESSIONAL TO ADDRESS THESE ISSUES.

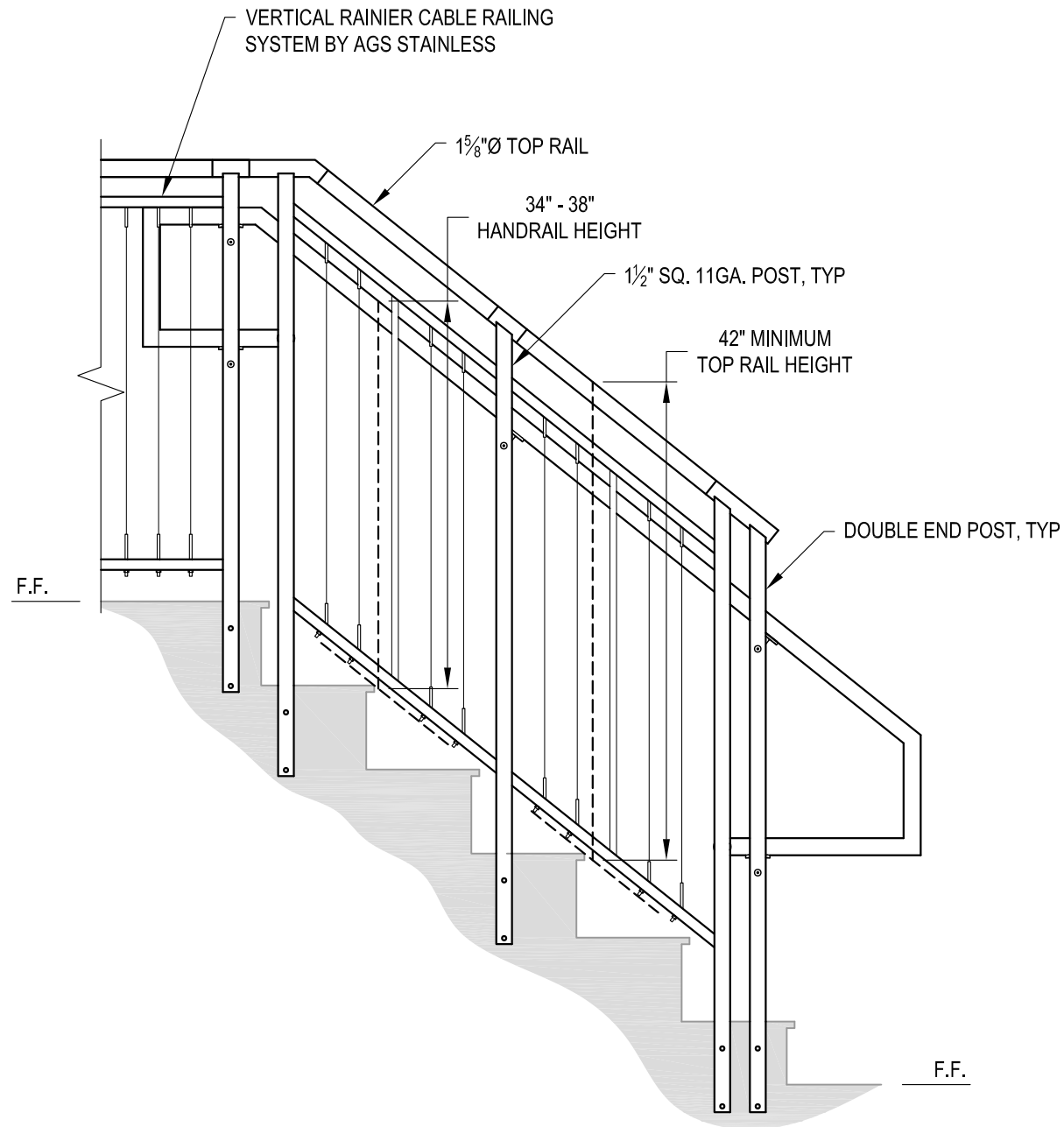


DATE	2024	SHEET	2 OF 4
SCALE	NONE		
DESIGNER	AGS		

VERTICAL RAINIER SPECIFICATION DRAWING  
 \*\* COMMERCIAL \*\*  
 42" SIDE MOUNT - ROUND TOP

7873 NE DAY ROAD  
 BAINBRIDGE ISLAND, WA 98110  
 PHONE - (888) 842-9492  
 FAX - (206) 842-8779  
 WWW.AGSSTAINLESS.COM





**A** STAIR  
ELEVATION

**NOTES:**

1. STAIR CONSTRUCTION VARIES GREATLY. AS-BUILT CONDITIONS MAY ALTER RAILING DESIGN, INCLUDING POST LOCATION & MOUNTING, INFILL SPACING & TOP RAIL LAYOUT.

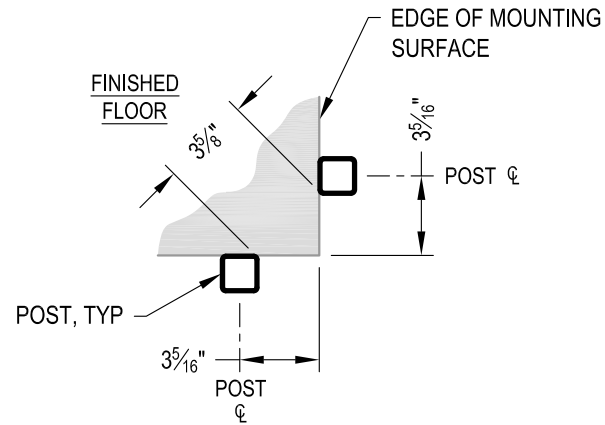
AGS Stainless Clearview® Railing Systems are designed to meet the requirements of the latest edition of the IRC/IBC.

OWNER	RAINIER SM42RC
SCALE	NONE
DESIGNER	AGS
DATE	2024
SHEET	3 OF 4

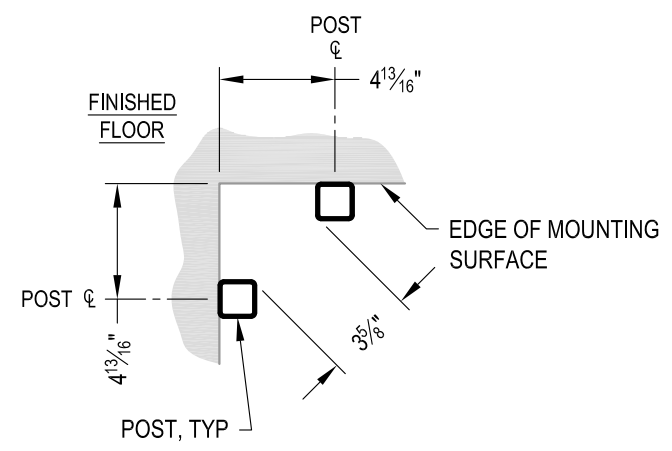
VERTICAL RAINIER SPECIFICATION DRAWING  
 \*\* COMMERCIAL \*\*  
 42" SIDE MOUNT - ROUND TOP

7873 MEADY ROAD  
 BAINBRIDGE ISLAND, WA 98110  
 PHONE - (888) 842-9492  
 FAX - (206) 842-8779  
 WWW.AGSSTAINLESS.COM

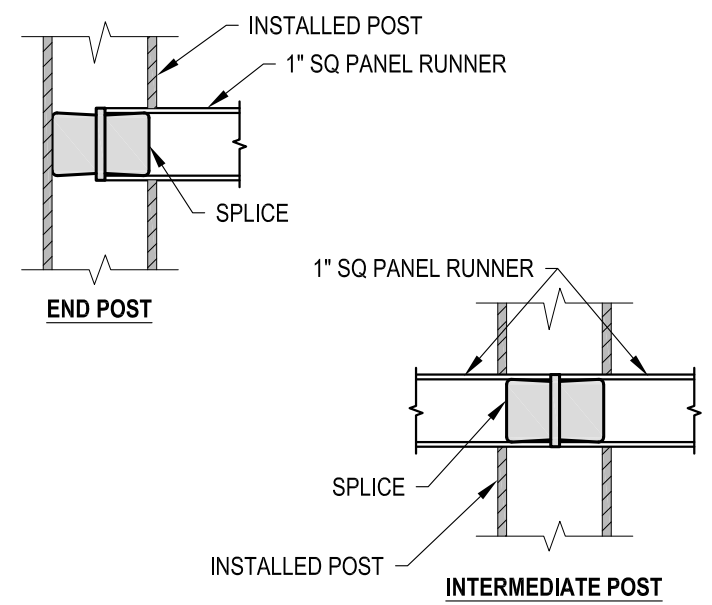




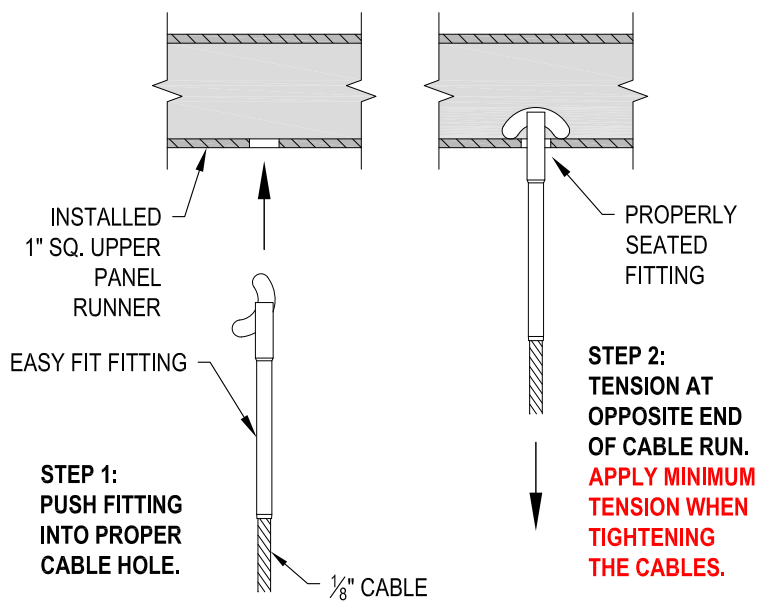
**A** TYPICAL 90° SIDE MOUNT OUTSIDE CORNER  
DETAIL



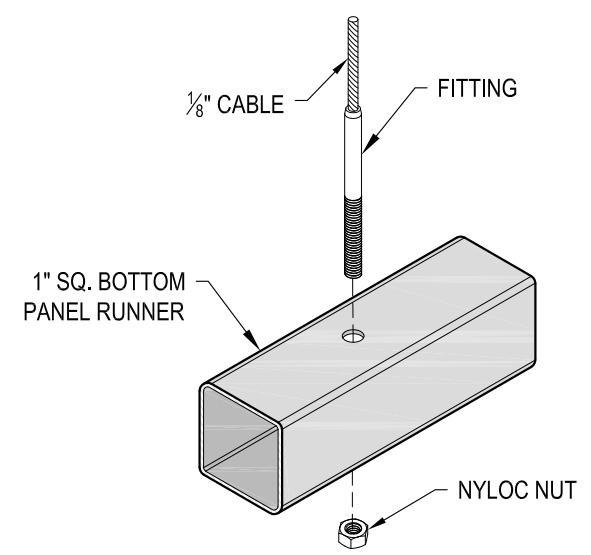
**B** TYPICAL 90° SIDE MOUNT INSIDE CORNER  
DETAIL



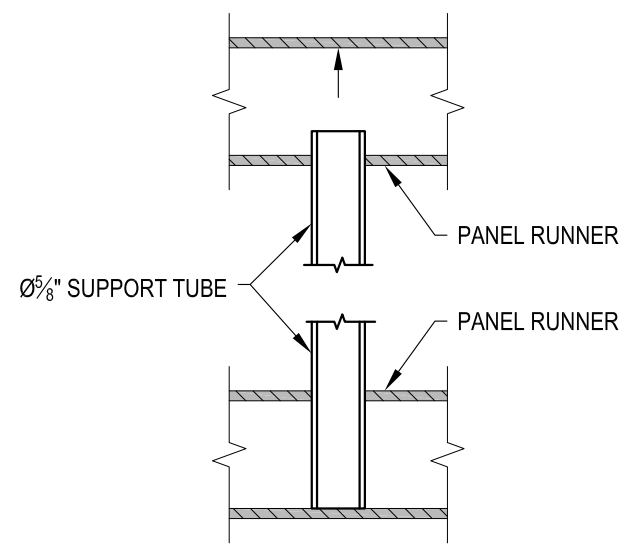
**C** FITTING INSTALLATION - VERTICAL PANEL RAIL SPLICE  
DETAIL



**D** FITTING INSTALLATION - EASY FIT  
DETAIL



**E** FITTING INSTALLATION - STANDARD  
DETAIL



**F** PANEL SUPPORT TUBE INSTALLATION  
DETAIL

AGS Stainless Clearview® Railing Systems are designed to meet the requirements of the latest edition of the IRC/IBC.

7873 NE DAY ROAD BAINBRIDGE ISLAND, WA 98110 PHONE - (888) 842-9492 FAX - (206) 842-8179 WWW.AGSSSTAINLESS.COM	RAINIER SM42RC DATE 2024 SCALE NONE DESIGNER AGS SHEET 4 OF 4
	VERTICAL RAINIER SPECIFICATION DRAWING ** COMMERCIAL ** 42" SIDE MOUNT - ROUND TOP