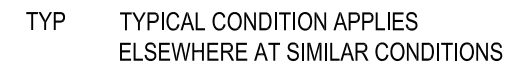


1 EXAMPLE POST LAYOUT
PLAN VIEW

NOTES:

1. TOP RAIL NOT SHOWN FOR CLARITY.
2. ALL PARTS AND COMPONENTS MADE WITH 316 STAINLESS STEEL UNLESS NOTED OTHERWISE.

LEGEND



OWNER	RAINIER TM42FC
SCALE	NONE
DATE	2024
DESIGNER	AGS
SHEET	1 OF 4

VERTICAL RAINIER SPECIFICATION DRAWING
** COMMERCIAL **

42" TOP MOUNT - FLAT TOP

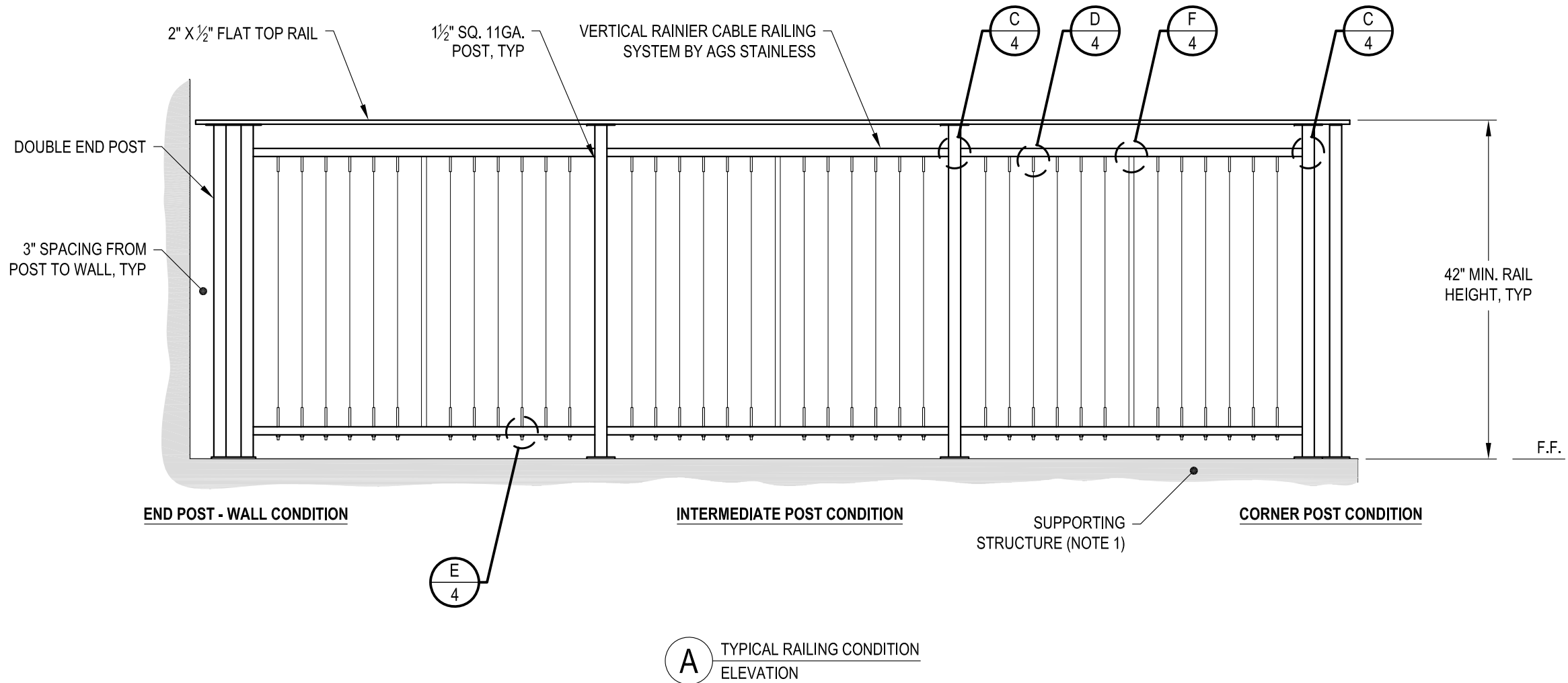
7873 NE DAY ROAD
BAINBRIDGE ISLAND, WA 98110

PHONE - (888) 842-9492
FAX - (206) 842-8179
WWW.AGSSTAINLESS.COM



NOTES:

1. DECK STRUCTURE CAN VARY GREATLY. IT IS THE RESPONSIBILITY OF THE CUSTOMER TO VERIFY THAT THE SUPPORTING STRUCTURE IS ADEQUATE TO MEET THE LOAD REQUIREMENTS OF THE GOVERNING BUILDING CODE(S). *AGS Stainless Inc.* RECOMMENDS CONSULTING A DESIGN OR CONSTRUCTION PROFESSIONAL TO ADDRESS THESE ISSUES.



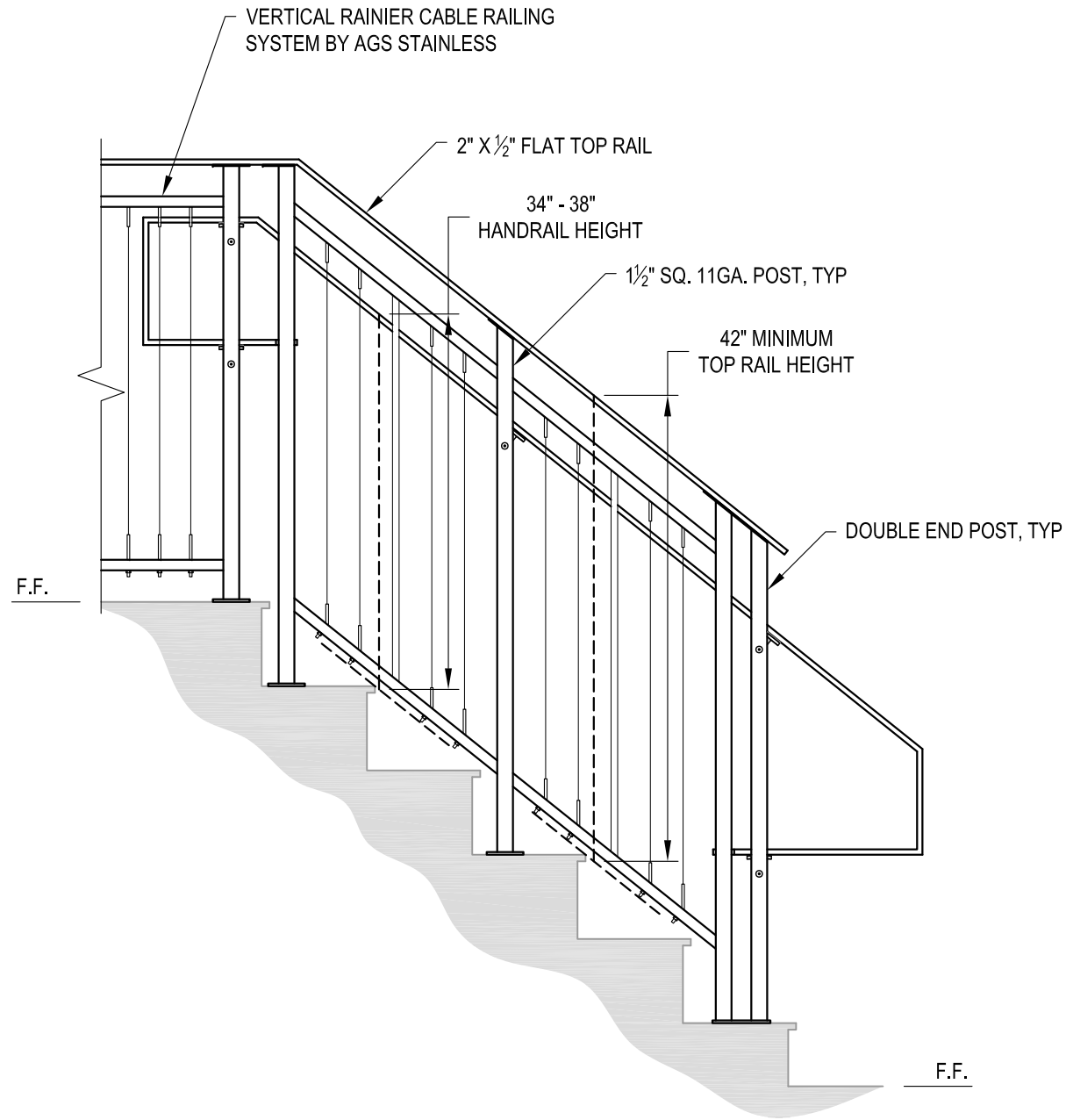
DATE	2024
SCALE	NONE
DESIGNER	AGS
SHEET	2 OF 4

VERTICAL RAINIER SPECIFICATION DRAWING
 ** COMMERCIAL **

42" TOP MOUNT - FLAT TOP

7873 NE DAY ROAD
 BAINBRIDGE ISLAND, WA 98110
 PHONE - (888) 842-9492
 FAX - (206) 842-8779
 WWW.AGSSTAINLESS.COM





A STAIR
ELEVATION

NOTES:

1. STAIR CONSTRUCTION VARIES GREATLY. AS-BUILT CONDITIONS MAY ALTER RAILING DESIGN, INCLUDING POST LOCATION & MOUNTING, INFILL SPACING & TOP RAIL LAYOUT.

AGS Stainless Clearview® Railing Systems are designed to meet the requirements of the latest edition of the IRC/IBC.

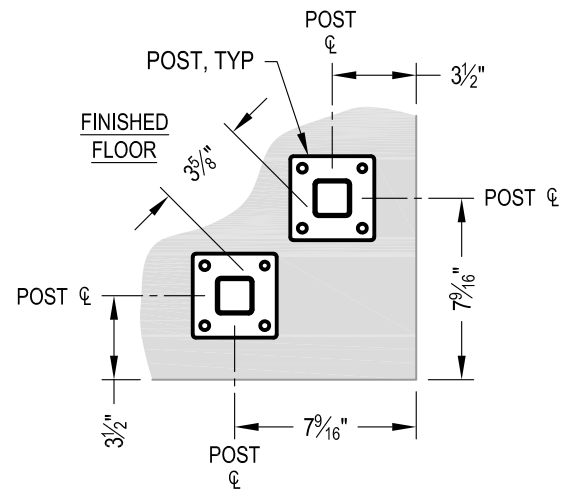
DATE	2024
SCALE	NONE
DESIGNER	AGS
SHEET	
3 OF 4	

VERTICAL RAINIER SPECIFICATION DRAWING
** COMMERCIAL **

42" TOP MOUNT - FLAT TOP

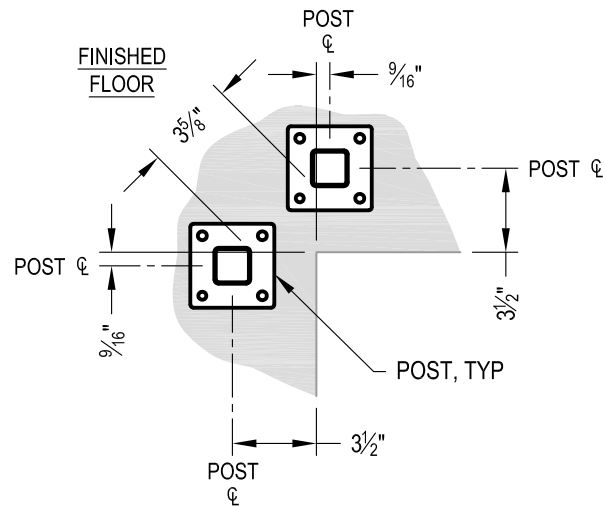
7873 MEADY ROAD
BAINBRIDGE ISLAND, WA 98110
PHONE - (888) 842-9492
FAX - (206) 842-8779
WWW.AGSSTAINLESS.COM





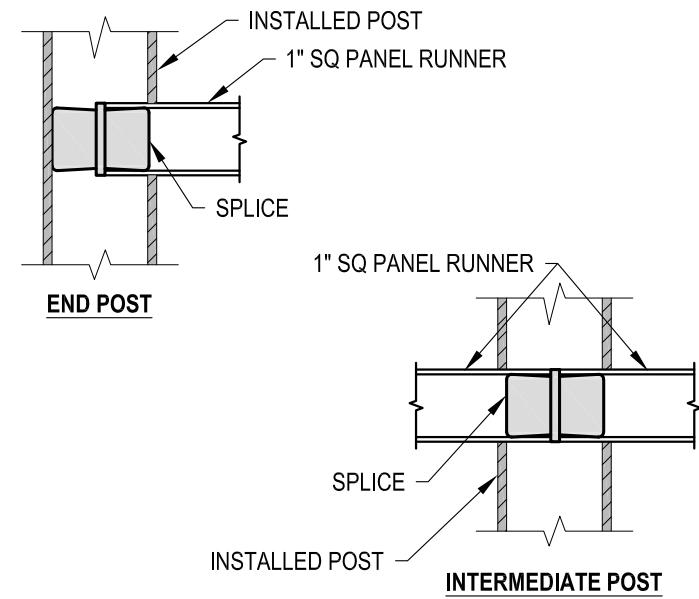
NOTE: 90° SHOWN, OTHER ANGLES SIMILAR

A TYPICAL 90° TOP MOUNT OUTSIDE CORNER DETAIL

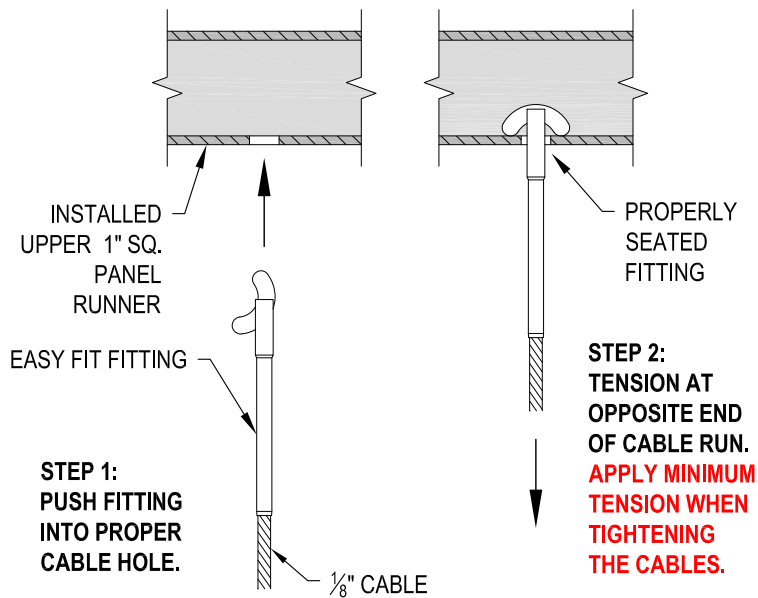


NOTE: 90° SHOWN, OTHER ANGLES SIMILAR

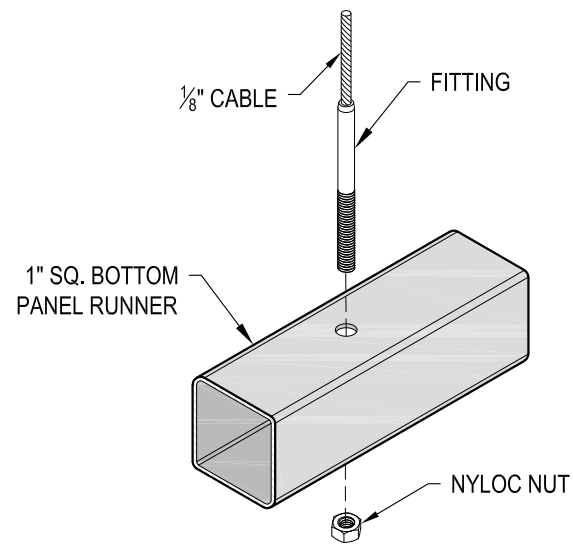
B TYPICAL 90° TOP MOUNT INSIDE CORNER DETAIL



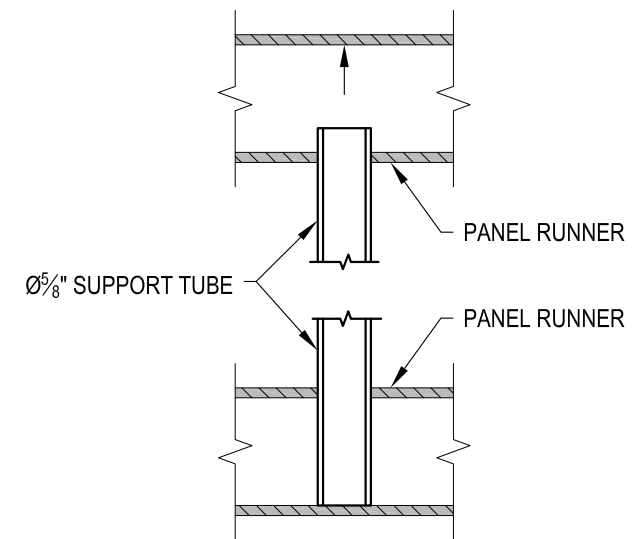
C FITTING INSTALLATION - VERTICAL PANEL RAIL SPLICE DETAIL



D FITTING INSTALLATION - EASY FIT DETAIL



E FITTING INSTALLATION - STANDARD DETAIL



F PANEL SUPPORT TUBE INSTALLATION DETAIL

AGS Stainless Clearview® Railing Systems are designed to meet the requirements of the latest edition of the IRC/IBC.

OWNER: RAINIER TM42FC
 SCALE: NONE
 DESIGNER: AGS
 DATE: 2024
 SHEET: 4 OF 4

VERTICAL RAINIER SPECIFICATION DRAWING
 ** COMMERCIAL **

42" TOP MOUNT - FLAT TOP

7873 NE DAY ROAD
 BAINBRIDGE ISLAND, WA 98110
 PHONE - (888) 842-9492
 FAX - (206) 842-8179
 WWW.AGSSTAINLESS.COM

AGS stainless
 CLEARVIEW® Railing Systems