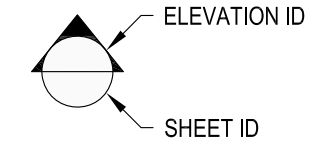
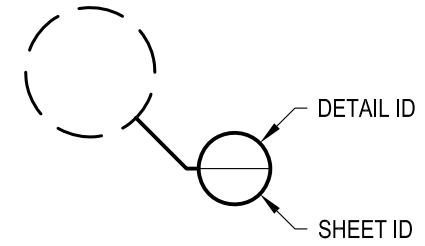


**1** EXAMPLE POST LAYOUT  
PLAN VIEW

**NOTES:**

1. TOP RAIL NOT SHOWN FOR CLARITY.
2. ALL PARTS AND COMPONENTS MADE WITH 316 STAINLESS STEEL UNLESS NOTED OTHERWISE.

**LEGEND**



|          |                |
|----------|----------------|
| OWNER    | RAINIER TM42RC |
| SCALE    | NONE           |
| DATE     | 2024           |
| DESIGNER | AGS            |
| SHEET    | 1 OF 4         |

VERTICAL RAINIER SPECIFICATION DRAWING  
\*\* COMMERCIAL \*\*

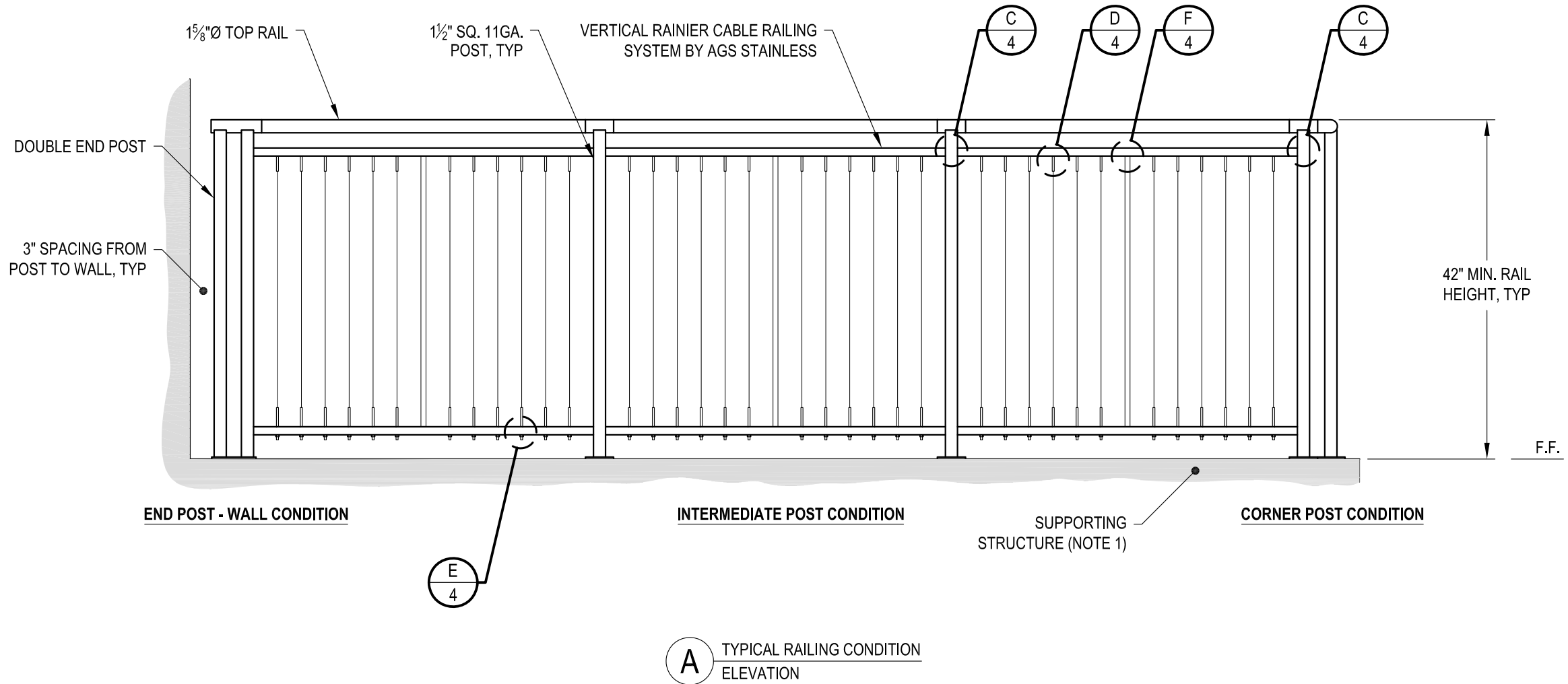
42" TOP MOUNT - ROUND TOP

7873 NE DAY ROAD  
BAINBRIDGE ISLAND, WA 98110  
PHONE - (888) 842-9492  
FAX - (206) 842-8179  
WWW.AGSSTAINLESS.COM



**NOTES:**

- DECK STRUCTURE CAN VARY GREATLY. IT IS THE RESPONSIBILITY OF THE CUSTOMER TO VERIFY THAT THE SUPPORTING STRUCTURE IS ADEQUATE TO MEET THE LOAD REQUIREMENTS OF THE GOVERNING BUILDING CODE(S). *AGS Stainless Inc.* RECOMMENDS CONSULTING A DESIGN OR CONSTRUCTION PROFESSIONAL TO ADDRESS THESE ISSUES.



|          |        |
|----------|--------|
| DATE     | 2024   |
| SCALE    | NONE   |
| DESIGNER | AGS    |
| SHEET    | 2 OF 4 |

VERTICAL RAINER SPECIFICATION DRAWING

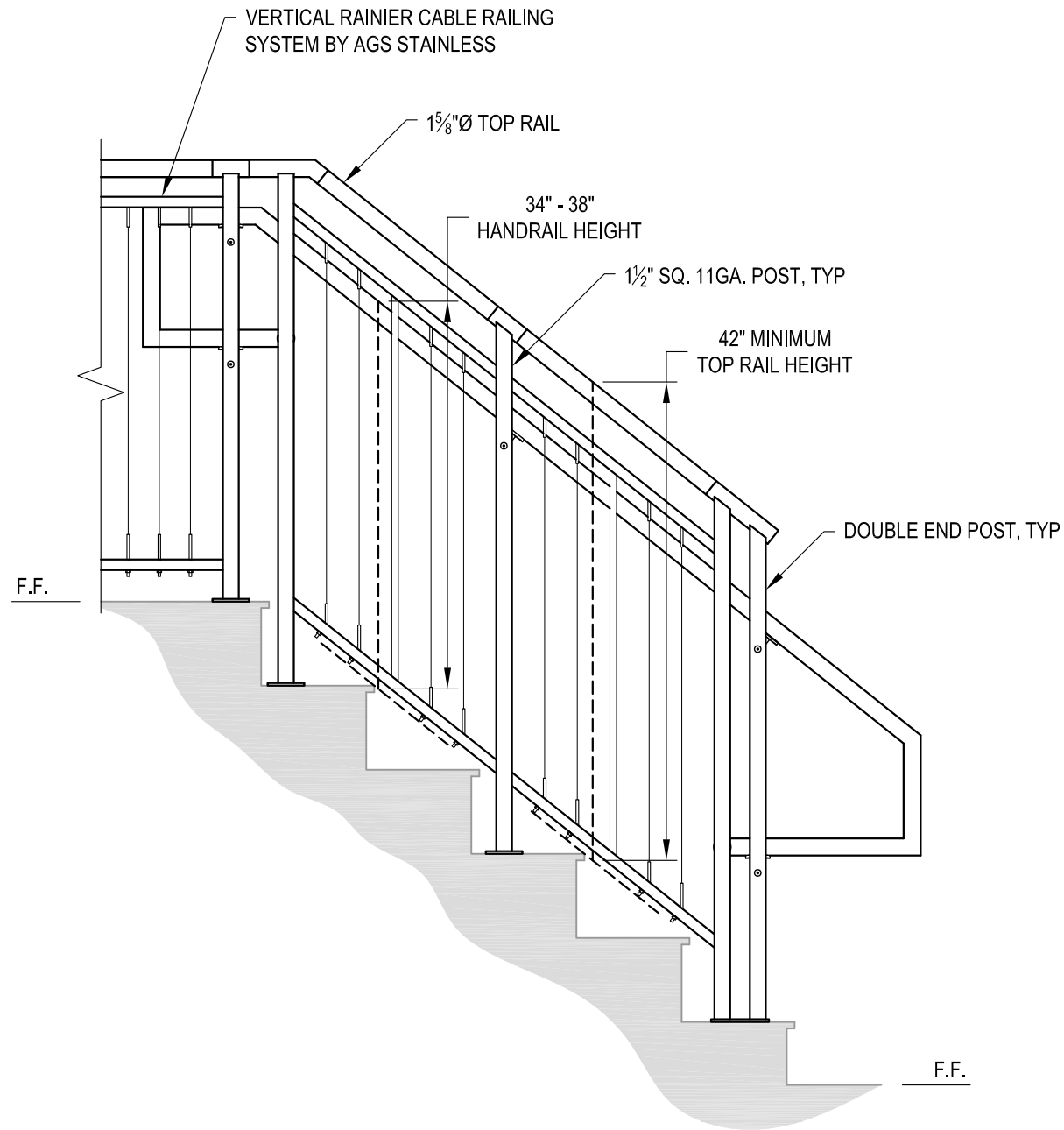
\*\* COMMERCIAL \*\*

42" TOP MOUNT - ROUND TOP

7873 NE DAY ROAD  
BAMBRIDGE ISLAND, WA 98110

PHONE - (888) 842-9492  
FAX - (206) 842-8179  
WWW.AGSSTAINLESS.COM





**A** STAIR  
ELEVATION

**NOTES:**

1. STAIR CONSTRUCTION VARIES GREATLY. AS-BUILT CONDITIONS MAY ALTER RAILING DESIGN, INCLUDING POST LOCATION & MOUNTING, INFILL SPACING & TOP RAIL LAYOUT.

AGS Stainless Clearview® Railing Systems are designed to meet the requirements of the latest edition of the IRC/IBC.

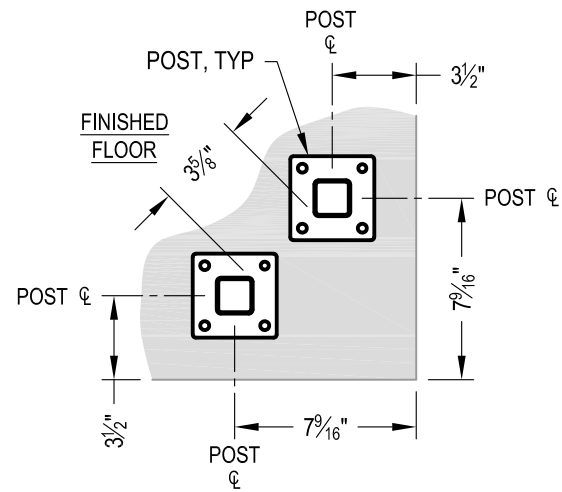
|          |                |       |        |
|----------|----------------|-------|--------|
| OWNER    | RAINIER TM42RC |       |        |
| SCALE    | NONE           | DATE  | 2024   |
| DESIGNER | AGS            | SHEET | 3 OF 4 |

VERTICAL RAINIER SPECIFICATION DRAWING  
\*\* COMMERCIAL \*\*

42" TOP MOUNT - ROUND TOP

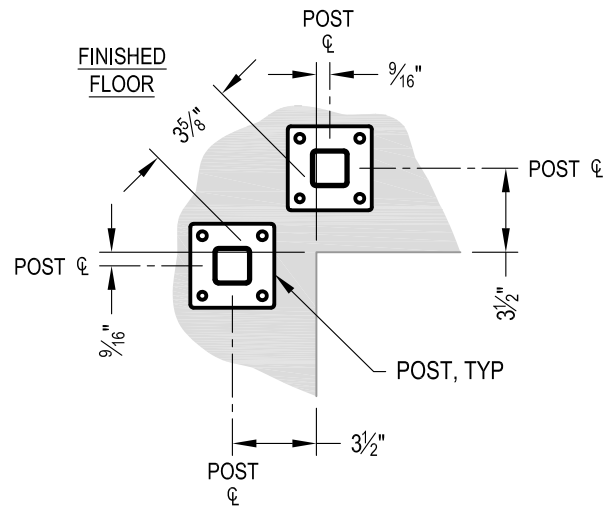
7873 MEADY ROAD  
BAINBRIDGE ISLAND, WA 98110  
PHONE - (888) 842-9492  
FAX - (206) 842-8779  
WWW.AGSSTAINLESS.COM





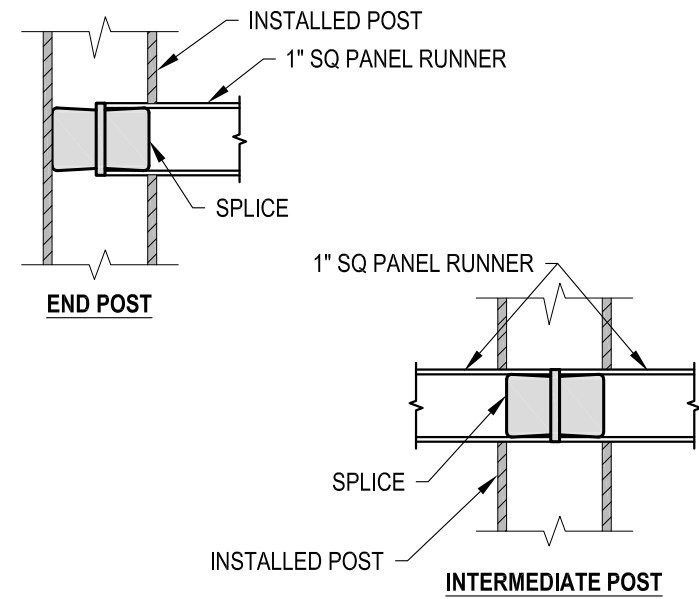
NOTE: 90° SHOWN, OTHER ANGLES SIMILAR

**A** TYPICAL 90° TOP MOUNT OUTSIDE CORNER DETAIL

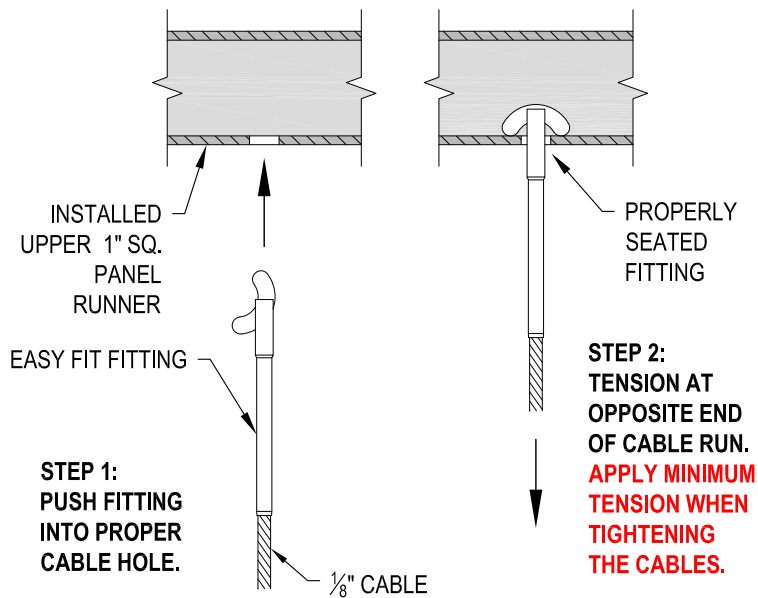


NOTE: 90° SHOWN, OTHER ANGLES SIMILAR

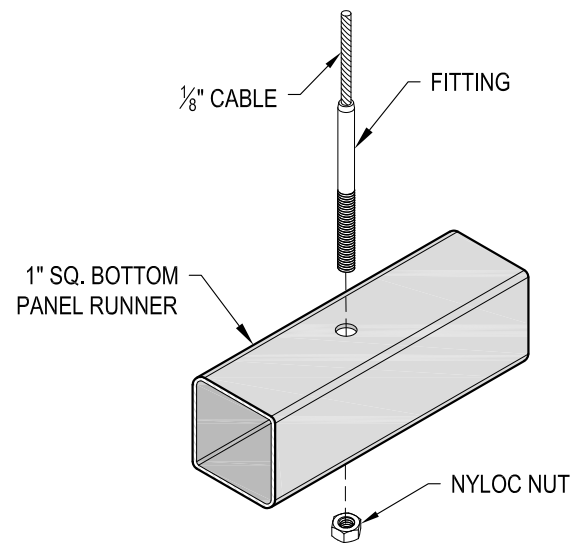
**B** TYPICAL 90° TOP MOUNT INSIDE CORNER DETAIL



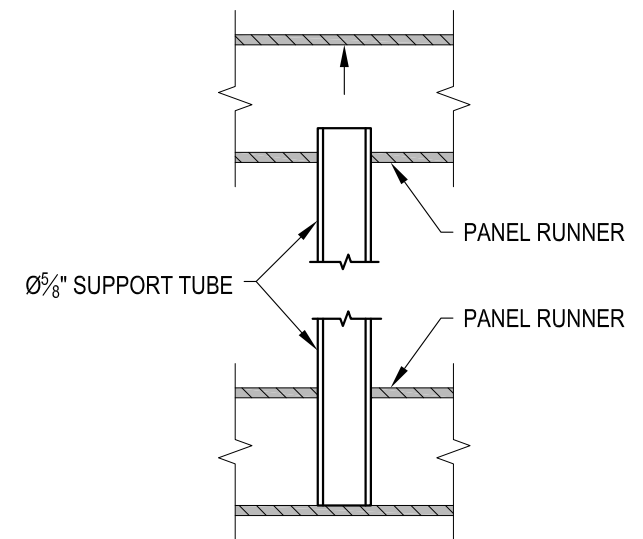
**C** FITTING INSTALLATION - VERTICAL PANEL RAIL SPLICE DETAIL



**D** FITTING INSTALLATION - EASY FIT DETAIL



**E** FITTING INSTALLATION - STANDARD DETAIL



**F** PANEL SUPPORT TUBE INSTALLATION DETAIL