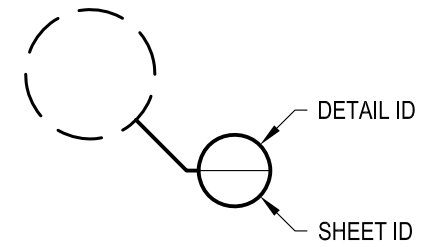


1 EXAMPLE POST LAYOUT
PLAN VIEW

NOTES:

1. TOP RAIL NOT SHOWN FOR CLARITY.
2. ALL PARTS AND COMPONENTS MADE WITH 316 STAINLESS STEEL UNLESS NOTED OTHERWISE.

LEGEND



□ CORE MOUNT POST

□ □ CORE MOUNT DOUBLE POST

ϕ CENTERLINE

F.F. FINISHED FLOOR

TYP TYPICAL CONDITION APPLIES
ELSEWHERE AT SIMILAR CONDITIONS

DWS*	GLACIER CM42F	DATE	2024
	SCALE	NONE	SHEET
	DESIGNER	AGS	1 OF 4

GLACIER SPECIFICATION DRAWING
** RESIDENTIAL **

42" CORE MOUNT - FLAT TOP

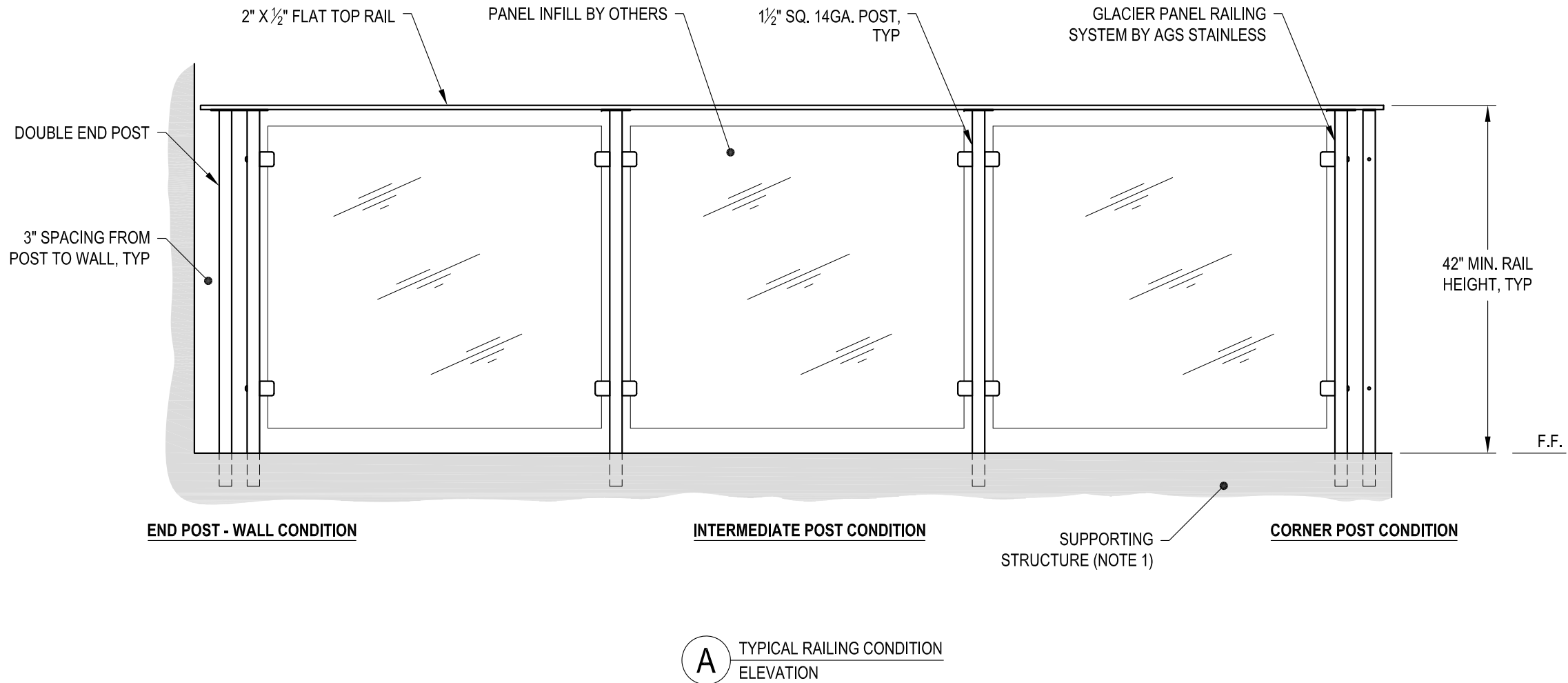
7873 NE DAY ROAD
BAMBRIDGE ISLAND, WA 98110

PHONE - (888) 842-9492
FAX - (206) 842-8179
WWW.AGSSTAINLESS.COM



NOTES:

- DECK STRUCTURE CAN VARY GREATLY. IT IS THE RESPONSIBILITY OF THE CUSTOMER TO VERIFY THAT THE SUPPORTING STRUCTURE IS ADEQUATE TO MEET THE LOAD REQUIREMENTS OF THE GOVERNING BUILDING CODE(S). AGS Stainless Inc. RECOMMENDS CONSULTING A DESIGN OR CONSTRUCTION PROFESSIONAL TO ADDRESS THESE ISSUES.

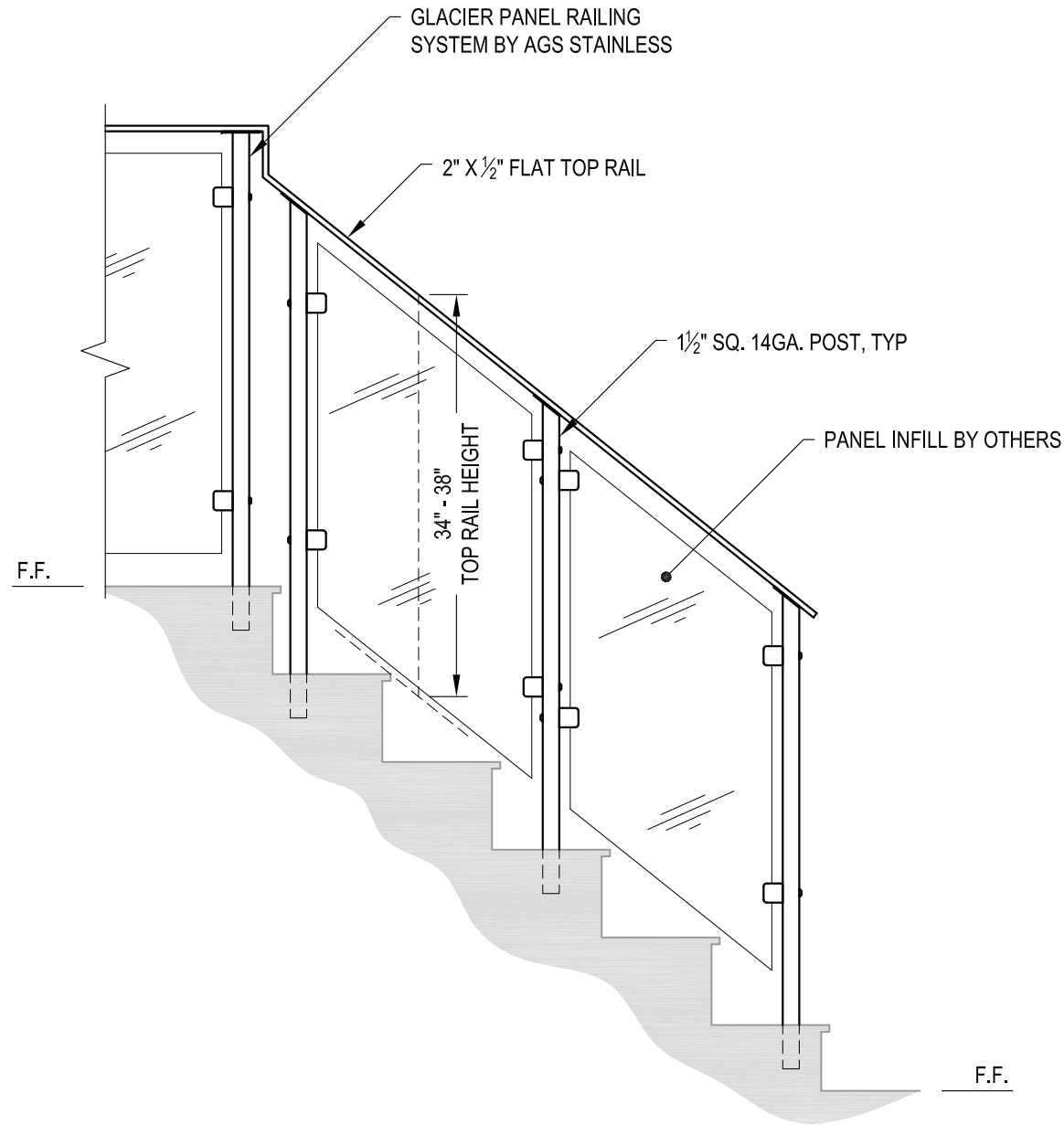


DATE	2024	SHEET	2 OF 4
SCALE	NONE		
DESIGNER	AGS		

GLACIER SPECIFICATION DRAWING
 ** RESIDENTIAL **
 42" CORE MOUNT - FLAT TOP

7873 NE DAY ROAD
 BAINBRIDGE ISLAND, WA 98110
 PHONE - (888) 842-9492
 FAX - (206) 842-8179
 WWW.AGSSTAINLESS.COM





A STAIR
ELEVATION

AGS Stainless Clearview® Railing Systems are designed to meet the requirements of the latest edition of the IRC/IBC.

NOTES:

1. STAIR CONSTRUCTION VARIES GREATLY. AS-BUILT CONDITIONS MAY ALTER RAILING DESIGN, INCLUDING POST LOCATION & MOUNTING, INFILL SPACING & TOP RAIL LAYOUT.

7873 MEADY ROAD
BAINBRIDGE ISLAND, WA 98110
PHONE - (888) 842-9492
FAX - (206) 842-8779
WWW.AGSSTAINLESS.COM

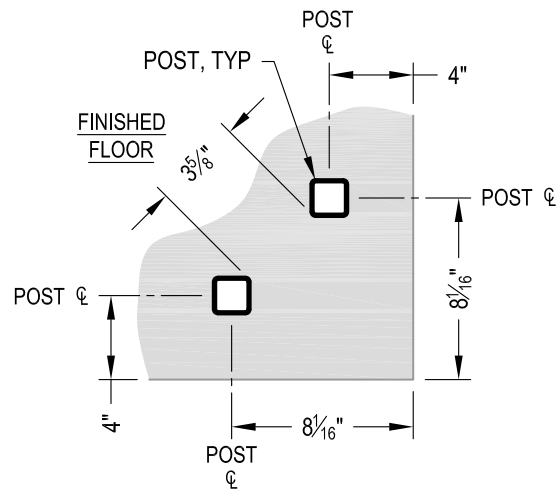


GLACIER SPECIFICATION DRAWING
** RESIDENTIAL **

42" CORE MOUNT - FLAT TOP

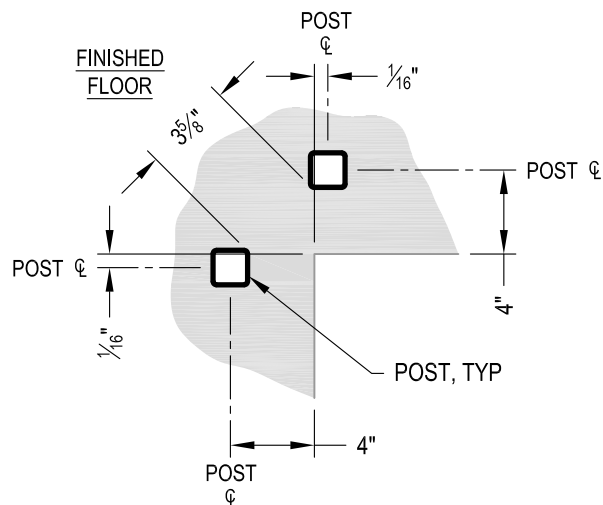
DESIGNER	AGS
SCALE	NONE
DATE	2024
SHEET	3 OF 4

PROJECT: GLACIER CM42F



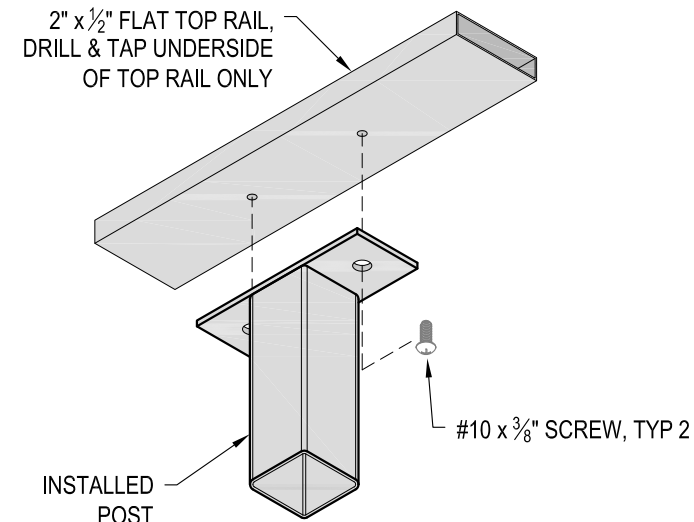
NOTE: 90° SHOWN, OTHER ANGLES SIMILAR

A TYPICAL 90° CORE MOUNT OUTSIDE CORNER DETAIL

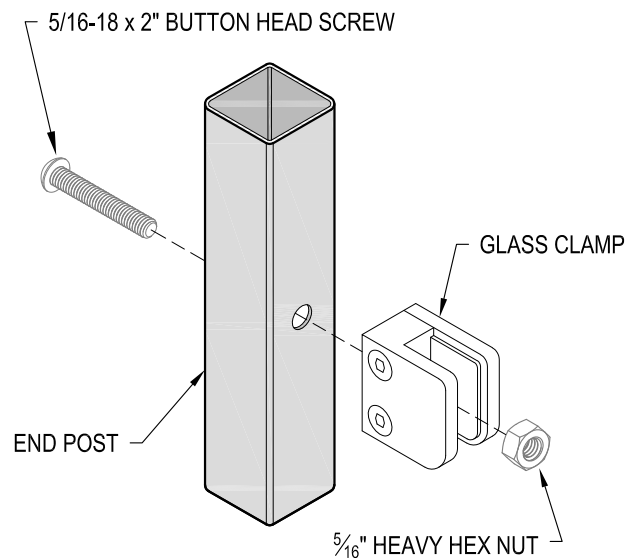


NOTE: 90° SHOWN, OTHER ANGLES SIMILAR

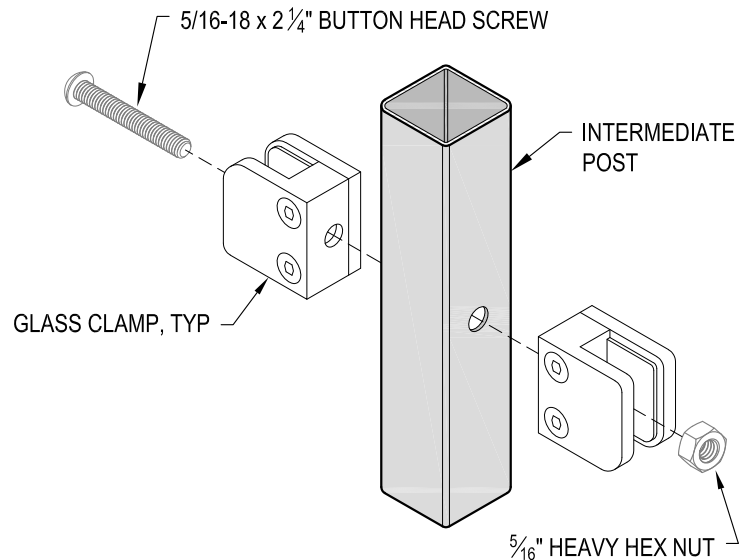
B TYPICAL 90° CORE MOUNT INSIDE CORNER DETAIL



C TOP RAIL INSTALLATION - FLAT DETAIL



D END POST GLASS CLAMP INSTALLATION DETAIL



E INTERMEDIATE POST GLASS CLAMP INSTALLATION DETAIL

AGS Stainless Clearview® Railing Systems are designed to meet the requirements of the latest edition of the IRC/IBC.

DWS*	GLACIER CM42F	DATE	2024
	SCALE	NONE	SHEET
DESIGNER		AGS	4 OF 4
GLACIER SPECIFICATION DRAWING			
** RESIDENTIAL **			
42" CORE MOUNT - FLAT TOP			
7873 MEADY ROAD BAMBRIDGE ISLAND, WA 98110			
PHONE - (888) 842-9492			
FAX - (206) 842-8779			
WWW.AGSSTAINLESS.COM			
 CLEARVIEW® Railing Systems			