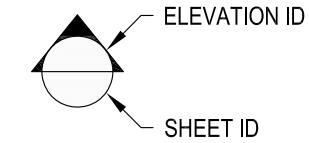
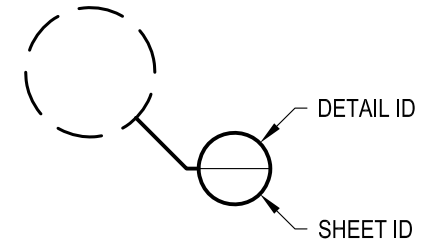


**1** EXAMPLE POST LAYOUT  
PLAN VIEW

**NOTES:**

1. TOP RAIL NOT SHOWN FOR CLARITY.
2. ALL PARTS AND COMPONENTS MADE WITH 316 STAINLESS STEEL UNLESS NOTED OTHERWISE.

**LEGEND**



□ SIDE MOUNT POST

⊕ CENTERLINE

F.F. FINISHED FLOOR

TYP TYPICAL CONDITION APPLIES ELSEWHERE AT SIMILAR CONDITIONS

DATE	GLACIER SM36W
SCALE	NONE
DESIGNER	AGS
SHEET	1 OF 4

GLACIER SPECIFICATION DRAWING  
\*\* RESIDENTIAL \*\*

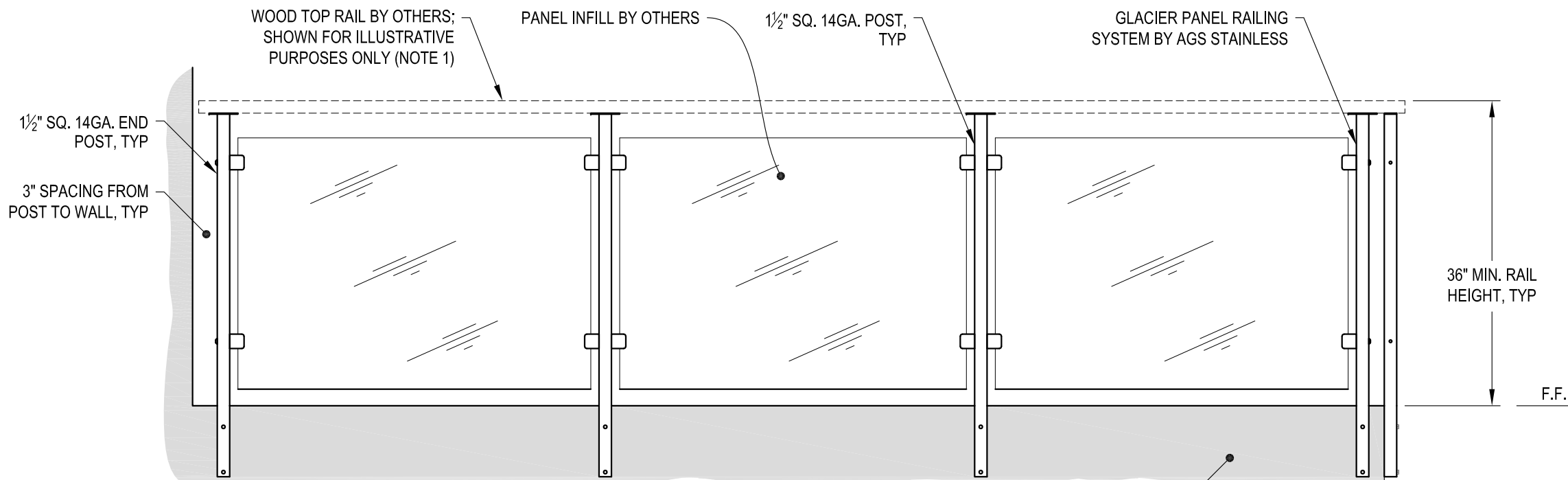
36" SIDE MOUNT - WOOD TOP

7873 NE DAY ROAD  
BAMBRIDGE ISLAND, WA 98110  
PHONE - (888) 842-9492  
FAX - (206) 842-8179  
WWW.AGSSTAINLESS.COM



**NOTES:**

1. TOP RAIL SHOULD BE SELECTED SO THAT ALL GOVERNING CODE REQUIREMENTS ARE SATISFIED. THESE INCLUDE SHAPE, STRENGTH AND RAILING HEIGHT.
2. DECK STRUCTURE CAN VARY GREATLY. IT IS THE RESPONSIBILITY OF THE CUSTOMER TO VERIFY THAT THE SUPPORTING STRUCTURE IS ADEQUATE TO MEET THE LOAD REQUIREMENTS OF THE GOVERNING BUILDING CODE(S). AGS Stainless Inc. RECOMMENDS CONSULTING A DESIGN OR CONSTRUCTION PROFESSIONAL TO ADDRESS THESE ISSUES.



**END POST - WALL CONDITION**

**INTERMEDIATE POST CONDITION**

**SUPPORTING STRUCTURE (NOTE 2)**

**CORNER POST CONDITION**

**A TYPICAL RAILING CONDITION ELEVATION**

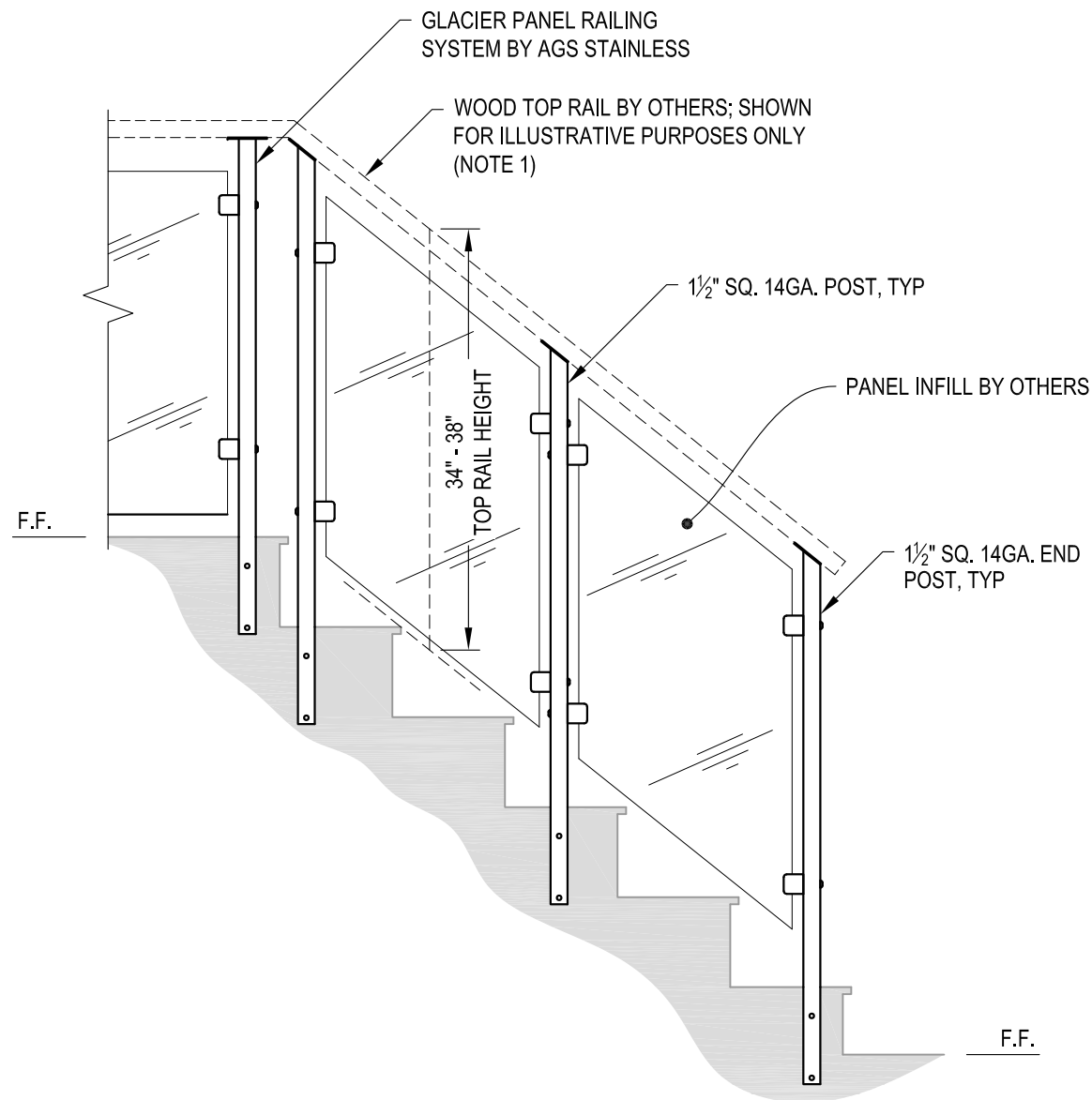
DATE	2024
SCALE	NONE
DESIGNER	AGS
SHEET	2 OF 4

GLACIER SPECIFICATION DRAWING  
\*\* RESIDENTIAL \*\*

36" SIDE MOUNT - WOOD TOP

7873 NE DAY ROAD  
BAMBRIDGE ISLAND, WA 98110  
PHONE - (888) 842-9492  
FAX - (206) 842-8179  
WWW.AGSSTAINLESS.COM





**A** STAIR  
ELEVATION

**NOTES:**

1. TOP RAIL SHOULD BE SELECTED SO THAT ALL GOVERNING CODE REQUIREMENTS ARE SATISFIED. THESE INCLUDE SHAPE, STRENGTH AND RAILING HEIGHT.
2. STAIR CONSTRUCTION VARIES GREATLY. AS-BUILT CONDITIONS MAY ALTER RAILING DESIGN, INCLUDING POST LOCATION & MOUNTING, INFILL SPACING & TOP RAIL LAYOUT.

AGS Stainless Clearview® Railing Systems are designed to meet the requirements of the latest edition of the IRC/IBC.

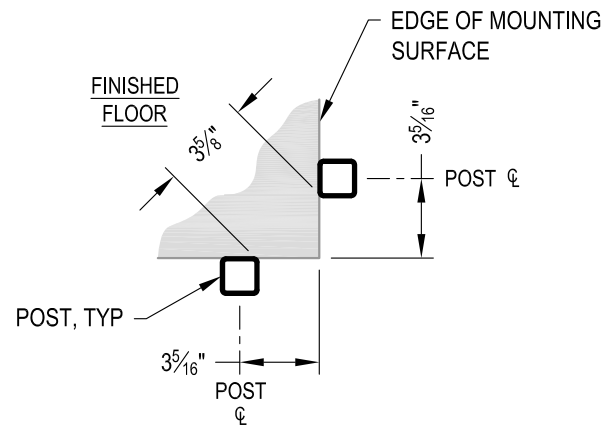
DATE	GLACIER SM36W
SCALE	NONE
DESIGNER	AGS
DATE	2024
SHEET	3 OF 4

GLACIER SPECIFICATION DRAWING  
\*\* RESIDENTIAL \*\*

36" SIDE MOUNT - WOOD TOP

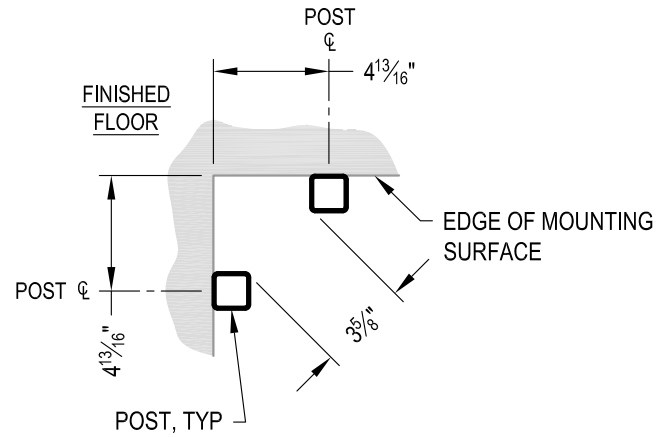
7873 MEADY ROAD  
BAMBRIDGE ISLAND, WA 98110  
PHONE - (888) 842-9492  
FAX - (206) 842-8179  
WWW.AGSSTAINLESS.COM





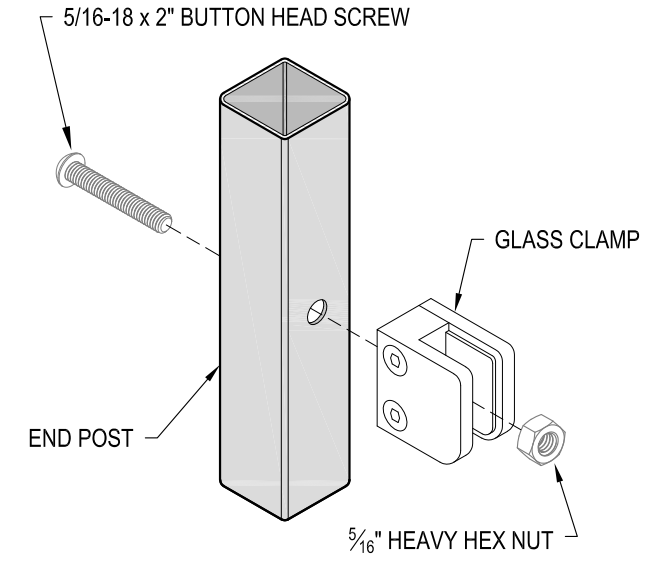
**NOTE: 90° SHOWN, OTHER ANGLES SIMILAR**

**A** TYPICAL SIDE MOUNT OUTSIDE CORNER  
DETAIL

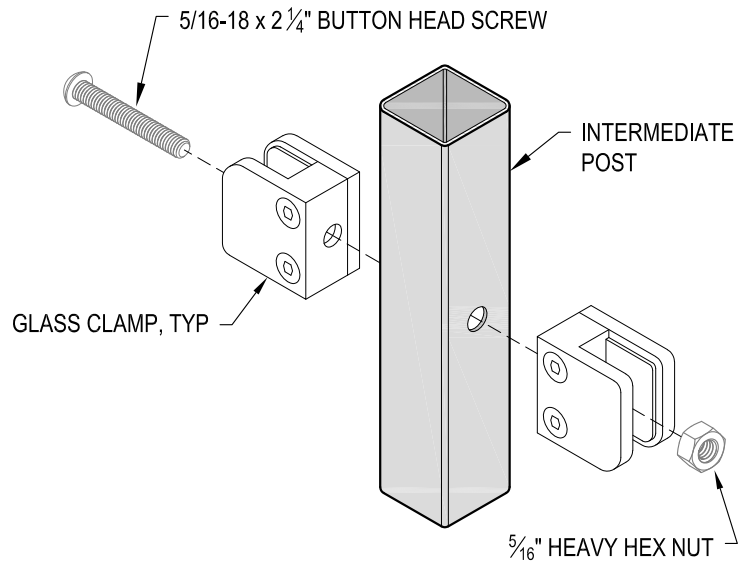


**NOTE: 90° SHOWN, OTHER ANGLES SIMILAR**

**B** TYPICAL SIDE MOUNT INSIDE CORNER  
DETAIL



**C** END POST GLASS CLAMP INSTALLATION  
DETAIL



**D** INTERMEDIATE POST GLASS CLAMP INSTALLATION  
DETAIL