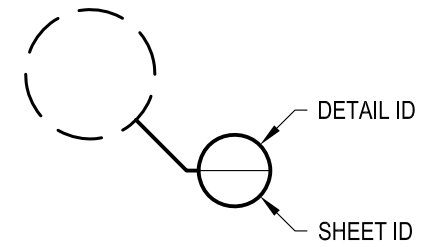


1 EXAMPLE POST LAYOUT
PLAN VIEW

NOTES:

1. TOP RAIL NOT SHOWN FOR CLARITY.
2. ALL PARTS AND COMPONENTS MADE WITH 316 STAINLESS STEEL UNLESS NOTED OTHERWISE.

LEGEND



□ SIDE MOUNT POST

□ □ SIDE MOUNT DOUBLE POST

⊕ CENTERLINE

F.F. FINISHED FLOOR

TYP TYPICAL CONDITION APPLIES ELSEWHERE AT SIMILAR CONDITIONS

OWNER	GLACIER SM42R
SCALE	NONE
DATE	2024
DESIGNER	AGS
SHEET	1 OF 4

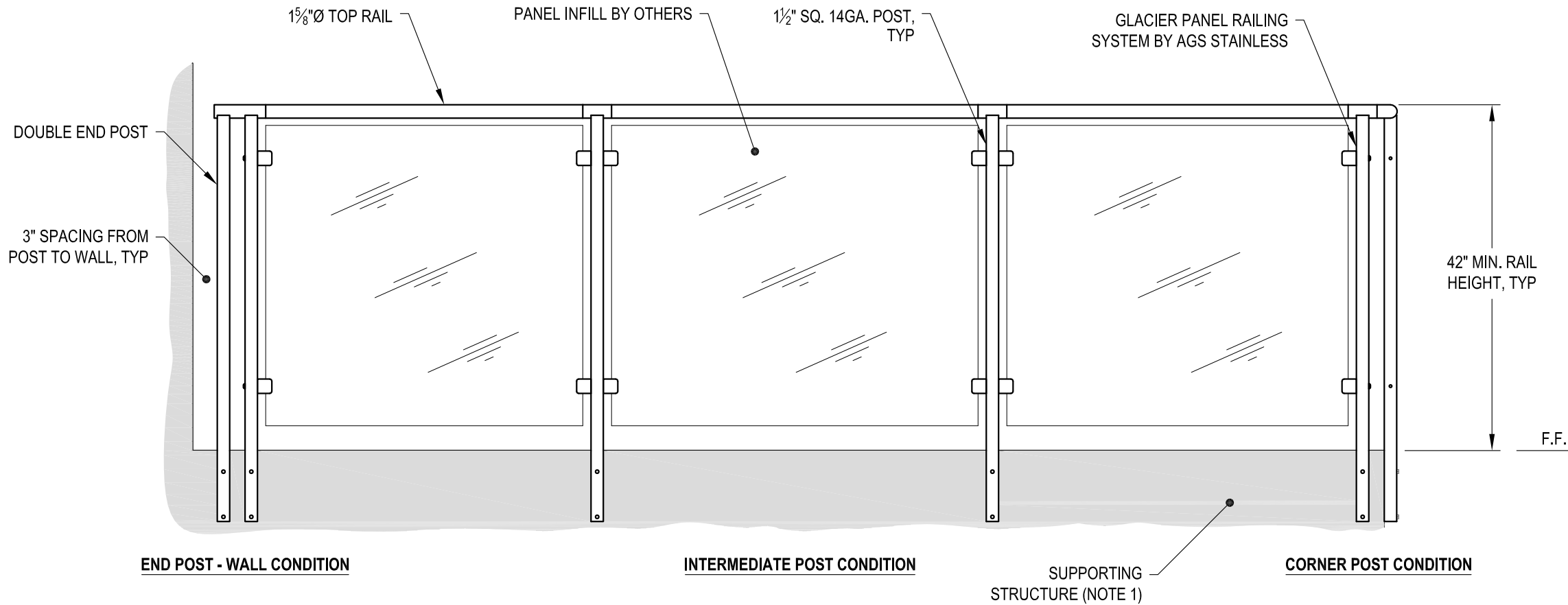
GLACIER SPECIFICATION DRAWING
** RESIDENTIAL **
42" SIDE MOUNT - ROUND TOP

7873 NE DAY ROAD
BAINBRIDGE ISLAND, WA 98110
PHONE - (888) 842-9492
FAX - (206) 842-8779
WWW.AGSSTAINLESS.COM



NOTES:

- DECK STRUCTURE CAN VARY GREATLY. IT IS THE RESPONSIBILITY OF THE CUSTOMER TO VERIFY THAT THE SUPPORTING STRUCTURE IS ADEQUATE TO MEET THE LOAD REQUIREMENTS OF THE GOVERNING BUILDING CODE(S). *AGS Stainless Inc.* RECOMMENDS CONSULTING A DESIGN OR CONSTRUCTION PROFESSIONAL TO ADDRESS THESE ISSUES.



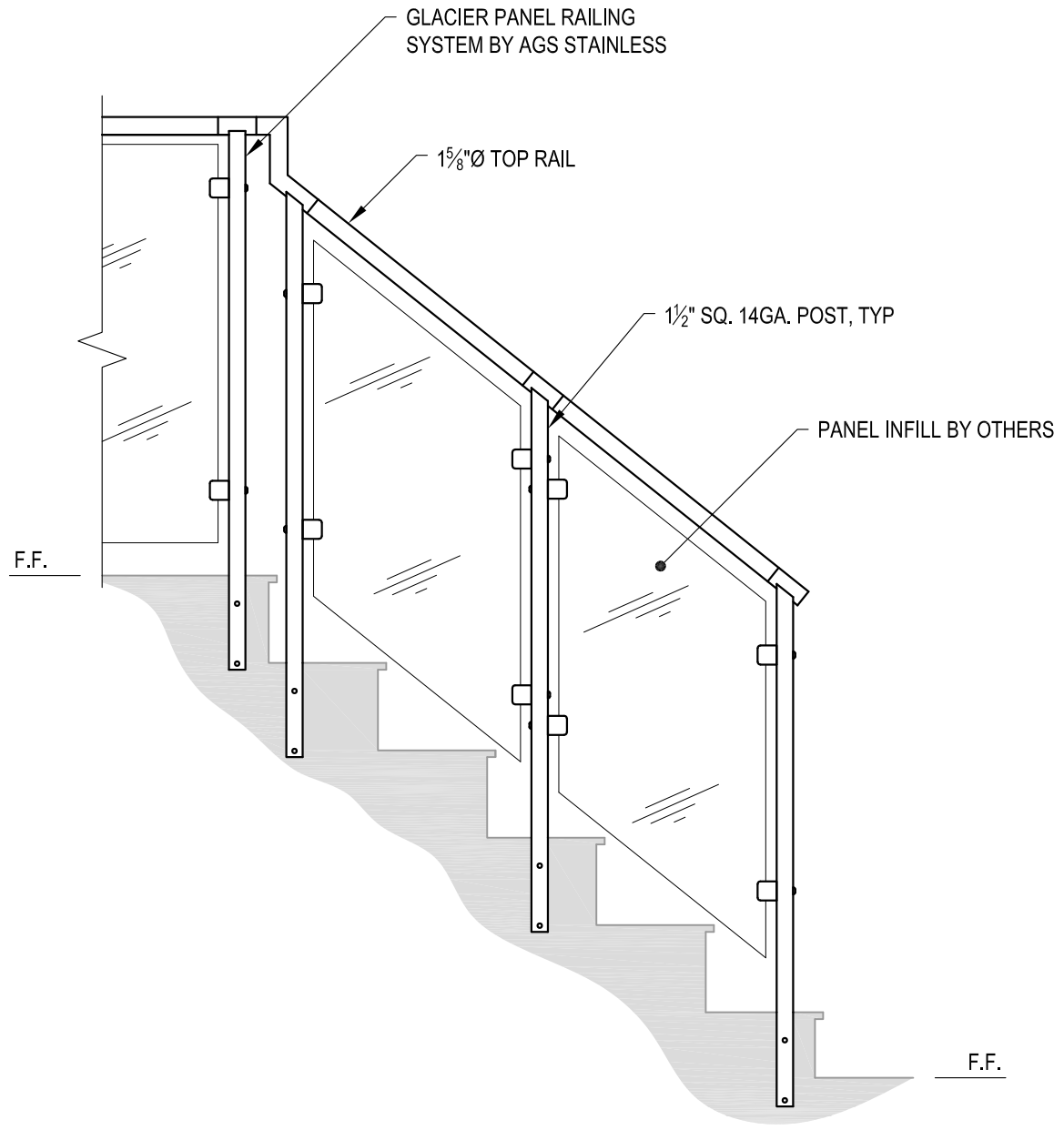
A TYPICAL RAILING CONDITION ELEVATION

DATE	2024
SCALE	NONE
DESIGNER	AGS
SHEET	2 OF 4

GLACIER SPECIFICATION DRAWING
 ** RESIDENTIAL **
 42" SIDE MOUNT - ROUND TOP

7873 NE DAY ROAD
 BAINBRIDGE ISLAND, WA 98110
 PHONE - (888) 842-9492
 FAX - (206) 842-8179
 WWW.AGSSTAINLESS.COM






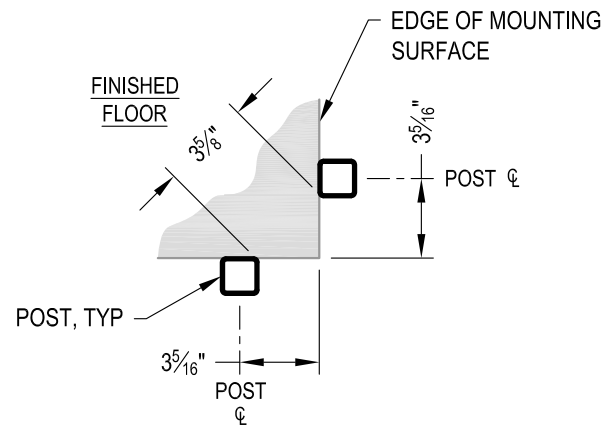
A STAIR
ELEVATION

NOTES:

1. STAIR CONSTRUCTION VARIES GREATLY. AS-BUILT CONDITIONS MAY ALTER RAILING DESIGN, INCLUDING POST LOCATION & MOUNTING, INFILL SPACING & TOP RAIL LAYOUT.

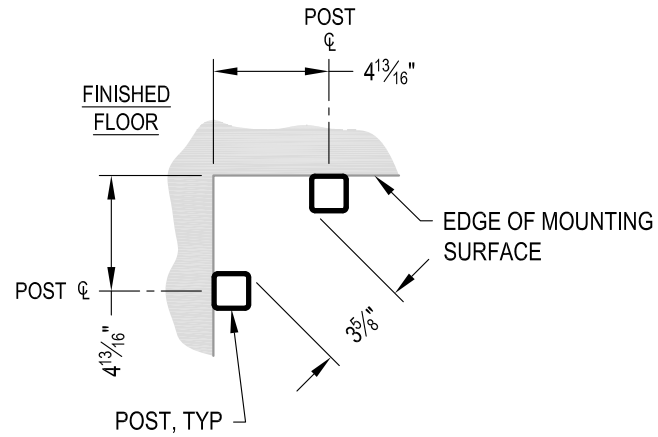
AGS Stainless Clearview® Railing Systems are designed to meet the requirements of the latest edition of the IRC/IBC.

	7873 MEADY ROAD BAINBRIDGE ISLAND, WA 98110 PHONE - (888) 842-9492 FAX - (206) 842-8779 WWW.AGSSTAINLESS.COM	
	GLACIER SPECIFICATION DRAWING ** RESIDENTIAL ** 42" SIDE MOUNT - ROUND TOP	
DWG# GLACIER SM42R	SCALE NONE	DATE 2024
DESIGNER AGS	SHEET 3 OF 4	



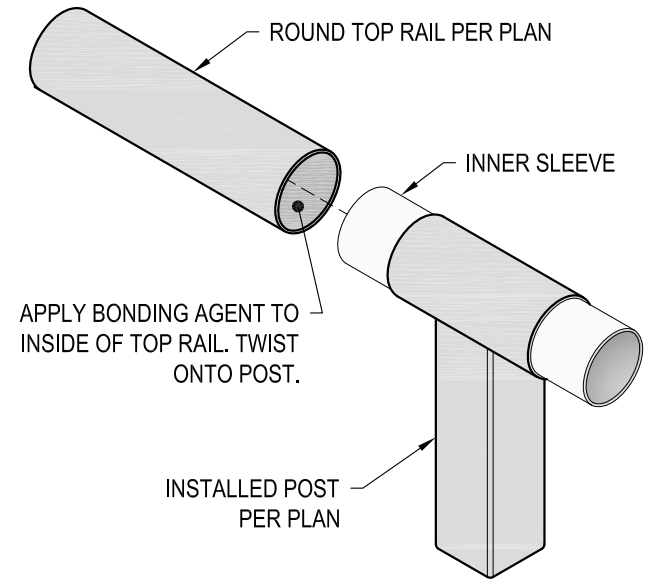
NOTE: 90° SHOWN, OTHER ANGLES SIMILAR

A TYPICAL SIDE MOUNT OUTSIDE CORNER
DETAIL

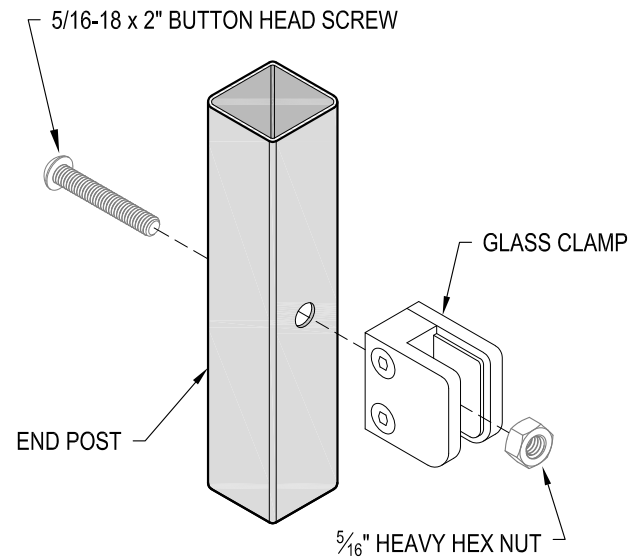


NOTE: 90° SHOWN, OTHER ANGLES SIMILAR

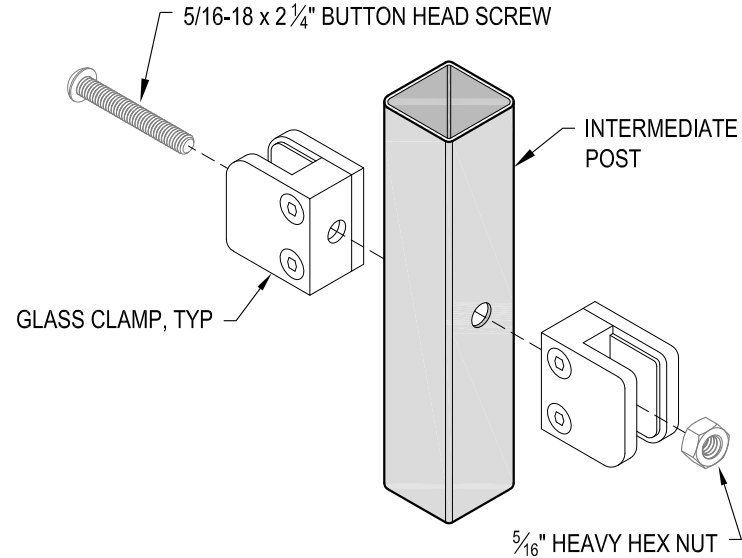
B TYPICAL SIDE MOUNT INSIDE CORNER
DETAIL



C TOP RAIL INSTALLATION - ROUND
DETAIL



D END POST GLASS CLAMP INSTALLATION
DETAIL



E INTERMEDIATE POST GLASS CLAMP INSTALLATION
DETAIL

AGS Stainless Clearview® Railing Systems are designed to meet the requirements of the latest edition of the IRC/IBC.