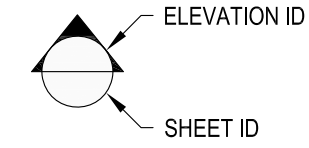
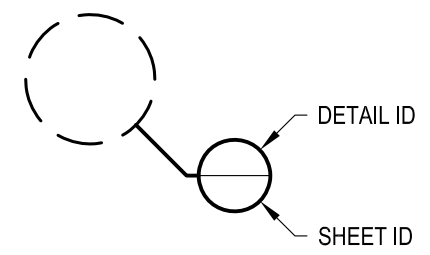


**1** EXAMPLE POST LAYOUT  
PLAN VIEW

**NOTES:**

1. TOP RAIL NOT SHOWN FOR CLARITY.
2. ALL PARTS AND COMPONENTS MADE WITH 316 STAINLESS STEEL UNLESS NOTED OTHERWISE.

**LEGEND**



□ SIDE MOUNT POST

□ □ SIDE MOUNT DOUBLE POST

☒ CENTERLINE

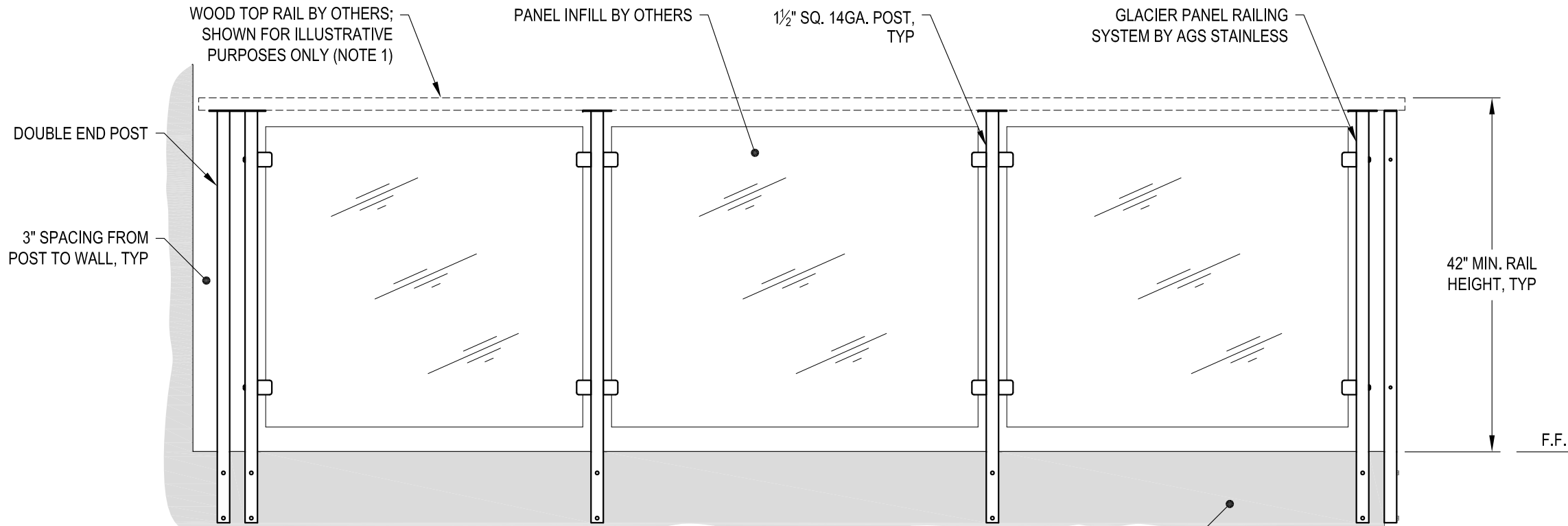
F.F. FINISHED FLOOR

TYP TYPICAL CONDITION APPLIES ELSEWHERE AT SIMILAR CONDITIONS

DWS+ GLACIER SM42W SCALE NONE DESIGNER AGS	DATE 2024 SHEET 1 OF 4
	GLACIER SPECIFICATION DRAWING ** RESIDENTIAL ** 42" SIDE MOUNT - WOOD TOP
7873 NE DAY ROAD BAINBRIDGE ISLAND, WA 98110 PHONE - (888) 842-9492 FAX - (206) 842-8779 WWW.AGSSTAINLESS.COM	
 CLEARVIEW® Railing Systems	

**NOTES:**

1. TOP RAIL SHOULD BE SELECTED SO THAT ALL GOVERNING CODE REQUIREMENTS ARE SATISFIED. THESE INCLUDE SHAPE, STRENGTH AND RAILING HEIGHT.
2. DECK STRUCTURE CAN VARY GREATLY. IT IS THE RESPONSIBILITY OF THE CUSTOMER TO VERIFY THAT THE SUPPORTING STRUCTURE IS ADEQUATE TO MEET THE LOAD REQUIREMENTS OF THE GOVERNING BUILDING CODE(S). AGS Stainless Inc. RECOMMENDS CONSULTING A DESIGN OR CONSTRUCTION PROFESSIONAL TO ADDRESS THESE ISSUES.



**END POST - WALL CONDITION**

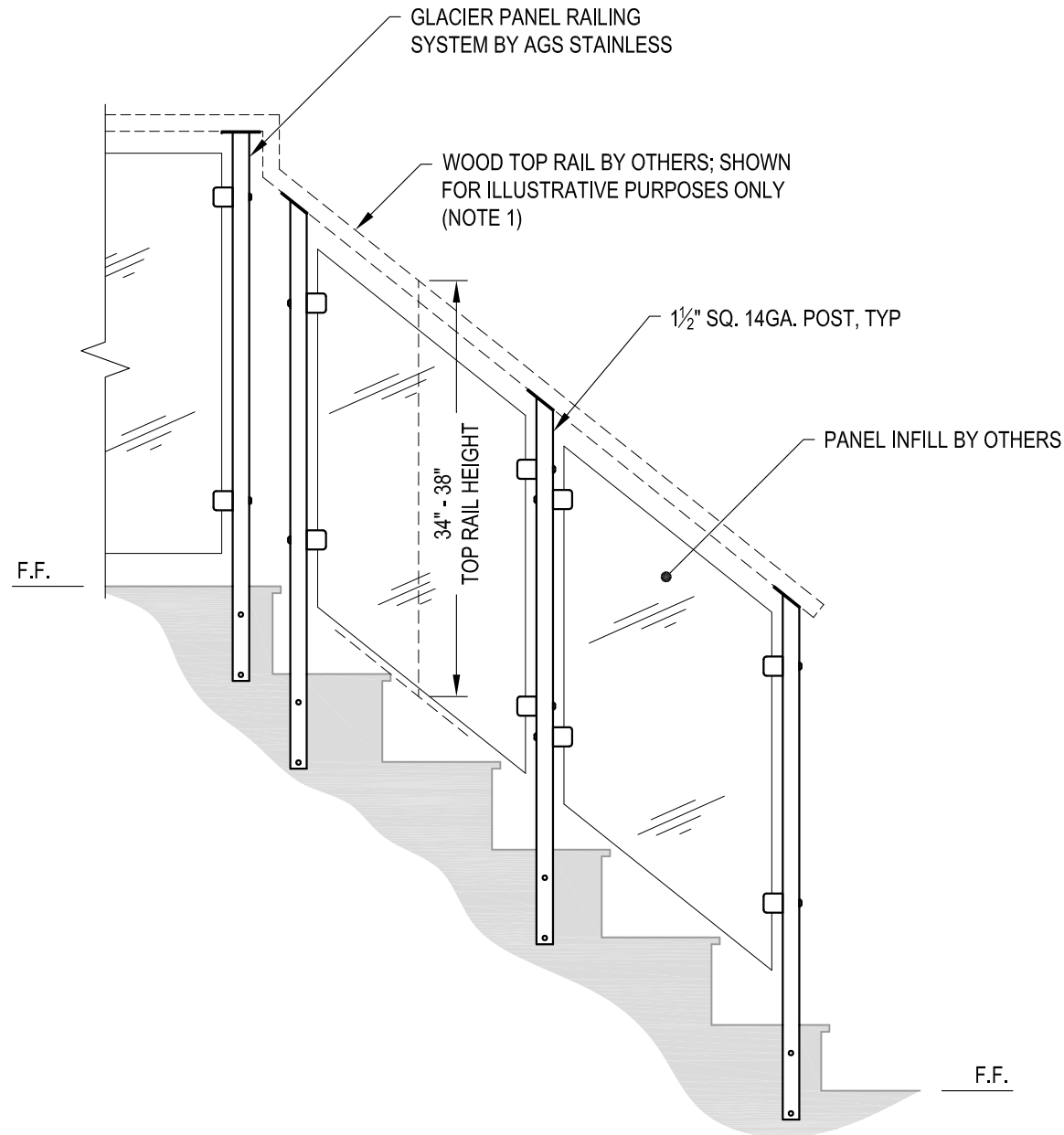
**INTERMEDIATE POST CONDITION**

**SUPPORTING STRUCTURE (NOTE 2)**

**CORNER POST CONDITION**

**A TYPICAL RAILING CONDITION ELEVATION**

DWS+ GLACIER SM42W SCALE NONE DESIGNER AGS	DATE 2024 SHEET 2 OF 4
	GLACIER SPECIFICATION DRAWING ** RESIDENTIAL ** 42" SIDE MOUNT - WOOD TOP
7873 NE DAY ROAD BAINBRIDGE ISLAND, WA 98110 PHONE - (888) 842-9492 FAX - (206) 842-8179 WWW.AGSSTAINLESS.COM	



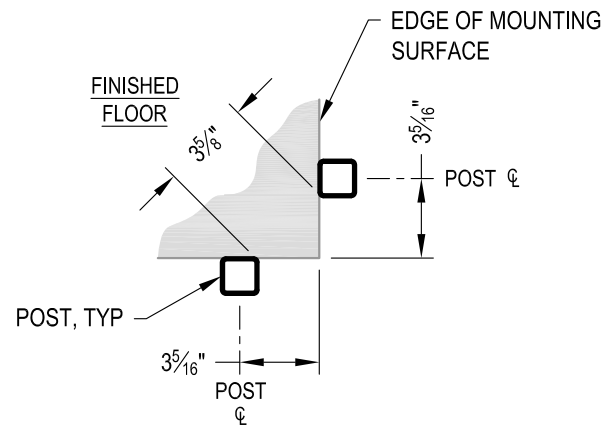
**A** STAIR  
ELEVATION

**NOTES:**

1. TOP RAIL SHOULD BE SELECTED SO THAT ALL GOVERNING CODE REQUIREMENTS ARE SATISFIED. THESE INCLUDE SHAPE, STRENGTH AND RAILING HEIGHT.
2. STAIR CONSTRUCTION VARIES GREATLY. AS-BUILT CONDITIONS MAY ALTER RAILING DESIGN, INCLUDING POST LOCATION & MOUNTING, INFILL SPACING & TOP RAIL LAYOUT.

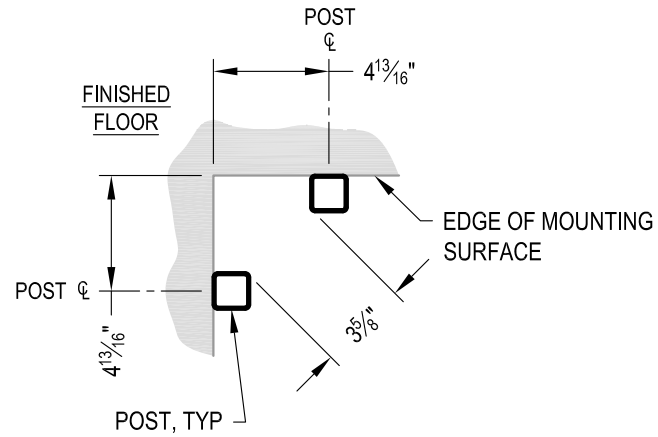
AGS Stainless Clearview® Railing Systems are designed to meet the requirements of the latest edition of the IRC/IBC.

DWG#	GLACIER SM42W	DATE	2024	SHEET	3 OF 4
	SCALE		NONE		DESIGNER
GLACIER SPECIFICATION DRAWING					
** RESIDENTIAL **					
42" SIDE MOUNT - WOOD TOP					
7873 NE DAY ROAD BAINBRIDGE ISLAND, WA 98110 PHONE - (888) 842-9492 FAX - (206) 842-8179 WWW.AGSSTAINLESS.COM					



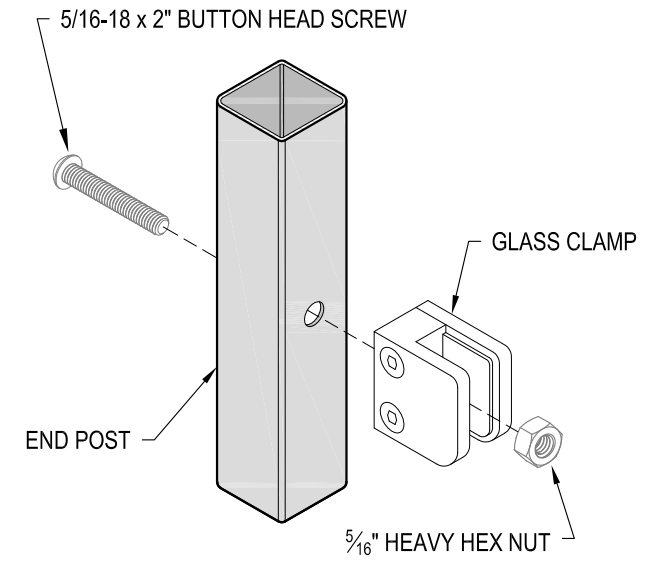
**NOTE: 90° SHOWN, OTHER ANGLES SIMILAR**

**A** TYPICAL SIDE MOUNT OUTSIDE CORNER  
DETAIL

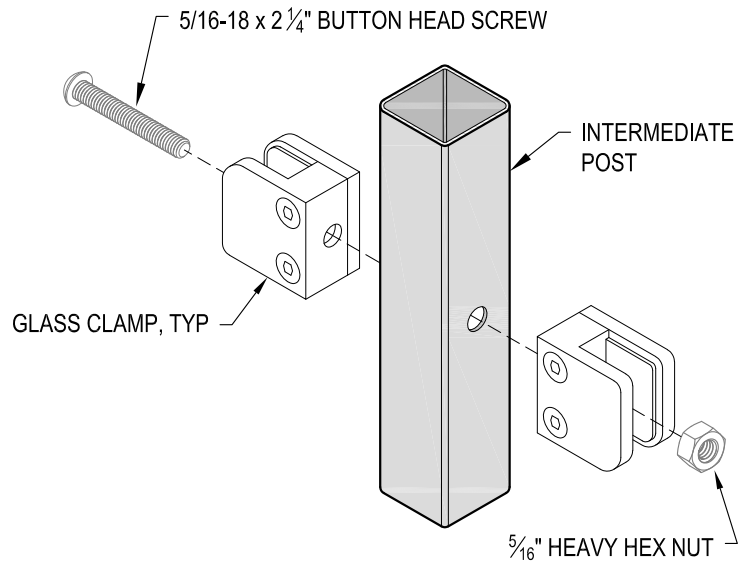


**NOTE: 90° SHOWN, OTHER ANGLES SIMILAR**

**B** TYPICAL SIDE MOUNT INSIDE CORNER  
DETAIL



**C** END POST GLASS CLAMP INSTALLATION  
DETAIL



**D** INTERMEDIATE POST GLASS CLAMP INSTALLATION  
DETAIL

AGS Stainless Clearview® Railing Systems are designed to meet the requirements of the latest edition of the IRC/IBC.