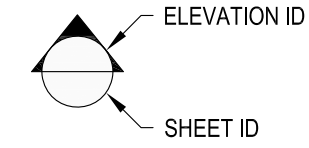
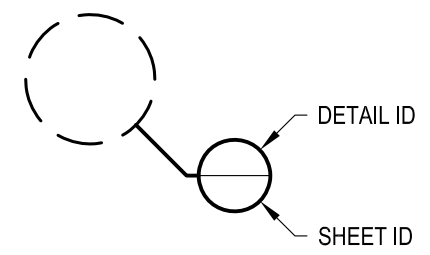


1 EXAMPLE POST LAYOUT
PLAN VIEW

NOTES:

1. TOP RAIL NOT SHOWN FOR CLARITY.
2. ALL PARTS AND COMPONENTS MADE WITH 316 STAINLESS STEEL UNLESS NOTED OTHERWISE.

LEGEND



TYP TYPICAL CONDITION APPLIES ELSEWHERE AT SIMILAR CONDITIONS

DWS*	GLACIER TM36F	DATE	2024
	SCALE	NONE	SHEET
	DESIGNER	AGS	1 OF 4

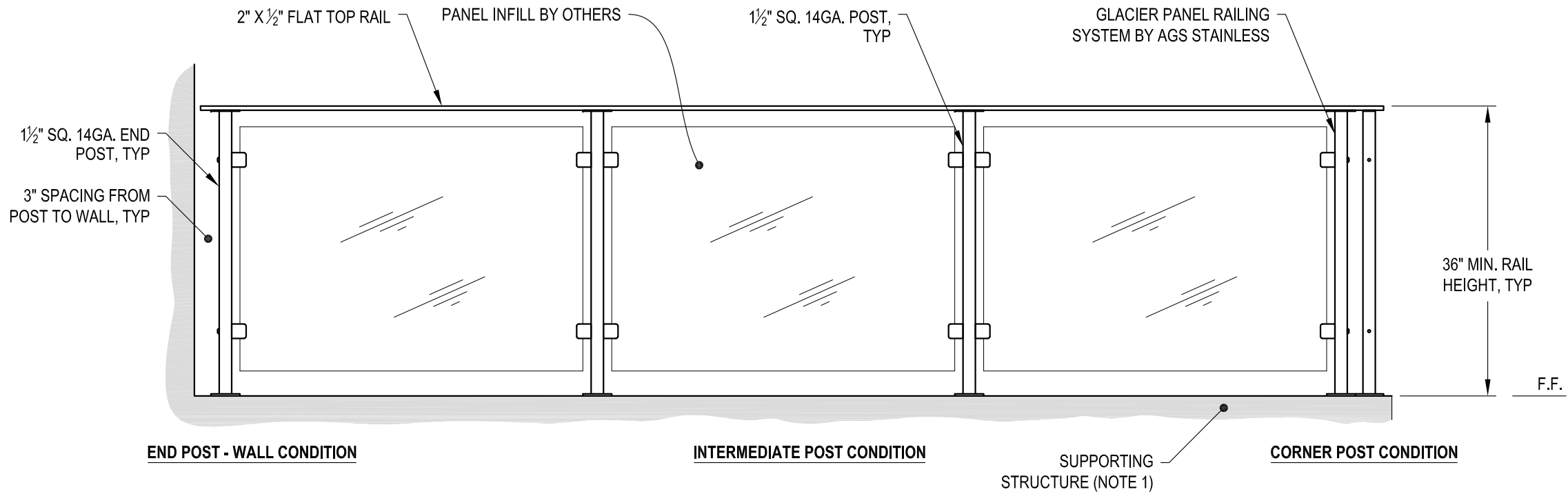
GLACIER SPECIFICATION DRAWING
** RESIDENTIAL **
36" TOP MOUNT - FLAT TOP

7873 NE DAY ROAD
BAMBRIDGE ISLAND, WA 98110
PHONE - (888) 842-9492
FAX - (206) 842-8179
WWW.AGSSTAINLESS.COM



NOTES:

1. DECK STRUCTURE CAN VARY GREATLY. IT IS THE RESPONSIBILITY OF THE CUSTOMER TO VERIFY THAT THE SUPPORTING STRUCTURE IS ADEQUATE TO MEET THE LOAD REQUIREMENTS OF THE GOVERNING BUILDING CODE(S). AGS Stainless Inc. RECOMMENDS CONSULTING A DESIGN OR CONSTRUCTION PROFESSIONAL TO ADDRESS THESE ISSUES.



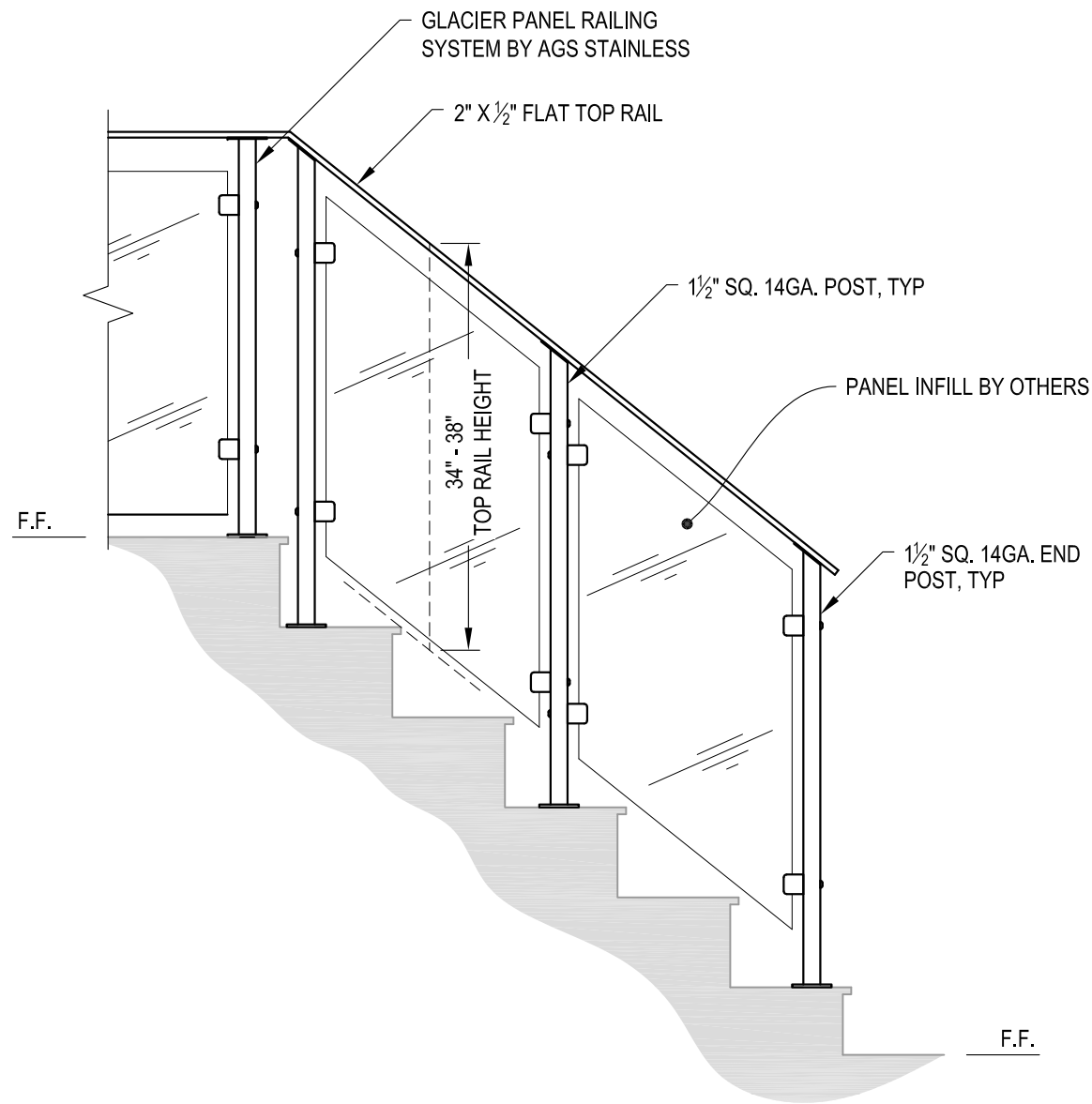
A TYPICAL RAILING CONDITION ELEVATION

DATE	2024	DESIGNER	AGS	SHEET	2 OF 4
SCALE	NONE				
PROJECT: GLACIER TM36F					

GLACIER SPECIFICATION DRAWING
 ** RESIDENTIAL **
 36" TOP MOUNT - FLAT TOP

7873 NE DAY ROAD
 BAINBRIDGE ISLAND, WA 98110
 PHONE - (888) 842-9492
 FAX - (206) 842-8179
 WWW.AGSSTAINLESS.COM





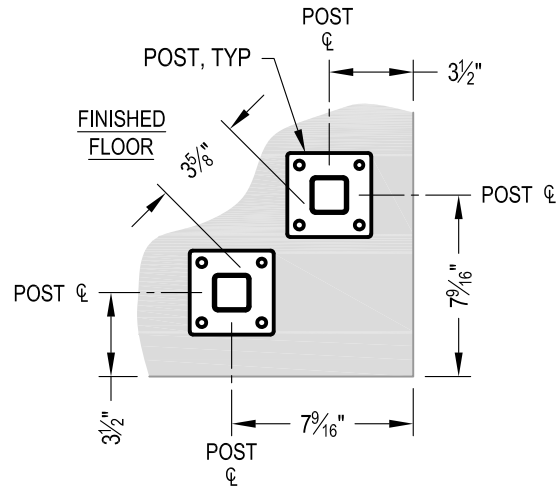
A STAIR
ELEVATION

AGS Stainless Clearview® Railing Systems are designed to meet the requirements of the latest edition of the IRC/IBC.

NOTES:

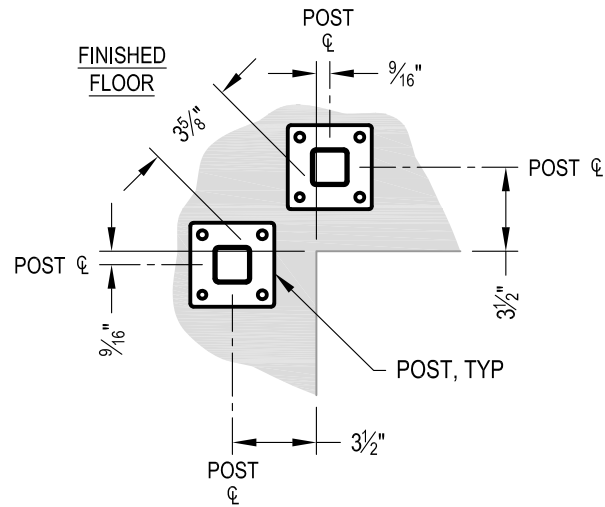
1. STAIR CONSTRUCTION VARIES GREATLY. AS-BUILT CONDITIONS MAY ALTER RAILING DESIGN, INCLUDING POST LOCATION & MOUNTING, INFILL SPACING & TOP RAIL LAYOUT.

7873 MEADY ROAD BANBRIDGE ISLAND, WA 98110 PHONE - (888) 842-9492 FAX - (206) 842-8179 WWW.AGSSTAINLESS.COM	DWG# GLACIER TM36F
	DATE 2024
AGS stainless <small>CLEARVIEW® Railing Systems</small>	SCALE NONE
	DESIGNER AGS
GLACIER SPECIFICATION DRAWING ** RESIDENTIAL **	
36" TOP MOUNT - FLAT TOP	
SHEET 3 OF 4	



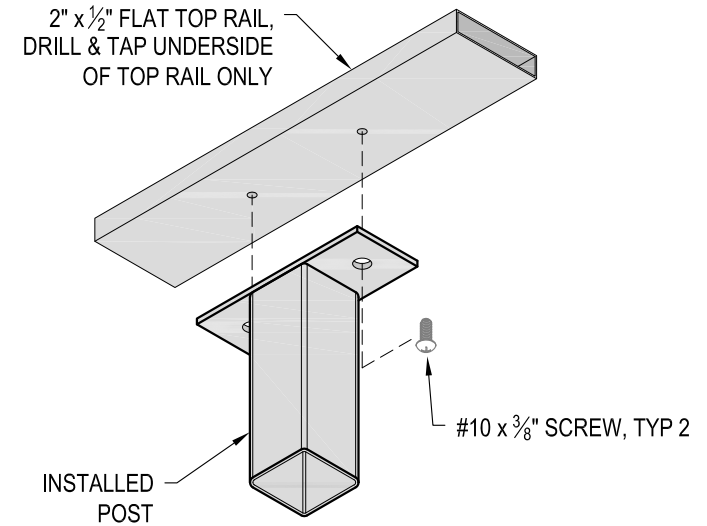
NOTE: 90° SHOWN, OTHER ANGLES SIMILAR

A TYPICAL TOP MOUNT OUTSIDE CORNER DETAIL

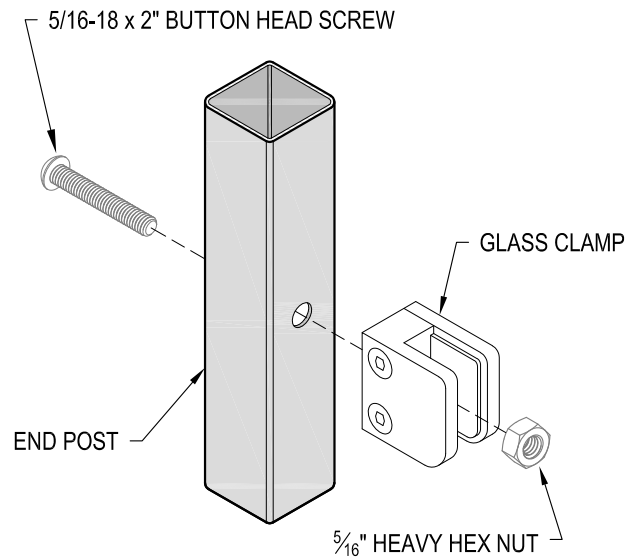


NOTE: 90° SHOWN, OTHER ANGLES SIMILAR

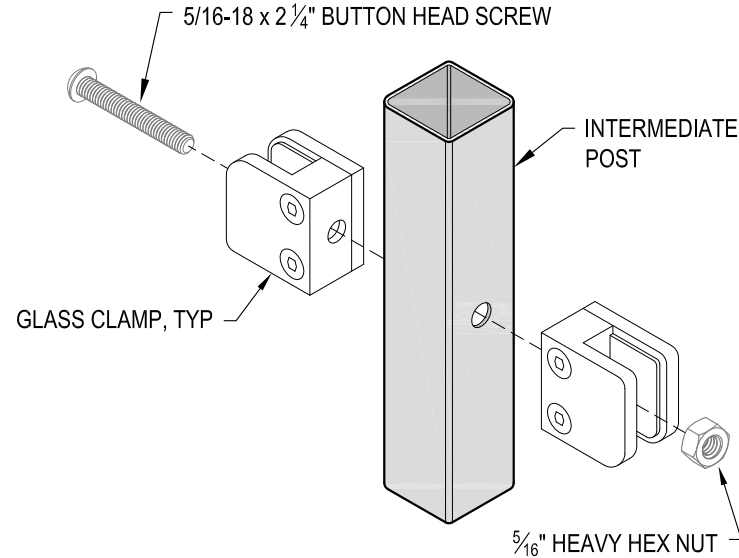
B TYPICAL TOP MOUNT INSIDE CORNER DETAIL



C TOP RAIL INSTALLATION - FLAT DETAIL



D END POST GLASS CLAMP INSTALLATION DETAIL



E INTERMEDIATE POST GLASS CLAMP INSTALLATION DETAIL

AGS Stainless Clearview® Railing Systems are designed to meet the requirements of the latest edition of the IRC/IBC.

DATE	GLACIER TM36F
SCALE	NONE
DESIGNER	AGS
SHEET	4 OF 4

GLACIER SPECIFICATION DRAWING
** RESIDENTIAL **

36" TOP MOUNT - FLAT TOP

7873 MEADY ROAD
BAMBRIDGE ISLAND, WA 98110
PHONE - (888) 842-9492
FAX - (206) 842-8779
WWW.AGSSTAINLESS.COM

