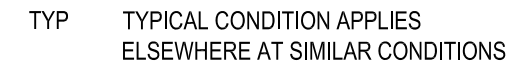
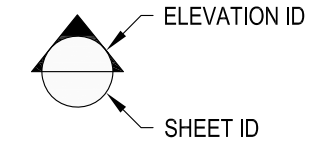
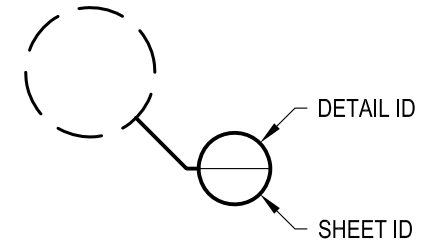


1 EXAMPLE POST LAYOUT
PLAN VIEW

NOTES:

1. TOP RAIL NOT SHOWN FOR CLARITY.
2. ALL PARTS AND COMPONENTS MADE WITH 316 STAINLESS STEEL UNLESS NOTED OTHERWISE.

LEGEND



DWS*	GLACIER TM36R	DATE	2024
	SCALE	NONE	SHEET
	DESIGNER	AGS	1 OF 4

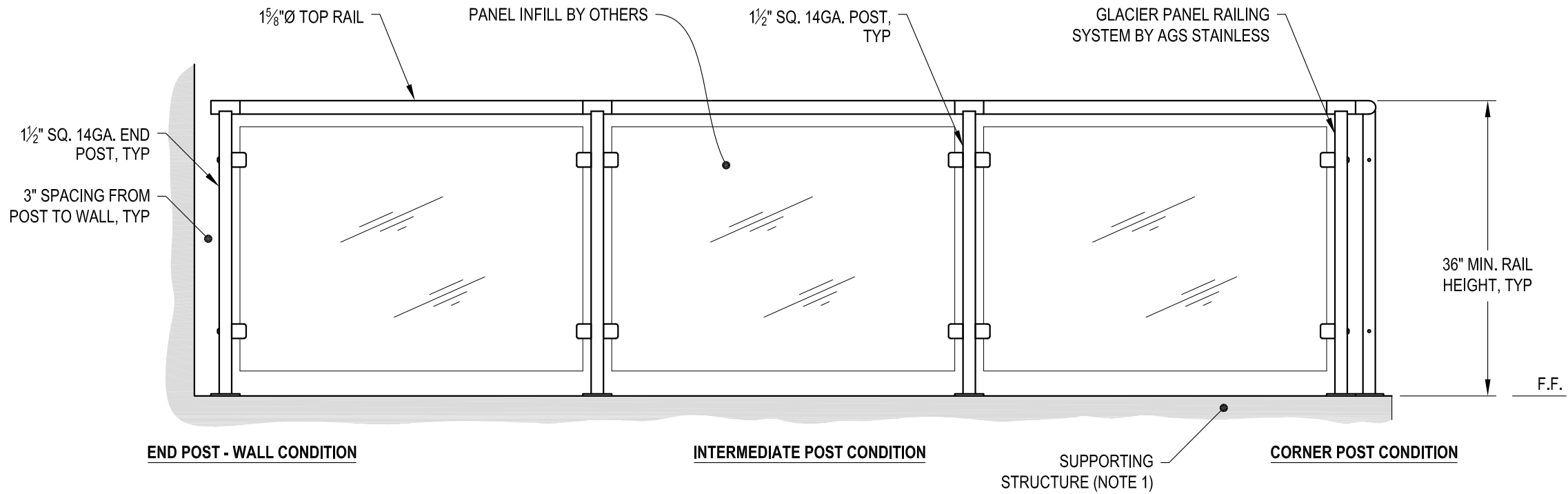
GLACIER SPECIFICATION DRAWING
** RESIDENTIAL **
36" TOP MOUNT - ROUND TOP

7873 NE DAY ROAD
BAMBRIDGE ISLAND, WA 98110
PHONE - (888) 842-9492
FAX - (206) 842-8779
WWW.AGSSTAINLESS.COM



NOTES:

1. DECK STRUCTURE CAN VARY GREATLY. IT IS THE RESPONSIBILITY OF THE CUSTOMER TO VERIFY THAT THE SUPPORTING STRUCTURE IS ADEQUATE TO MEET THE LOAD REQUIREMENTS OF THE GOVERNING BUILDING CODE(S). AGS Stainless Inc. RECOMMENDS CONSULTING A DESIGN OR CONSTRUCTION PROFESSIONAL TO ADDRESS THESE ISSUES.



A TYPICAL RAILING CONDITION ELEVATION

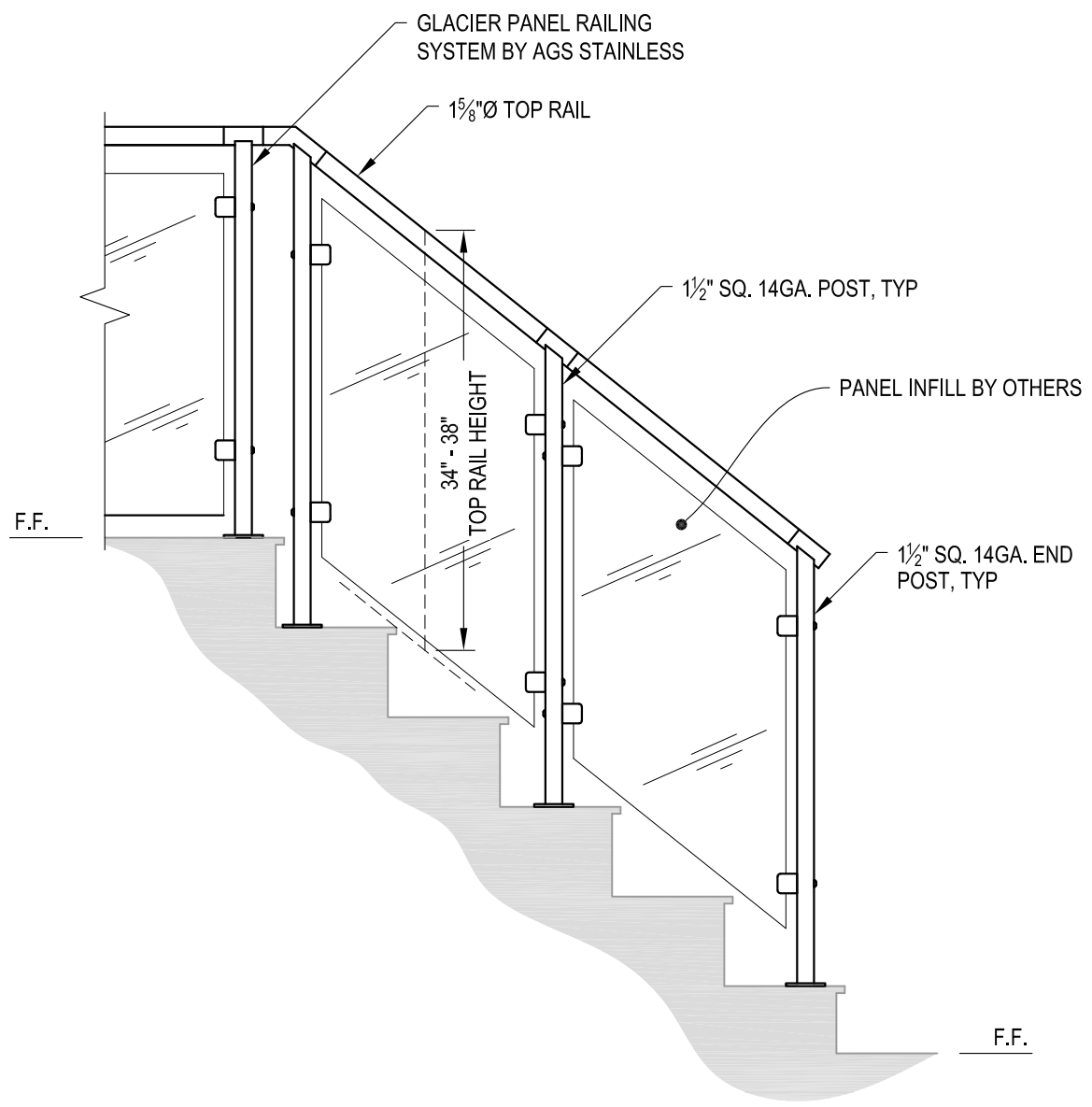
DWG#	GLACIER TM36R	DATE	2024
	SCALE		NONE
DESIGNER	AGS	SHEET	2 OF 4

GLACIER SPECIFICATION DRAWING
 ** RESIDENTIAL **

36" TOP MOUNT - ROUND TOP

7873 MEADY ROAD
 BAINBRIDGE ISLAND, WA 98110
 PHONE - (888) 842-9492
 FAX - (206) 842-8179
 WWW.AGSSTAINLESS.COM





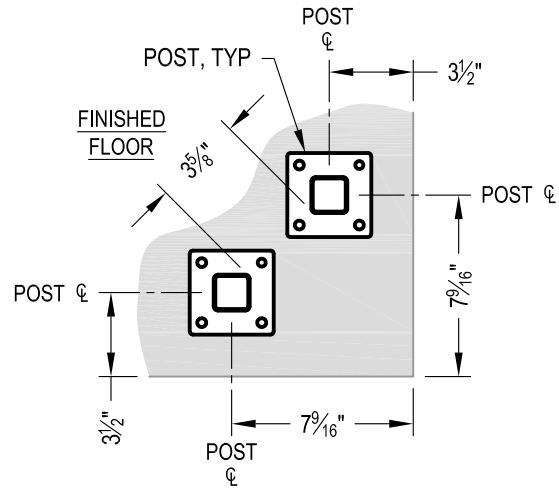
A STAIR
ELEVATION

NOTES:

1. STAIR CONSTRUCTION VARIES GREATLY. AS-BUILT CONDITIONS MAY ALTER RAILING DESIGN, INCLUDING POST LOCATION & MOUNTING, INFILL SPACING & TOP RAIL LAYOUT.

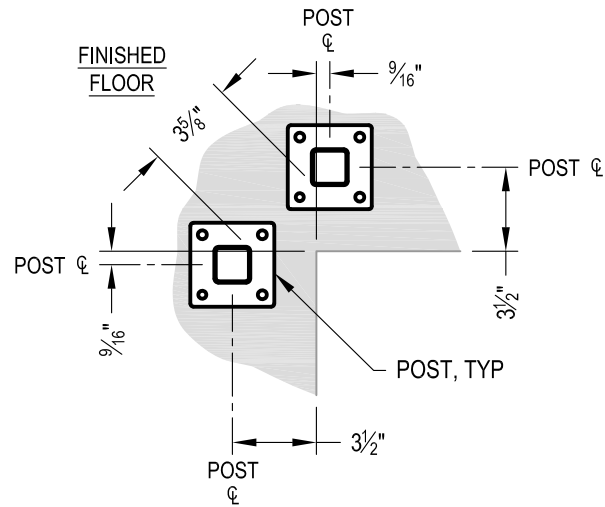
AGS Stainless Clearview® Railing Systems are designed to meet the requirements of the latest edition of the IRC/IBC.

AGS stainless <small>CLEARVIEW® Railing Systems</small>	<small>7873 MEADY ROAD BAINBRIDGE ISLAND, WA 98110 PHONE - (888) 842-9492 FAX - (206) 842-8179 WWW.AGSSTAINLESS.COM</small>	<small>DATE</small> 2024 <small>DESIGNER</small> AGS <small>SCALE</small> NONE <small>SHEET</small> 3 OF 4
	GLACIER SPECIFICATION DRAWING ** RESIDENTIAL ** 36" TOP MOUNT - ROUND TOP	<small>OWNER</small> GLACIER TM36R



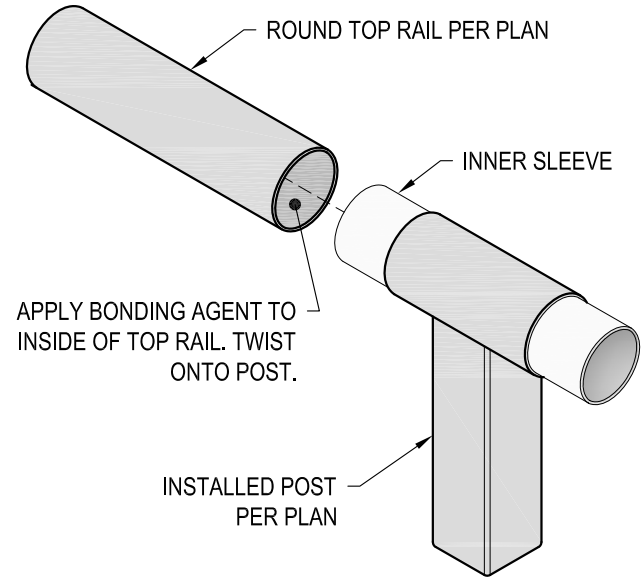
NOTE: 90° SHOWN, OTHER ANGLES SIMILAR

A TYPICAL TOP MOUNT OUTSIDE CORNER DETAIL

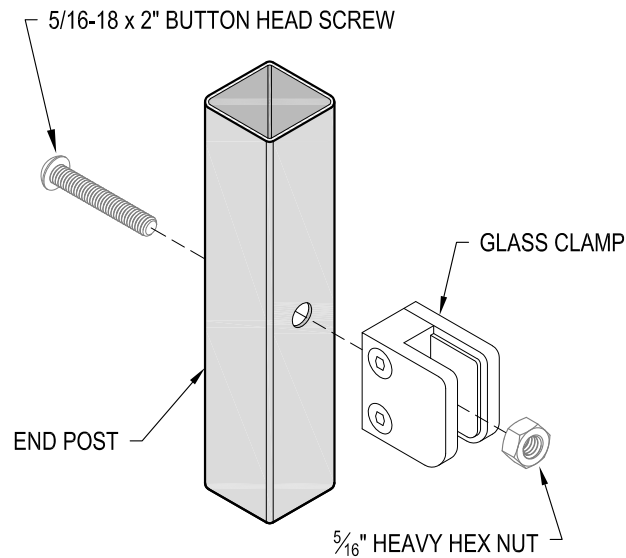


NOTE: 90° SHOWN, OTHER ANGLES SIMILAR

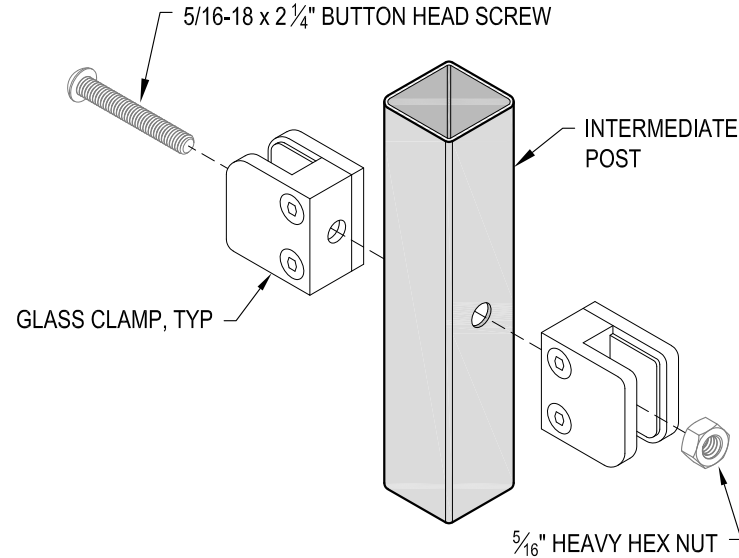
B TYPICAL TOP MOUNT INSIDE CORNER DETAIL



C TOP RAIL INSTALLATION - ROUND DETAIL



D END POST GLASS CLAMP INSTALLATION DETAIL



E INTERMEDIATE POST GLASS CLAMP INSTALLATION DETAIL