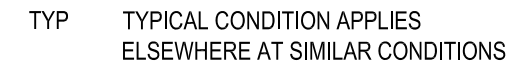
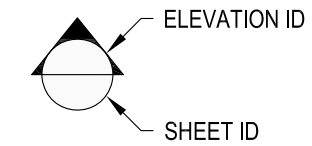
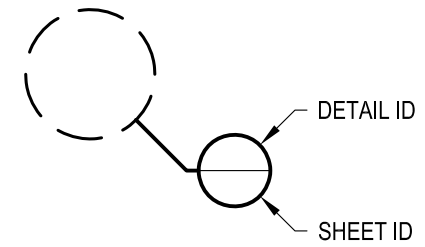


1 EXAMPLE POST LAYOUT
PLAN VIEW

NOTES:

1. TOP RAIL NOT SHOWN FOR CLARITY.
2. ALL PARTS AND COMPONENTS MADE WITH 316 STAINLESS STEEL UNLESS NOTED OTHERWISE.

LEGEND



DWS*	GLACIER TM36W	DATE	2024
	SCALE	NONE	SHEET
	DESIGNER	AGS	1 OF 4

GLACIER SPECIFICATION DRAWING
** RESIDENTIAL **

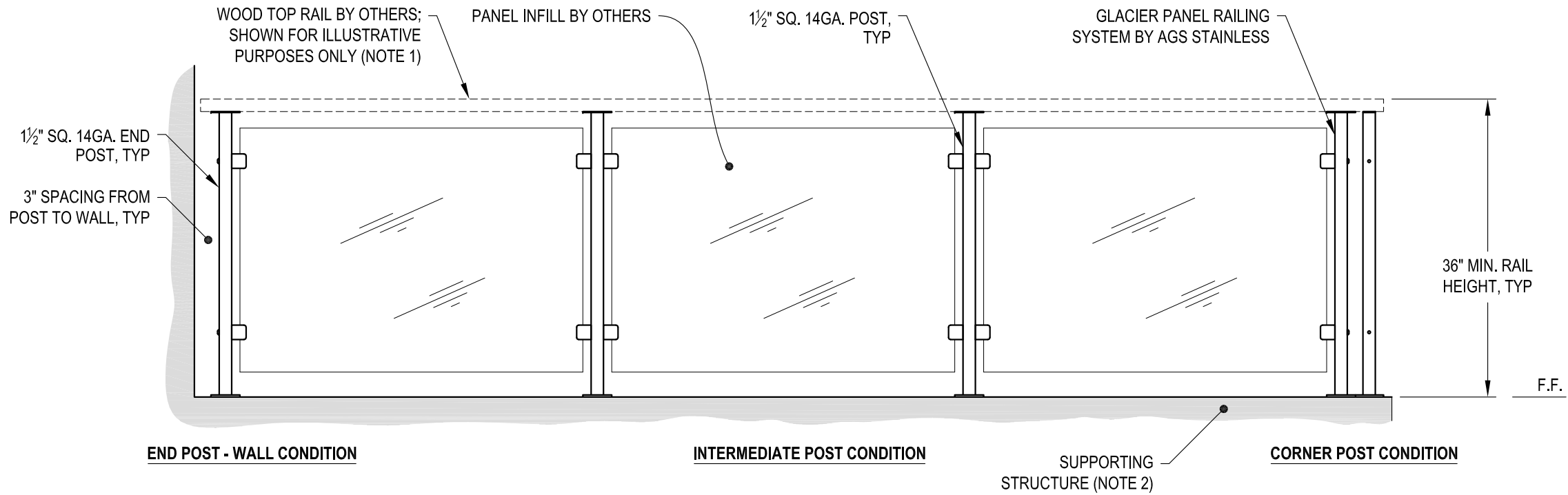
36" TOP MOUNT - WOOD TOP

7873 NE DAY ROAD
BAMBRIDGE ISLAND, WA 98110
PHONE - (888) 842-9492
FAX - (206) 842-8179
WWW.AGSSTAINLESS.COM



NOTES:

1. TOP RAIL SHOULD BE SELECTED SO THAT ALL GOVERNING CODE REQUIREMENTS ARE SATISFIED. THESE INCLUDE SHAPE, STRENGTH AND RAILING HEIGHT.
2. DECK STRUCTURE CAN VARY GREATLY. IT IS THE RESPONSIBILITY OF THE CUSTOMER TO VERIFY THAT THE SUPPORTING STRUCTURE IS ADEQUATE TO MEET THE LOAD REQUIREMENTS OF THE GOVERNING BUILDING CODE(S). AGS Stainless Inc. RECOMMENDS CONSULTING A DESIGN OR CONSTRUCTION PROFESSIONAL TO ADDRESS THESE ISSUES.



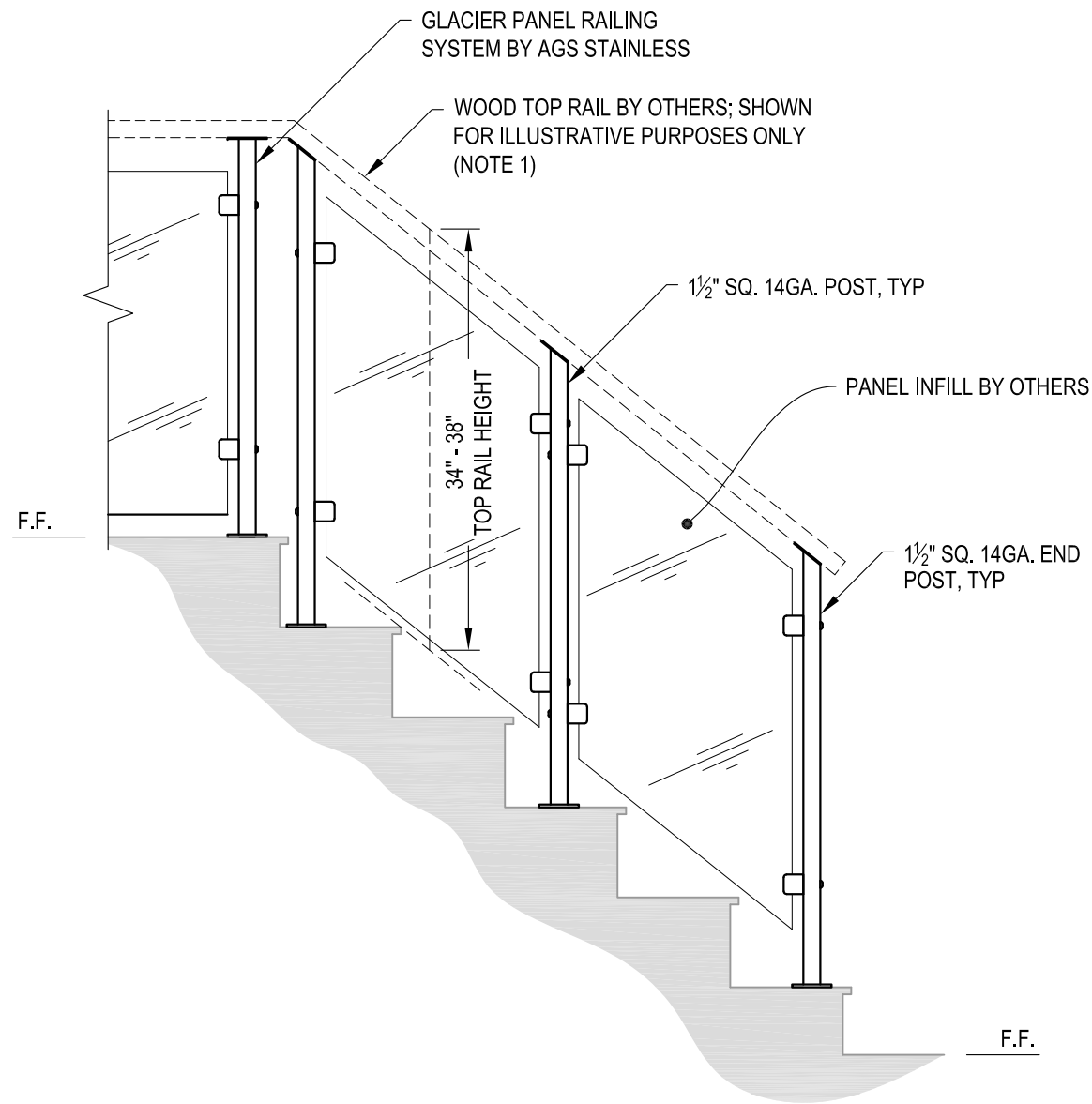
A TYPICAL RAILING CONDITION ELEVATION

DWS*	GLACIER TM36W	DATE	2024
	SCALE	NONE	SHEET
	DESIGNER	AGS	2 OF 4

GLACIER SPECIFICATION DRAWING
 ** RESIDENTIAL **
 36" TOP MOUNT - WOOD TOP

7873 NE DAY ROAD
 BAINBRIDGE ISLAND, WA 98110
 PHONE - (888) 842-9492
 FAX - (206) 842-8179
 WWW.AGSSTAINLESS.COM





A STAIR
ELEVATION

NOTES:

1. TOP RAIL SHOULD BE SELECTED SO THAT ALL GOVERNING CODE REQUIREMENTS ARE SATISFIED. THESE INCLUDE SHAPE, STRENGTH AND RAILING HEIGHT.
2. STAIR CONSTRUCTION VARIES GREATLY. AS-BUILT CONDITIONS MAY ALTER RAILING DESIGN, INCLUDING POST LOCATION & MOUNTING, INFILL SPACING & TOP RAIL LAYOUT.

AGS Stainless Clearview® Railing Systems are designed to meet the requirements of the latest edition of the IRC/IBC.

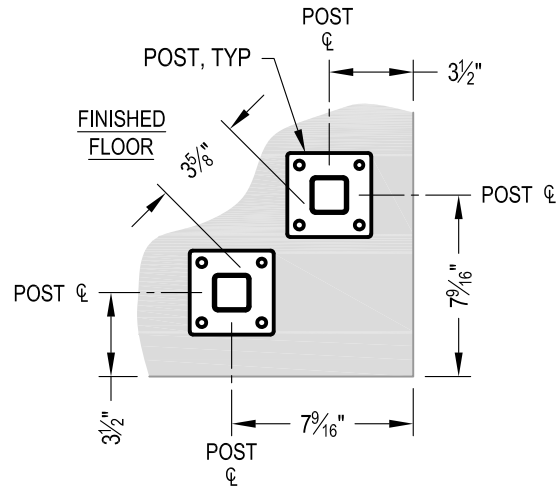
DWG#	GLACIER TM36W	DATE	2024
	SCALE		NONE
DESIGNER	AGS	SHEET	3 OF 4

GLACIER SPECIFICATION DRAWING
** RESIDENTIAL **

36" TOP MOUNT - WOOD TOP

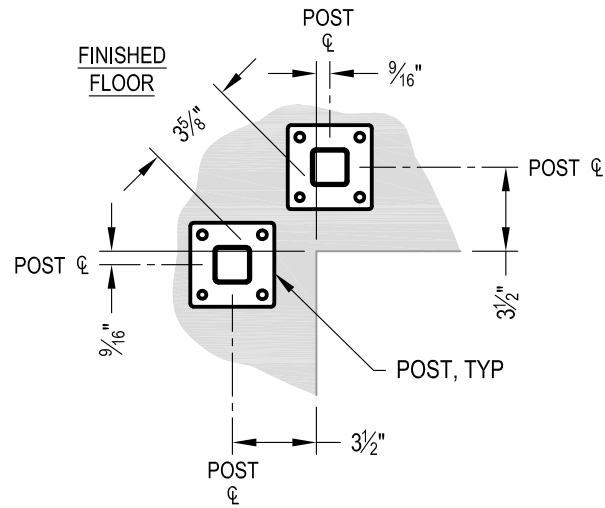
7873 MEADY ROAD
BAMBRIDGE ISLAND, WA 98110
PHONE - (888) 842-9492
FAX - (206) 842-8179
WWW.AGSSTAINLESS.COM





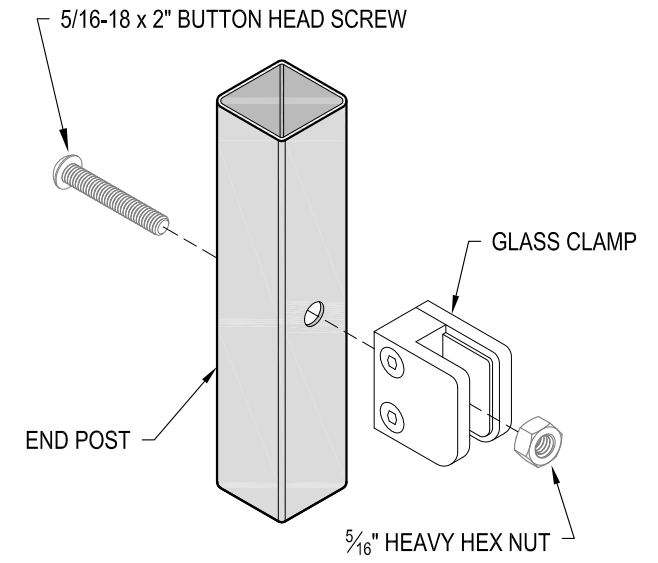
NOTE: 90° SHOWN, OTHER ANGLES SIMILAR

A TYPICAL TOP MOUNT OUTSIDE CORNER DETAIL

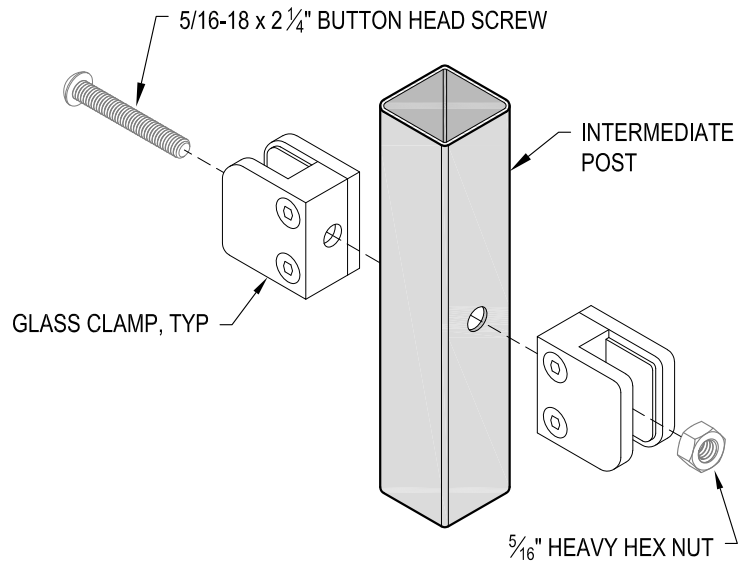


NOTE: 90° SHOWN, OTHER ANGLES SIMILAR

B TYPICAL TOP MOUNT INSIDE CORNER DETAIL



C END POST GLASS CLAMP INSTALLATION DETAIL



D INTERMEDIATE POST GLASS CLAMP INSTALLATION DETAIL

AGS Stainless Clearview® Railing Systems are designed to meet the requirements of the latest edition of the IRC/IBC.

DATE	GLACIER TM36W
SCALE	NONE
DESIGNER	AGS
SHEET	4 OF 4

GLACIER SPECIFICATION DRAWING
** RESIDENTIAL **

36" TOP MOUNT - WOOD TOP

7873 MEADY ROAD
BAINBRIDGE ISLAND, WA 98110
PHONE - (888) 842-9492
FAX - (206) 842-8779
WWW.AGSSTAINLESS.COM

