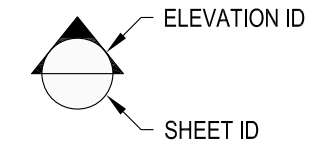
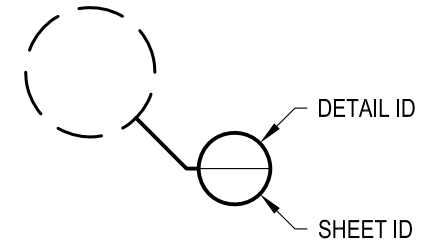


1 EXAMPLE POST LAYOUT  
PLAN VIEW

NOTES:

1. TOP RAIL NOT SHOWN FOR CLARITY.
2. ALL PARTS AND COMPONENTS MADE WITH 316 STAINLESS STEEL UNLESS NOTED OTHERWISE.

LEGEND



DATE	2024	DESIGNER	AGS	SHEET	1 OF 4
SCALE	NONE				
PROJECT: GLACIER TM42F					

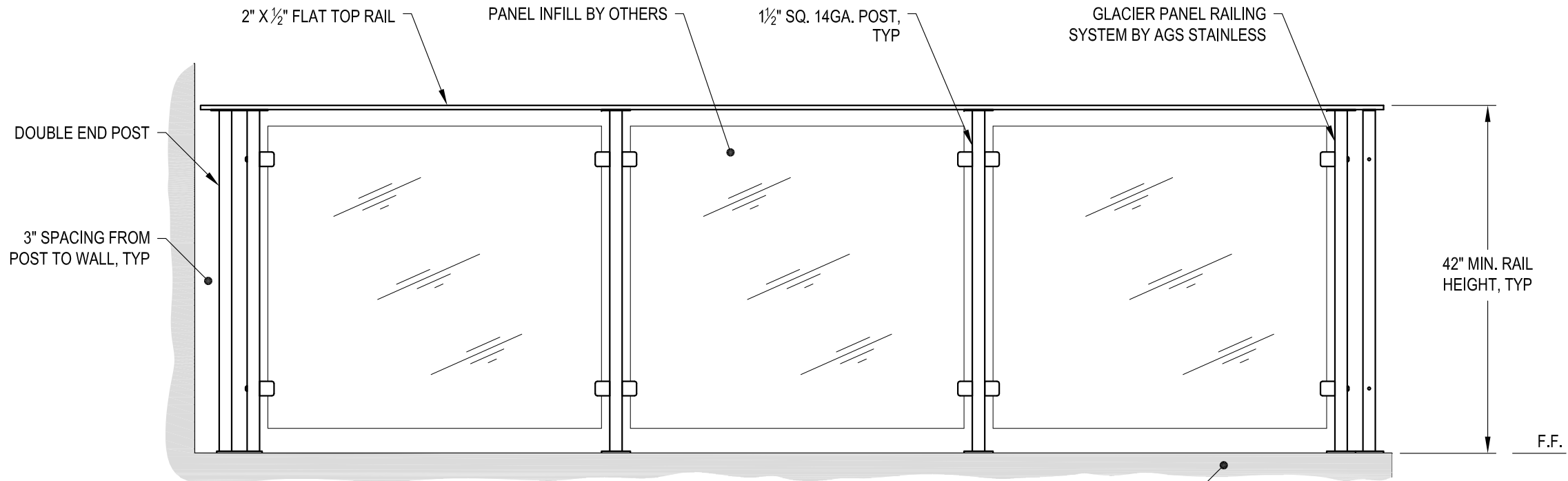
GLACIER SPECIFICATION DRAWING  
\*\* RESIDENTIAL \*\*  
42" TOP MOUNT - FLAT TOP

7873 NE DAY ROAD  
BAMBRIDGE ISLAND, WA 98110  
PHONE - (888) 842-9492  
FAX - (206) 842-8179  
WWW.AGSSTAINLESS.COM



**NOTES:**

1. DECK STRUCTURE CAN VARY GREATLY. IT IS THE RESPONSIBILITY OF THE CUSTOMER TO VERIFY THAT THE SUPPORTING STRUCTURE IS ADEQUATE TO MEET THE LOAD REQUIREMENTS OF THE GOVERNING BUILDING CODE(S). AGS Stainless Inc. RECOMMENDS CONSULTING A DESIGN OR CONSTRUCTION PROFESSIONAL TO ADDRESS THESE ISSUES.



**END POST - WALL CONDITION**

**INTERMEDIATE POST CONDITION**

**SUPPORTING STRUCTURE (NOTE 1)**

**CORNER POST CONDITION**

**A TYPICAL RAILING CONDITION ELEVATION**

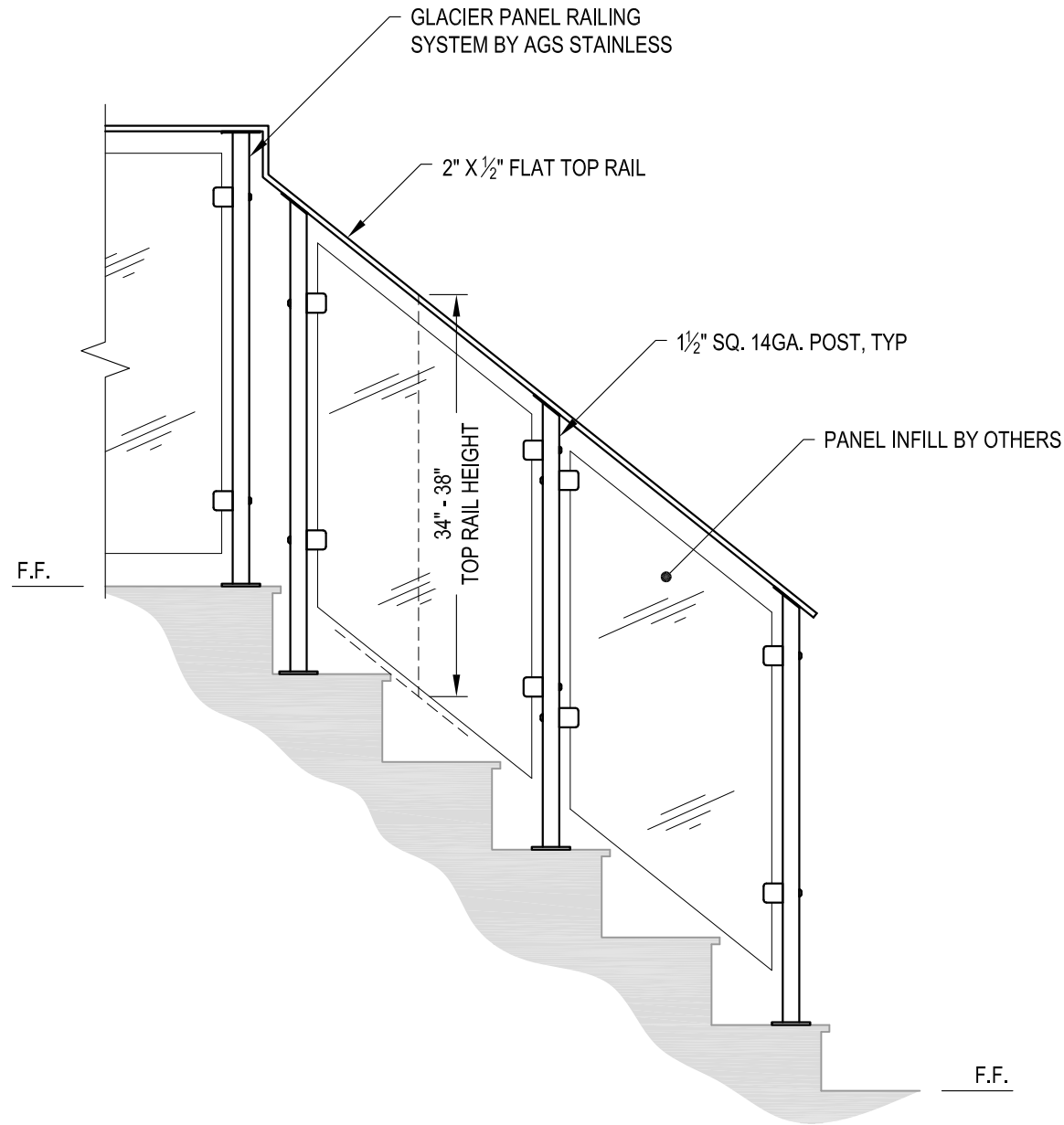
DATE	2024
SCALE	NONE
DESIGNER	AGS
SHEET	2 OF 4

GLACIER SPECIFICATION DRAWING  
\*\* RESIDENTIAL \*\*

42" TOP MOUNT - FLAT TOP

7873 MEADY ROAD  
BAMBRIDGE ISLAND, WA 98110  
PHONE - (888) 842-9492  
FAX - (206) 842-8179  
WWW.AGSSTAINLESS.COM





**A** STAIR  
ELEVATION

AGS Stainless Clearview® Railing Systems are designed to meet the requirements of the latest edition of the IRC/IBC.

**NOTES:**

1. STAIR CONSTRUCTION VARIES GREATLY. AS-BUILT CONDITIONS MAY ALTER RAILING DESIGN, INCLUDING POST LOCATION & MOUNTING, INFILL SPACING & TOP RAIL LAYOUT.

7873 ME DAY ROAD  
BAINBRIDGE ISLAND, WA 98110  
PHONE - (888) 842-9492  
FAX - (206) 842-8179  
WWW.AGSSTAINLESS.COM

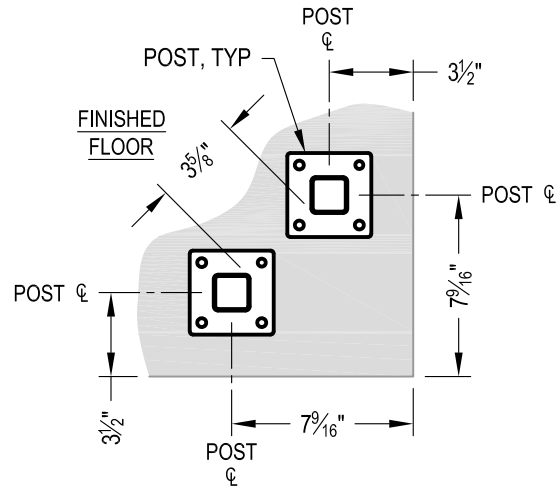


GLACIER SPECIFICATION DRAWING  
\*\* RESIDENTIAL \*\*

42" TOP MOUNT - FLAT TOP

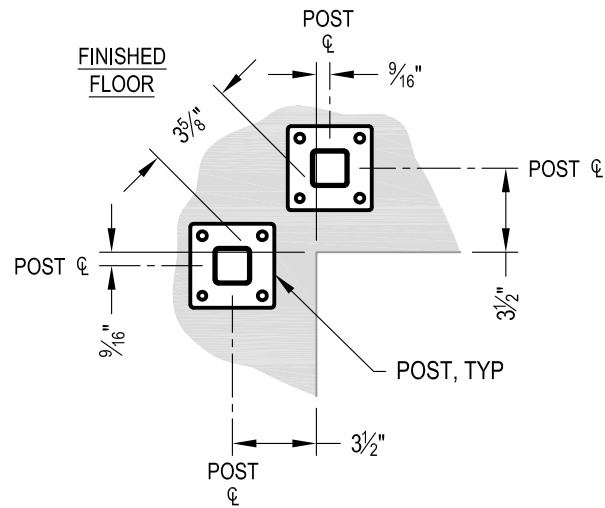
DATE	2024	SHEET	3 OF 4
SCALE	NONE		
DESIGNER	AGS		

PROJECT: GLACIER TM42F



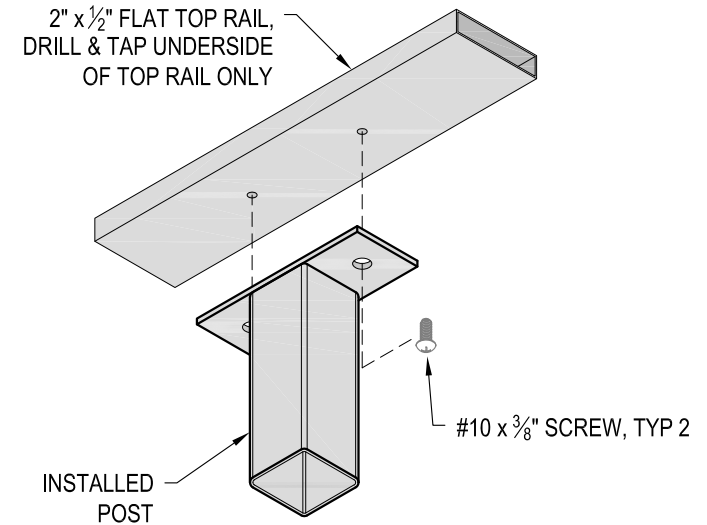
NOTE: 90° SHOWN, OTHER ANGLES SIMILAR

**A** TYPICAL TOP MOUNT OUTSIDE CORNER  
DETAIL

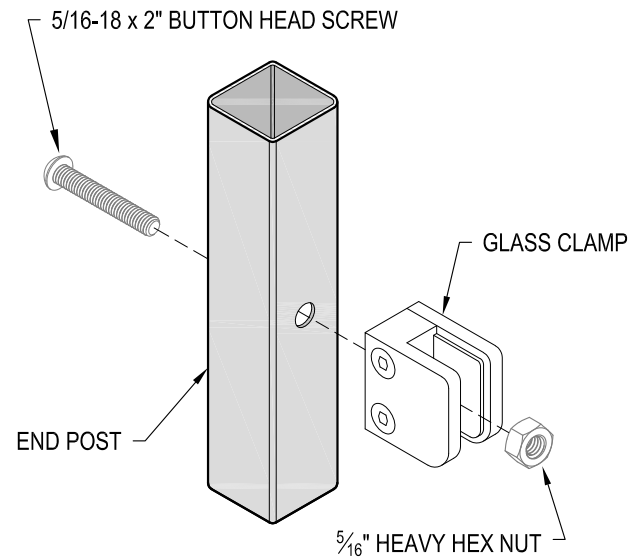


NOTE: 90° SHOWN, OTHER ANGLES SIMILAR

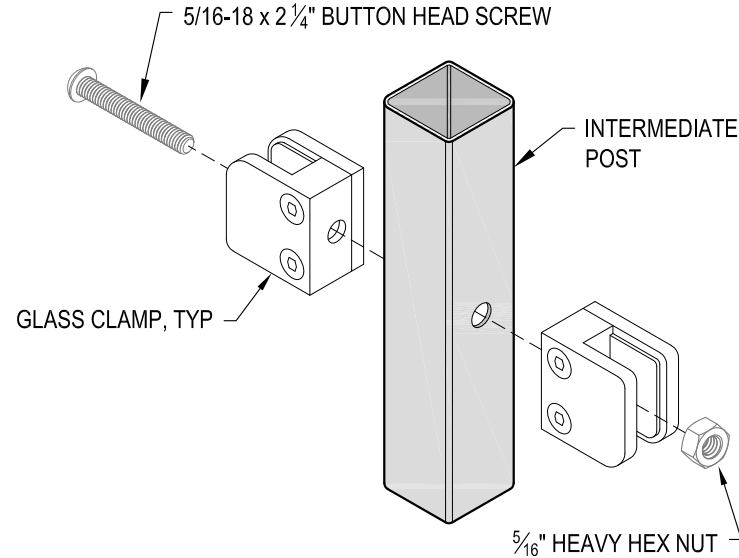
**B** TYPICAL TOP MOUNT INSIDE CORNER  
DETAIL



**C** TOP RAIL INSTALLATION - FLAT  
DETAIL



**D** END POST GLASS CLAMP INSTALLATION  
DETAIL



**E** INTERMEDIATE POST GLASS CLAMP INSTALLATION  
DETAIL

AGS Stainless Clearview® Railing Systems are designed to meet the requirements of the latest edition of the IRC/IBC.

DATE	GLACIER TM42F
SCALE	NONE
DESIGNER	AGS
SHEET	4 OF 4

GLACIER SPECIFICATION DRAWING  
\*\* RESIDENTIAL \*\*

42" TOP MOUNT - FLAT TOP

7873 MEADY ROAD  
BAMBRIDGE ISLAND, WA 98110  
PHONE - (888) 842-9492  
FAX - (206) 842-8779  
WWW.AGSSTAINLESS.COM

