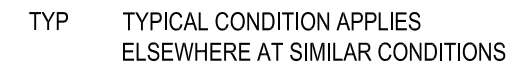
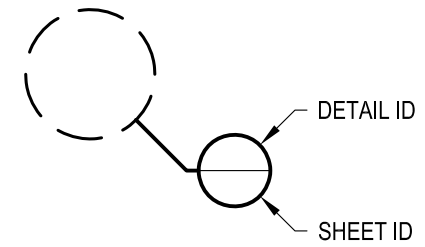


1 EXAMPLE POST LAYOUT
PLAN VIEW

NOTES:

1. TOP RAIL NOT SHOWN FOR CLARITY.
2. ALL PARTS AND COMPONENTS MADE WITH 316 STAINLESS STEEL UNLESS NOTED OTHERWISE.

LEGEND



OWNER	GLACIER TM42W
SCALE	NONE
DATE	2024
DESIGNER	AGS
SHEET	1 OF 4

GLACIER SPECIFICATION DRAWING
** RESIDENTIAL **

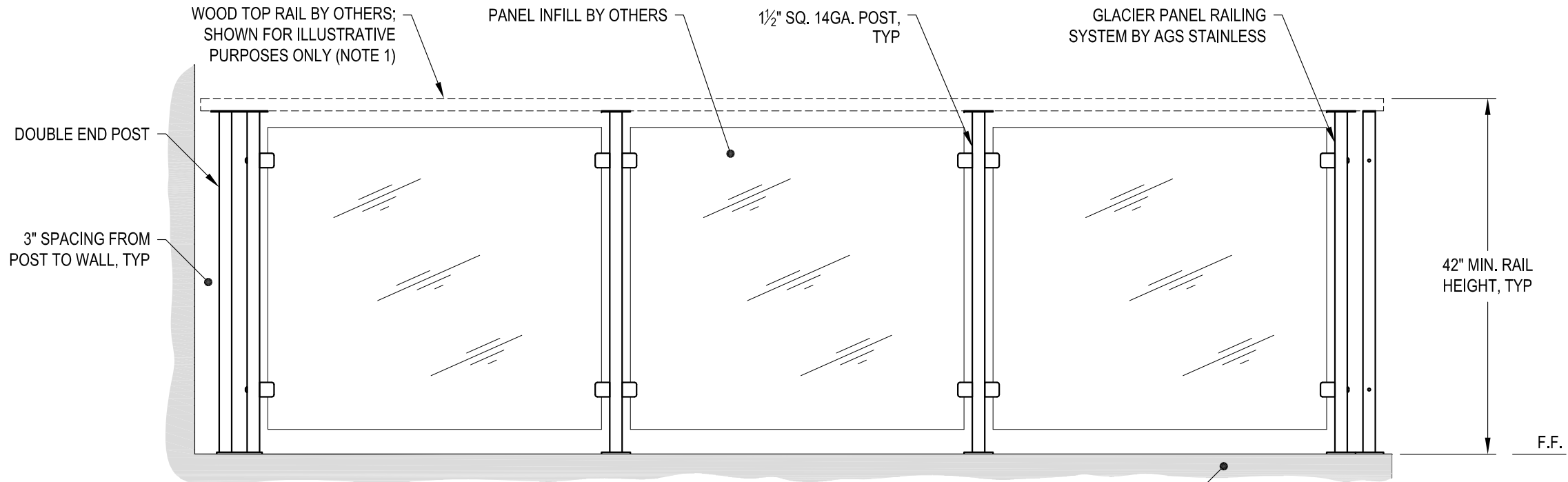
42" TOP MOUNT - WOOD TOP

7873 NE DAY ROAD
BAMBRIDGE ISLAND, WA 98110
PHONE - (888) 842-9492
FAX - (206) 842-8179
WWW.AGSSTAINLESS.COM



NOTES:

1. TOP RAIL SHOULD BE SELECTED SO THAT ALL GOVERNING CODE REQUIREMENTS ARE SATISFIED. THESE INCLUDE SHAPE, STRENGTH AND RAILING HEIGHT.
2. DECK STRUCTURE CAN VARY GREATLY. IT IS THE RESPONSIBILITY OF THE CUSTOMER TO VERIFY THAT THE SUPPORTING STRUCTURE IS ADEQUATE TO MEET THE LOAD REQUIREMENTS OF THE GOVERNING BUILDING CODE(S). AGS Stainless Inc. RECOMMENDS CONSULTING A DESIGN OR CONSTRUCTION PROFESSIONAL TO ADDRESS THESE ISSUES.



END POST - WALL CONDITION

INTERMEDIATE POST CONDITION

SUPPORTING STRUCTURE (NOTE 2)

CORNER POST CONDITION

A TYPICAL RAILING CONDITION ELEVATION

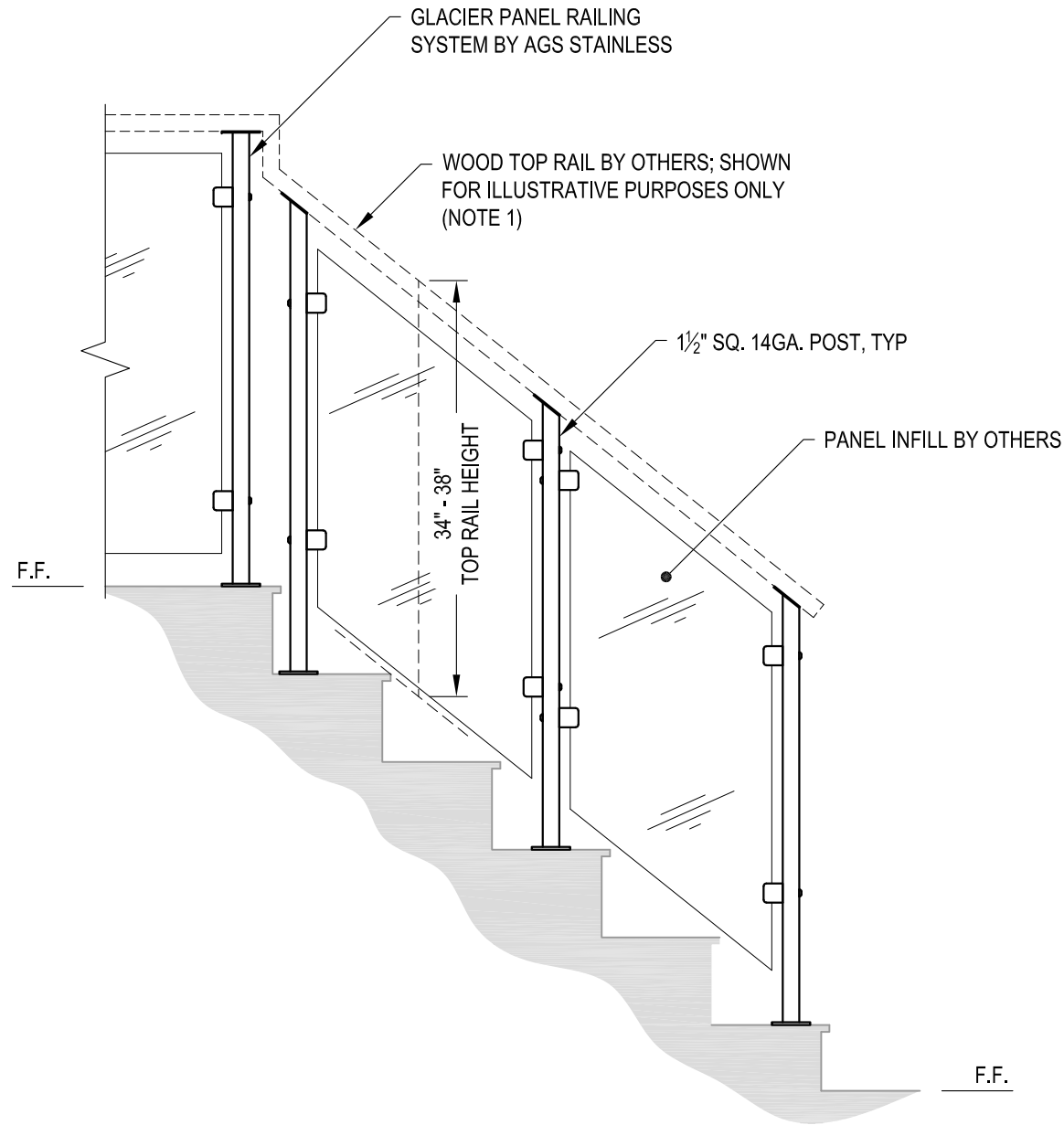
DWG#	GLACIER TM42W	DATE	2024
	SCALE		NONE
DESIGNER	AGS	SHEET	2 OF 4

GLACIER SPECIFICATION DRAWING
** RESIDENTIAL **

42" TOP MOUNT - WOOD TOP

7873 NE DAY ROAD
BAMBRIDGE ISLAND, WA 98110
PHONE - (888) 842-9492
FAX - (206) 842-8179
WWW.AGSSTAINLESS.COM





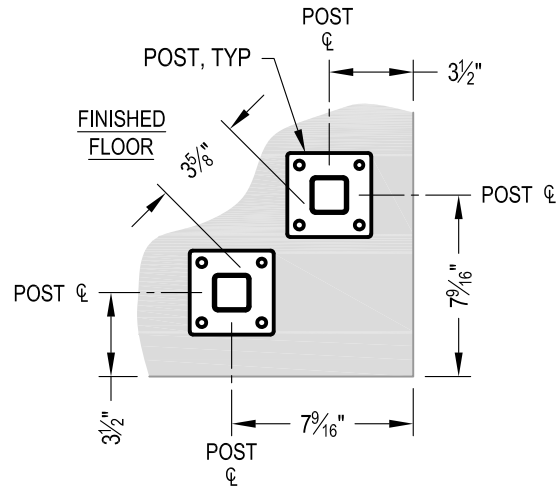
A STAIR
ELEVATION

NOTES:

1. TOP RAIL SHOULD BE SELECTED SO THAT ALL GOVERNING CODE REQUIREMENTS ARE SATISFIED. THESE INCLUDE SHAPE, STRENGTH AND RAILING HEIGHT.
2. STAIR CONSTRUCTION VARIES GREATLY. AS-BUILT CONDITIONS MAY ALTER RAILING DESIGN, INCLUDING POST LOCATION & MOUNTING, INFILL SPACING & TOP RAIL LAYOUT.

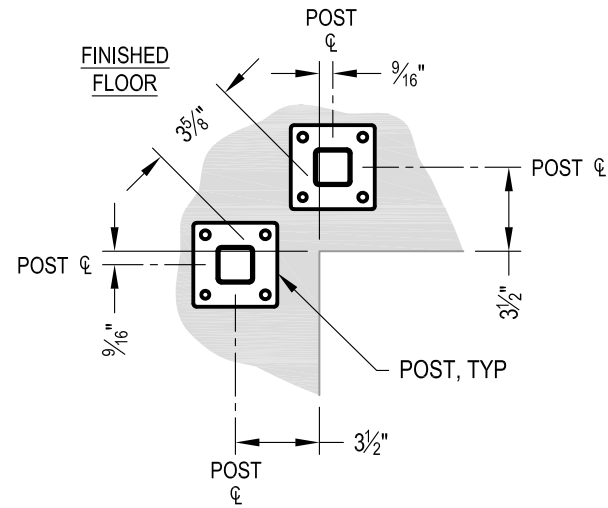
AGS Stainless Clearview® Railing Systems are designed to meet the requirements of the latest edition of the IRC/IBC.

DWG#	GLACIER TM42W	DATE	2024	SHEET	3 OF 4
	SCALE		NONE		DESIGNER
GLACIER SPECIFICATION DRAWING					
** RESIDENTIAL **					
42" TOP MOUNT - WOOD TOP					
7873 NE DAY ROAD BAINBRIDGE ISLAND, WA 98110 PHONE - (888) 842-9492 FAX - (206) 842-8179 WWW.AGSSTAINLESS.COM					



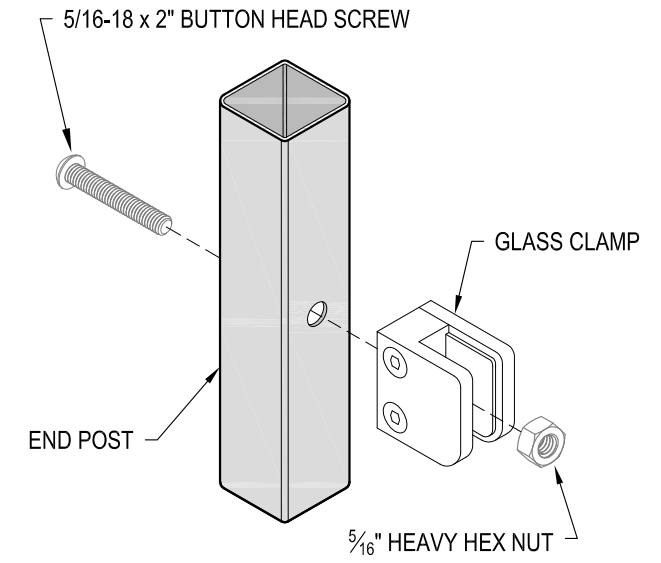
NOTE: 90° SHOWN, OTHER ANGLES SIMILAR

A TYPICAL TOP MOUNT OUTSIDE CORNER
DETAIL

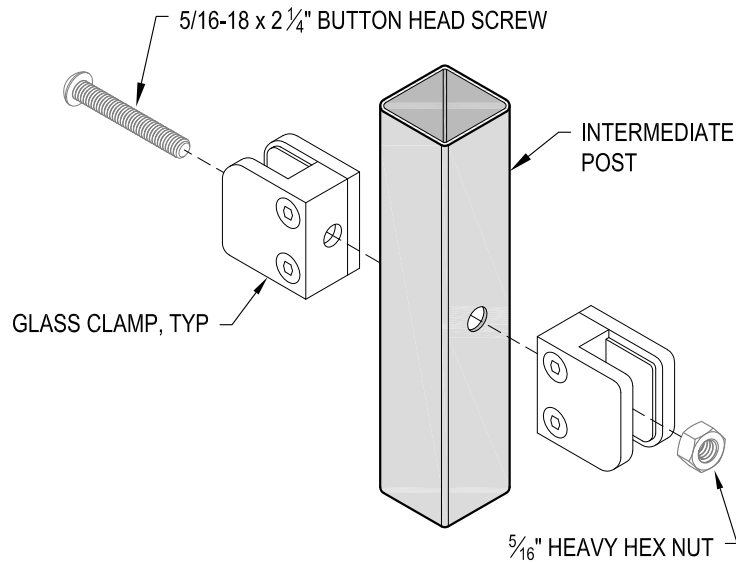


NOTE: 90° SHOWN, OTHER ANGLES SIMILAR

B TYPICAL TOP MOUNT INSIDE CORNER
DETAIL



C END POST GLASS CLAMP INSTALLATION
DETAIL



D INTERMEDIATE POST GLASS CLAMP INSTALLATION
DETAIL

AGS Stainless Clearview® Railing Systems are designed to meet the requirements of the latest edition of the IRC/IBC.