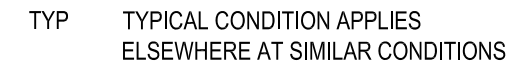
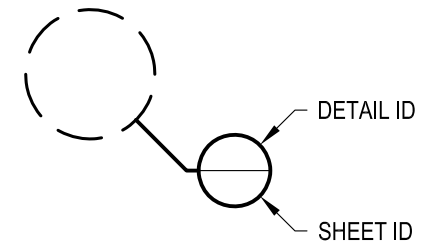


1 EXAMPLE POST LAYOUT
PLAN VIEW

NOTES:

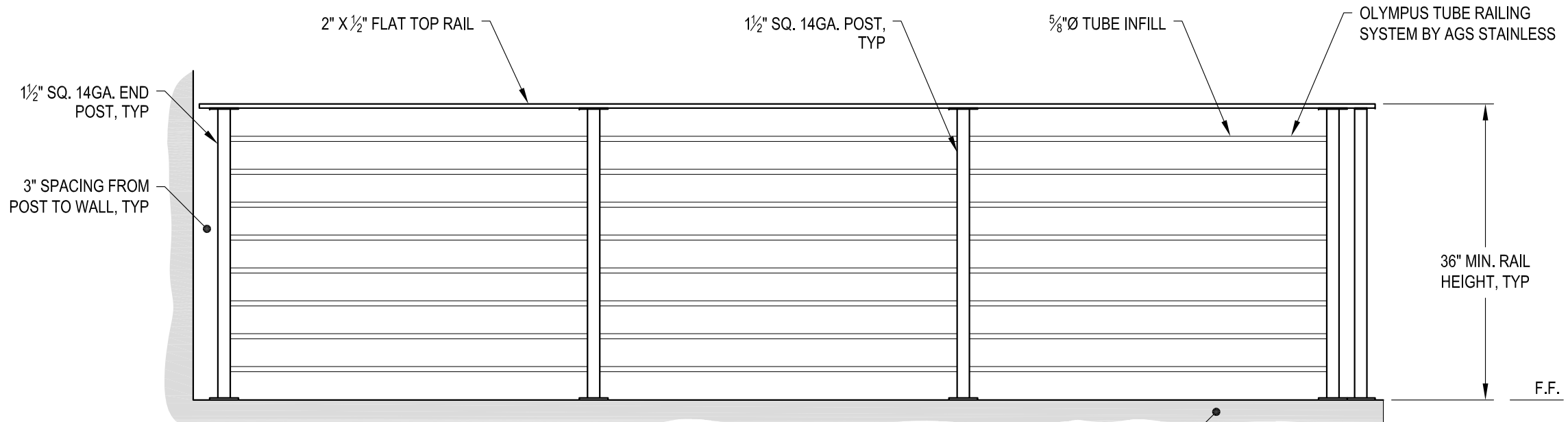
1. TOP RAIL NOT SHOWN FOR CLARITY.
2. ALL PARTS AND COMPONENTS MADE WITH 316 STAINLESS STEEL UNLESS NOTED OTHERWISE.

LEGEND



NOTES:

1. DECK STRUCTURE CAN VARY GREATLY. IT IS THE RESPONSIBILITY OF THE CUSTOMER TO VERIFY THAT THE SUPPORTING STRUCTURE IS ADEQUATE TO MEET THE LOAD REQUIREMENTS OF THE GOVERNING BUILDING CODE(S). AGS Stainless Inc. RECOMMENDS CONSULTING A DESIGN OR CONSTRUCTION PROFESSIONAL TO ADDRESS THESE ISSUES.



END POST - WALL CONDITION

INTERMEDIATE POST CONDITION

SUPPORTING
STRUCTURE (NOTE 1)

CORNER POST CONDITION

36" MIN. RAIL
HEIGHT, TYP

F.F.

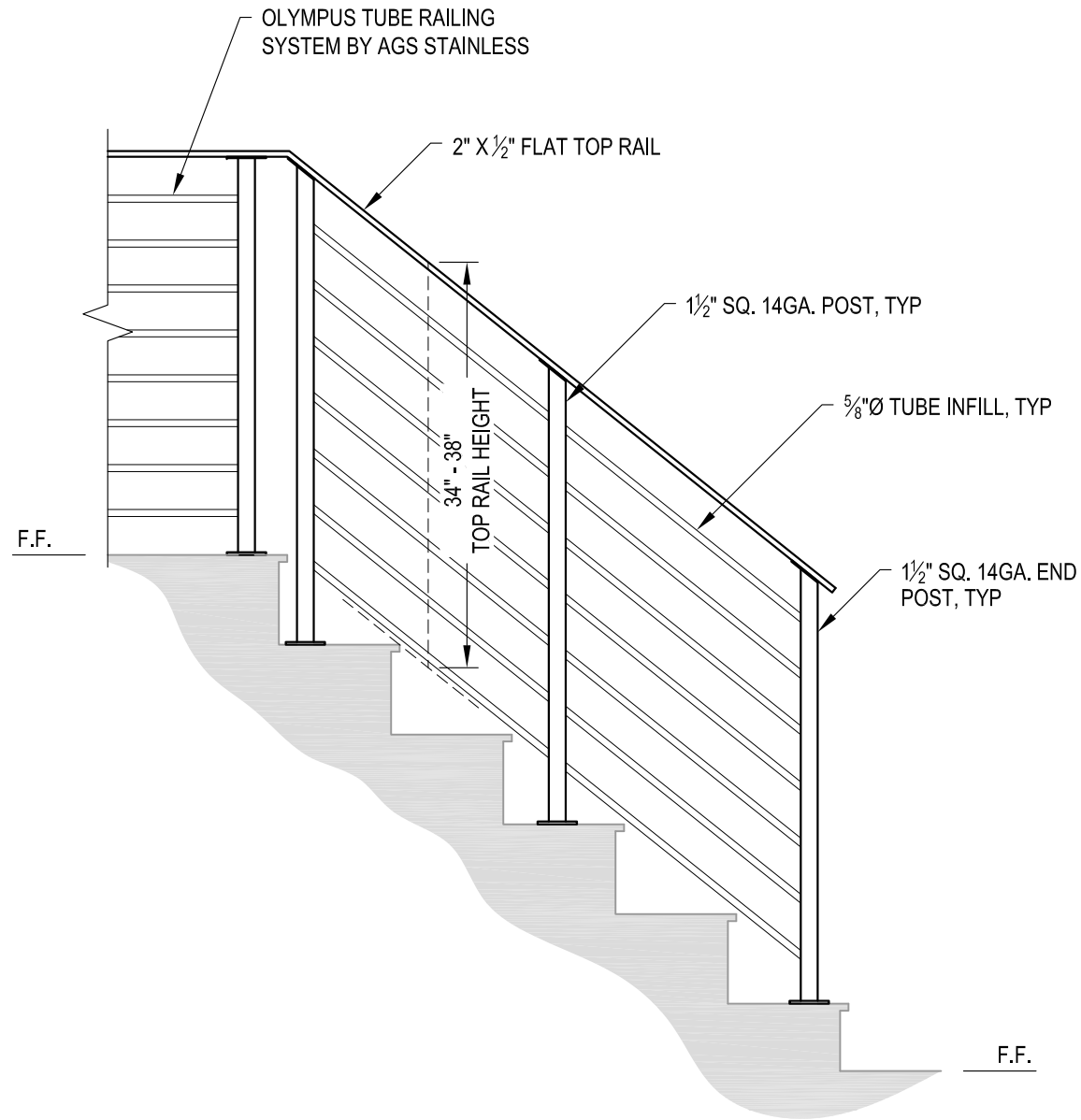
A TYPICAL RAILING CONDITION
ELEVATION

OLYMPUS TM36F	DATE	2024
SCALE	NONE	
DESIGNER	AGS	SHEET
		2 OF 4

OLYMPUS SPECIFICATION DRAWING
** RESIDENTIAL **
36" TOP MOUNT - FLAT TOP

7873 NE DAY ROAD
BAMBRIDGE ISLAND, WA 98110
PHONE - (888) 842-9492
FAX - (206) 842-8779
WWW.AGSSTAINLESS.COM





A STAIR ELEVATION

NOTES:

1. STAIR CONSTRUCTION VARIES GREATLY. AS-BUILT CONDITIONS MAY ALTER RAILING DESIGN, INCLUDING POST LOCATION & MOUNTING, INFILL SPACING & TOP RAIL LAYOUT.

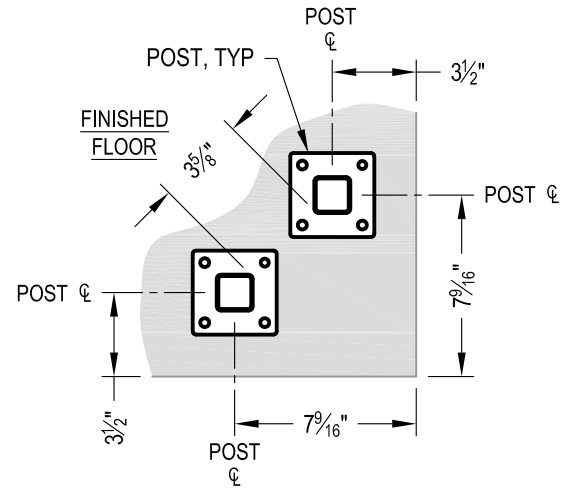
AGS Stainless Clearview® Railing Systems are designed to meet the requirements of the latest edition of the IRC/IBC.

DATE	2024	DESIGNER	AGS	SHEET	3 OF 4
SCALE	NONE				
OLYMPUS TM36F					

OLYMPUS SPECIFICATION DRAWING
 ** RESIDENTIAL **
 36" TOP MOUNT - FLAT TOP

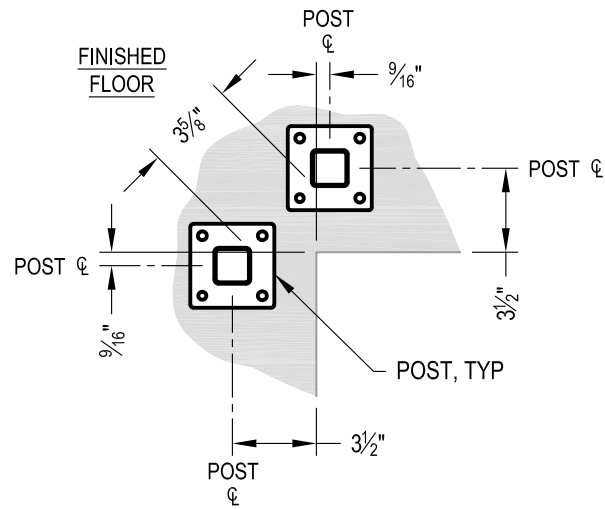
7873 MEADY ROAD
 BAINBRIDGE ISLAND, WA 98110
 PHONE - (888) 842-9492
 FAX - (206) 842-8779
 WWW.AGSSTAINLESS.COM





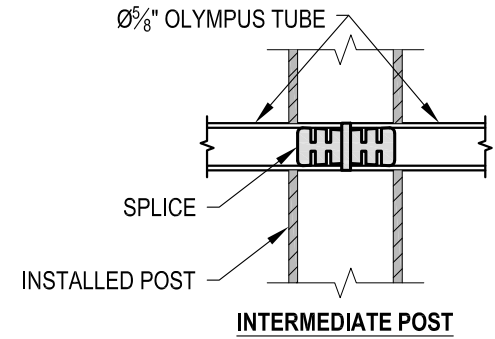
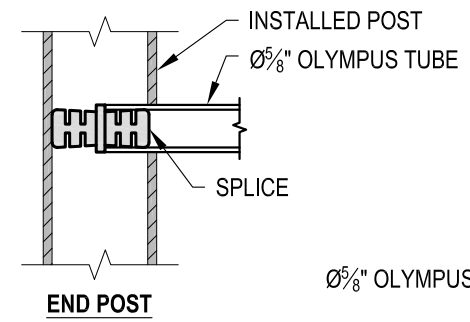
NOTE: 90° SHOWN, OTHER ANGLES SIMILAR

A TYPICAL TOP MOUNT OUTSIDE CORNER DETAIL

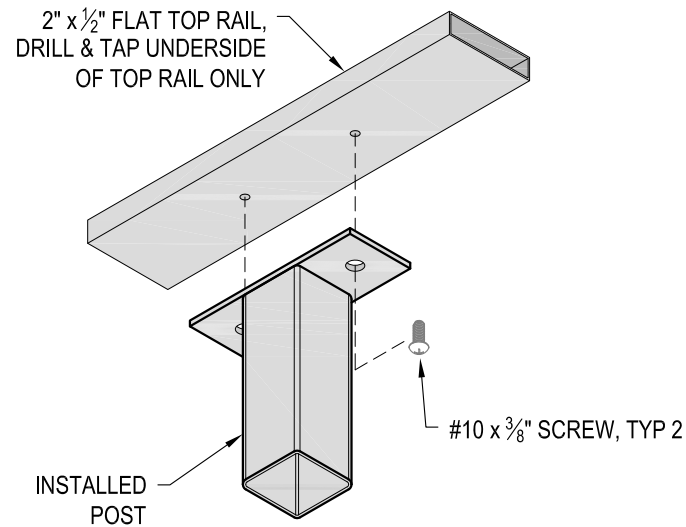


NOTE: 90° SHOWN, OTHER ANGLES SIMILAR

B TYPICAL TOP MOUNT INSIDE CORNER DETAIL



C FITTING INSTALLATION - OLYMPUS SPLICE DETAIL



D TOP RAIL INSTALLATION - FLAT DETAIL

DATE	2024
SCALE	NONE
DESIGNER	AGS
SHEET	4 OF 4

OLYMPUS SPECIFICATION DRAWING
 ** RESIDENTIAL **
 36" TOP MOUNT - FLAT TOP

7873 MEADY ROAD
 BAINBRIDGE ISLAND, WA 98110
 PHONE - (888) 842-9492
 FAX - (206) 842-8779
 WWW.AGSSTAINLESS.COM

