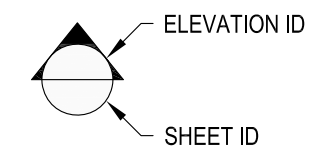
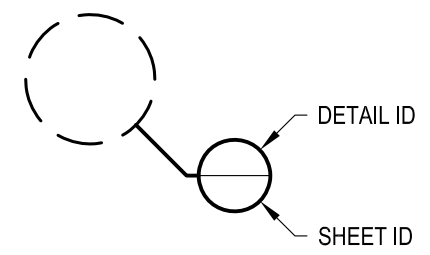


1 EXAMPLE POST LAYOUT  
PLAN VIEW

NOTES:

1. TOP RAIL NOT SHOWN FOR CLARITY.
2. ALL PARTS AND COMPONENTS MADE WITH 316 STAINLESS STEEL UNLESS NOTED OTHERWISE.

LEGEND

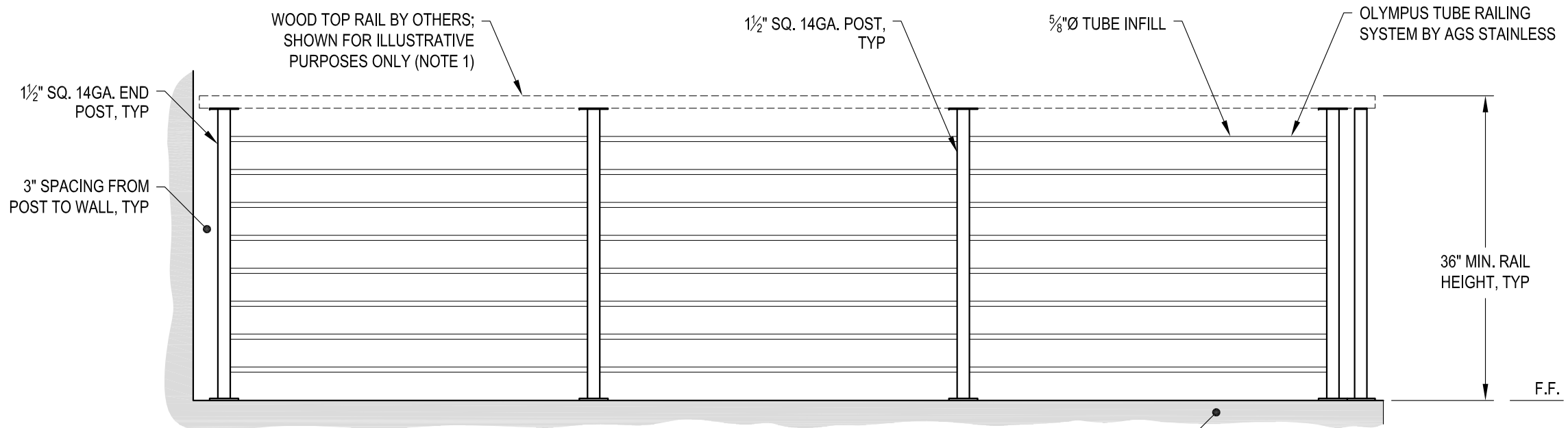


TYP TYPICAL CONDITION APPLIES ELSEWHERE AT SIMILAR CONDITIONS

OLYMPUS TM36W	DATE	2024
	SCALE	NONE
DESIGNER	AGS	SHEET
OLYMPUS SPECIFICATION DRAWING		1 OF 4
** RESIDENTIAL **		
36" TOP MOUNT - WOOD TOP		
7873 NE DAY ROAD BAINBRIDGE ISLAND, WA 98110 PHONE - (888) 842-9492 FAX - (206) 842-8179 WWW.AGSSTAINLESS.COM		
 CLEARVIEW® Railing Systems		

**NOTES:**

1. TOP RAIL SHOULD BE SELECTED SO THAT ALL GOVERNING CODE REQUIREMENTS ARE SATISFIED. THESE INCLUDE SHAPE, STRENGTH AND RAILING HEIGHT.
2. DECK STRUCTURE CAN VARY GREATLY. IT IS THE RESPONSIBILITY OF THE CUSTOMER TO VERIFY THAT THE SUPPORTING STRUCTURE IS ADEQUATE TO MEET THE LOAD REQUIREMENTS OF THE GOVERNING BUILDING CODE(S). AGS Stainless Inc. RECOMMENDS CONSULTING A DESIGN OR CONSTRUCTION PROFESSIONAL TO ADDRESS THESE ISSUES.



**END POST - WALL CONDITION**

**INTERMEDIATE POST CONDITION**

**SUPPORTING STRUCTURE (NOTE 2)**

**CORNER POST CONDITION**

**A** TYPICAL RAILING CONDITION ELEVATION

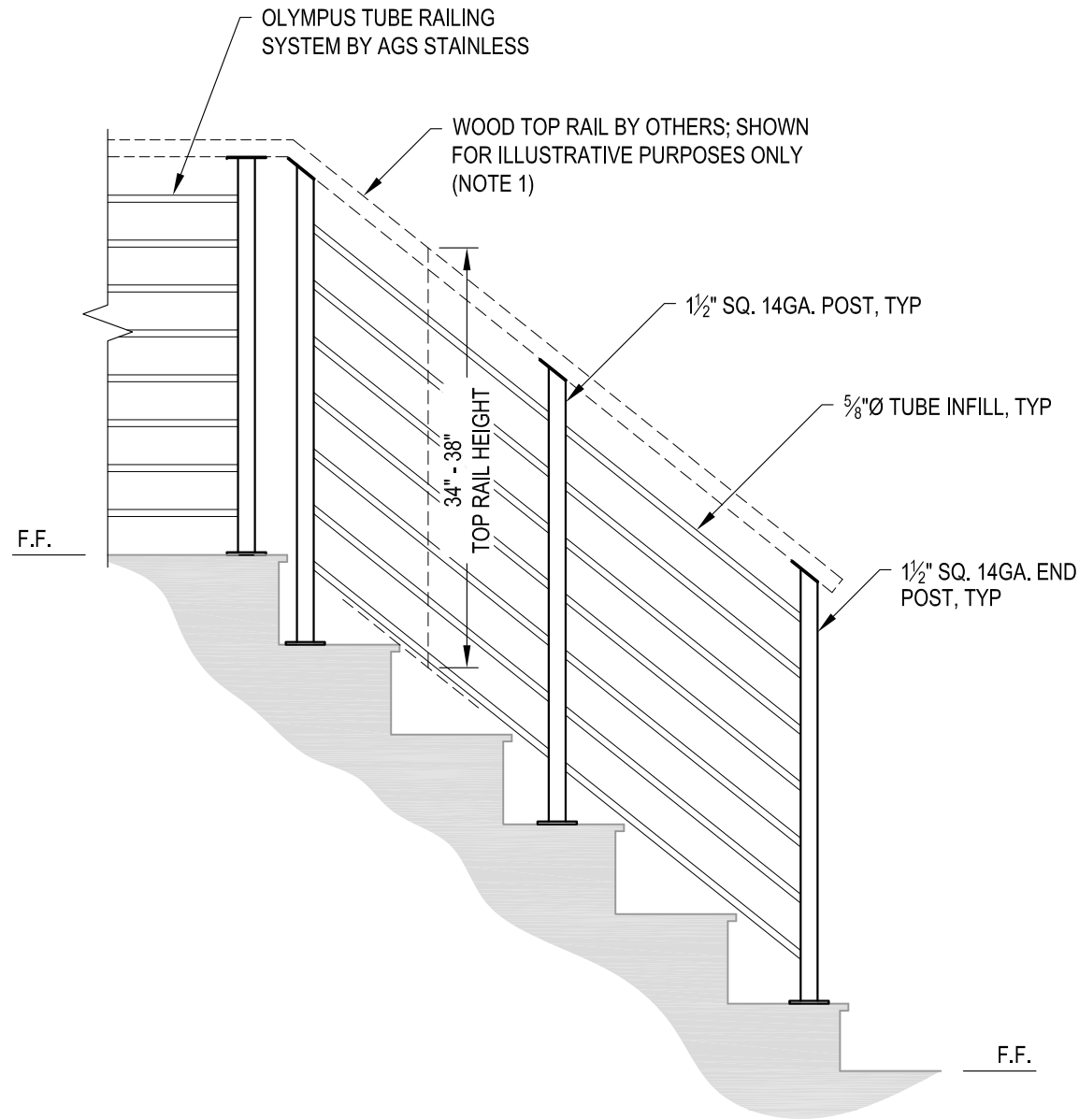
DATE	2024	SHEET	2 OF 4
SCALE	NONE		
DESIGNER	AGS		

OLYMPUS SPECIFICATION DRAWING  
\*\* RESIDENTIAL \*\*

36" TOP MOUNT - WOOD TOP

7873 NE DAY ROAD  
BAMBRIDGE ISLAND, WA 98110  
PHONE - (888) 842-9492  
FAX - (206) 842-8179  
WWW.AGSSTAINLESS.COM





**A** STAIR  
ELEVATION

**NOTES:**

1. TOP RAIL SHOULD BE SELECTED SO THAT ALL GOVERNING CODE REQUIREMENTS ARE SATISFIED. THESE INCLUDE SHAPE, STRENGTH AND RAILING HEIGHT.
2. STAIR CONSTRUCTION VARIES GREATLY. AS-BUILT CONDITIONS MAY ALTER RAILING DESIGN, INCLUDING POST LOCATION & MOUNTING, INFILL SPACING & TOP RAIL LAYOUT.

AGS Stainless Clearview® Railing Systems are designed to meet the requirements of the latest edition of the IRC/IBC.

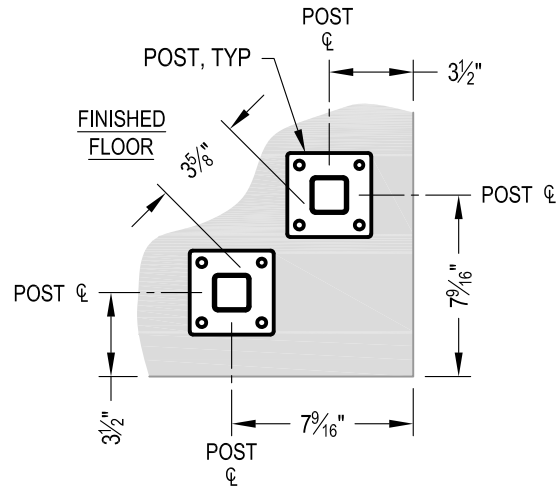
DATE	OLYMPUS TM36W
SCALE	NONE
DESIGNER	AGS
DATE	2024
SHEET	3 OF 4

OLYMPUS SPECIFICATION DRAWING  
\*\* RESIDENTIAL \*\*

36" TOP MOUNT - WOOD TOP

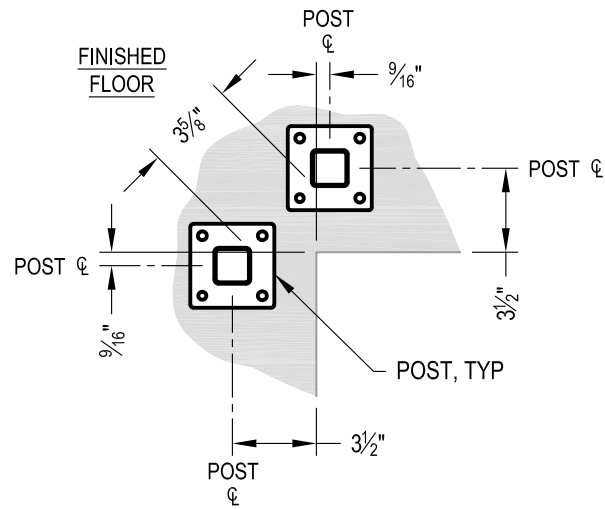
7873 MEADY ROAD  
BAINBRIDGE ISLAND, WA 98110  
PHONE - (888) 842-9492  
FAX - (206) 842-8179  
WWW.AGSSTAINLESS.COM





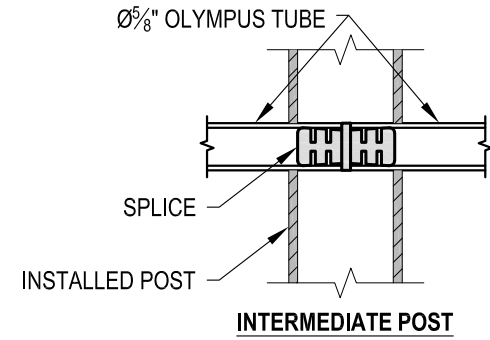
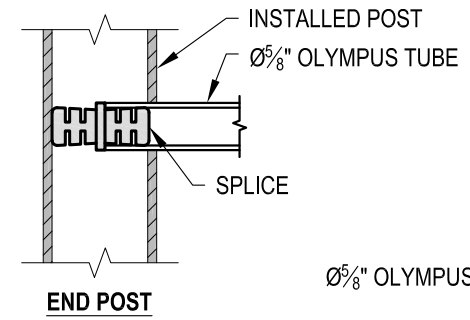
NOTE: 90° SHOWN, OTHER ANGLES SIMILAR

**A** TYPICAL TOP MOUNT OUTSIDE CORNER  
DETAIL



NOTE: 90° SHOWN, OTHER ANGLES SIMILAR

**B** TYPICAL TOP MOUNT INSIDE CORNER  
DETAIL



**C** FITTING INSTALLATION - OLYMPUS SPLICE  
DETAIL

7873 MEYER ROAD  
BAMBRIDGE ISLAND, WA 98110  
PHONE - (888) 842-9492  
FAX - (206) 842-8179  
WWW.AGSSTAINLESS.COM



OLYMPUS SPECIFICATION DRAWING  
\*\* RESIDENTIAL \*\*

36" TOP MOUNT - WOOD TOP

OLYMPUS TM36W  
SCALE NONE  
DESIGNER AGS  
DATE 2024  
SHEET 4 OF 4