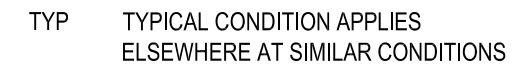
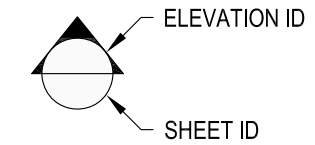
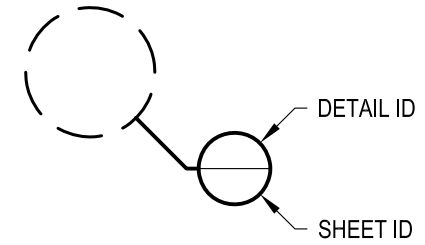


1 EXAMPLE POST LAYOUT
PLAN VIEW

NOTES:

1. TOP RAIL NOT SHOWN FOR CLARITY.
2. ALL PARTS AND COMPONENTS MADE WITH 316 STAINLESS STEEL UNLESS NOTED OTHERWISE.

LEGEND



OLYMPUS TM42F	DATE	2024
SCALE	NONE	
DESIGNER	AGS	SHEET
		1 OF 4

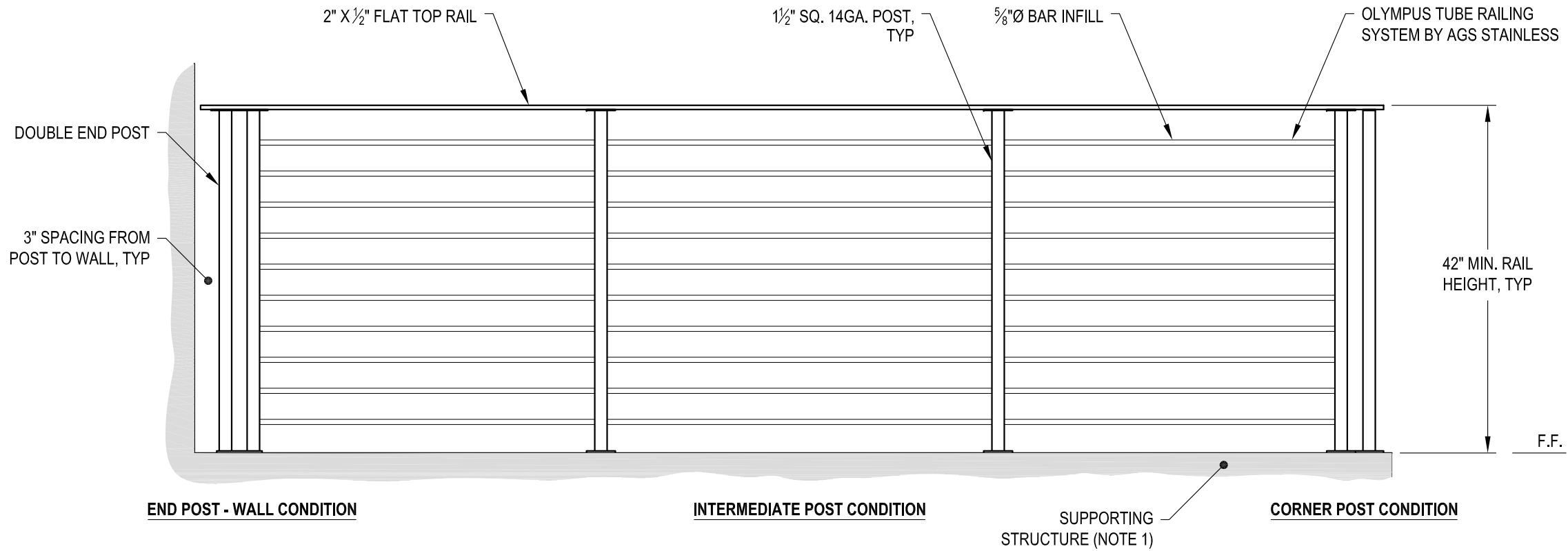
OLYMPUS SPECIFICATION DRAWING
** RESIDENTIAL **
42" TOP MOUNT - FLAT TOP

7873 NE DAY ROAD
BAMBRIDGE ISLAND, WA 98110
PHONE - (888) 842-9492
FAX - (206) 842-8179
WWW.AGSSTAINLESS.COM



NOTES:

1. DECK STRUCTURE CAN VARY GREATLY. IT IS THE RESPONSIBILITY OF THE CUSTOMER TO VERIFY THAT THE SUPPORTING STRUCTURE IS ADEQUATE TO MEET THE LOAD REQUIREMENTS OF THE GOVERNING BUILDING CODE(S). *AGS Stainless Inc.* RECOMMENDS CONSULTING A DESIGN OR CONSTRUCTION PROFESSIONAL TO ADDRESS THESE ISSUES.

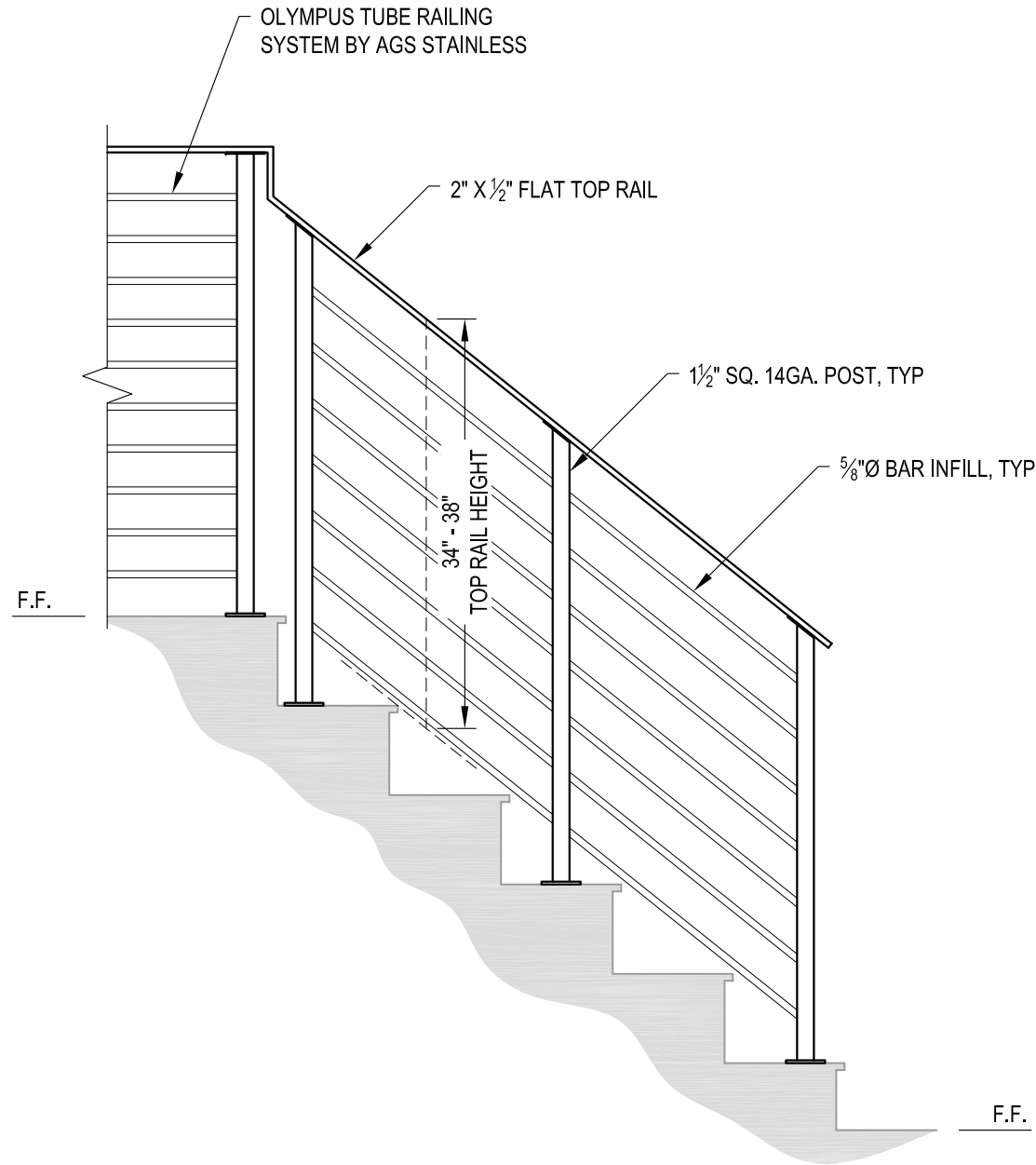


A TYPICAL RAILING CONDITION ELEVATION

OLYMPUS SPECIFICATION DRAWING ** RESIDENTIAL **	OLYMPUS TM42F	2024
	SCALE NONE	DATE
42" TOP MOUNT - FLAT TOP	AGS	DESIGNER SHEET 2 OF 4

7873 NE DAY ROAD
BAMBRIDGE ISLAND, WA 98110
PHONE - (888) 842-9492
FAX - (206) 842-8179
WWW.AGSSTAINLESS.COM





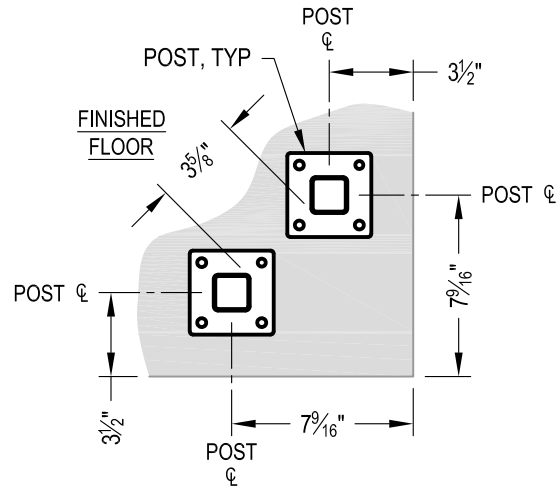
A STAIR
ELEVATION

AGS Stainless Clearview® Railing Systems are designed to meet the requirements of the latest edition of the IRC/IBC.

NOTES:

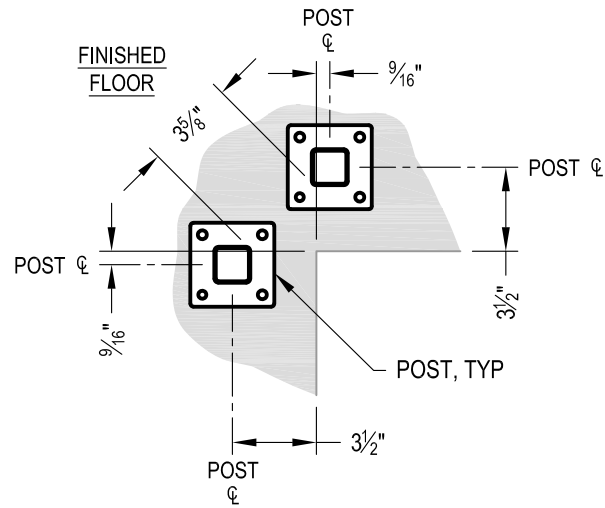
1. STAIR CONSTRUCTION VARIES GREATLY. AS-BUILT CONDITIONS MAY ALTER RAILING DESIGN, INCLUDING POST LOCATION & MOUNTING, INFILL SPACING & TOP RAIL LAYOUT.

OLYMPUS SPECIFICATION DRAWING ** RESIDENTIAL ** 42" TOP MOUNT - FLAT TOP	OLYMPUS TM42F
	DATE 2024 SHEET 3 OF 4
7873 MEADY ROAD BANBRIDGE ISLAND, WA 98110 PHONE - (888) 842-9492 FAX - (206) 842-8179 WWW.AGSSTAINLESS.COM	AGS CLEARVIEW® Railing Systems



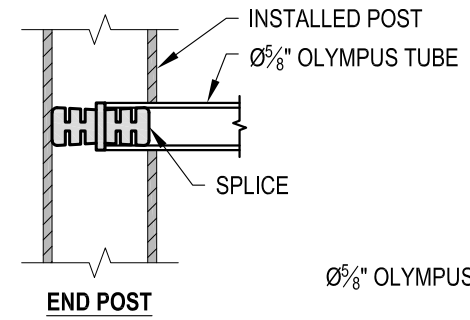
NOTE: 90° SHOWN, OTHER ANGLES SIMILAR

A TYPICAL TOP MOUNT OUTSIDE CORNER DETAIL

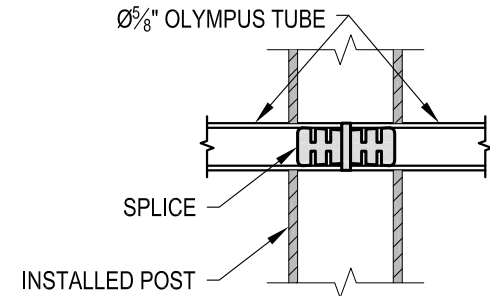


NOTE: 90° SHOWN, OTHER ANGLES SIMILAR

B TYPICAL TOP MOUNT INSIDE CORNER DETAIL

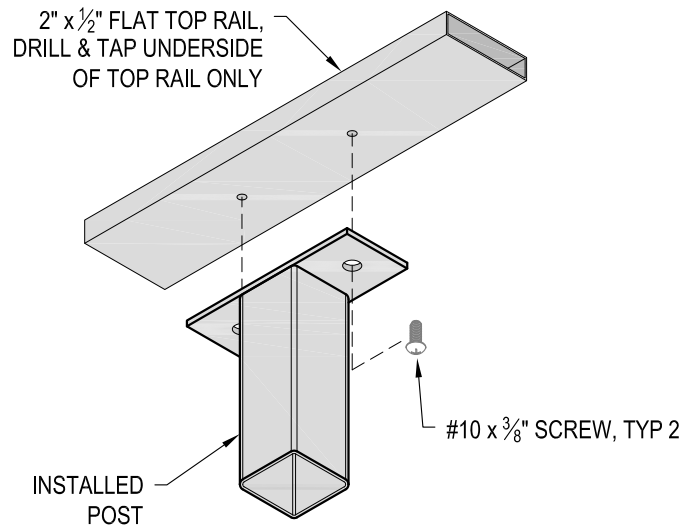


END POST



INTERMEDIATE POST

C FITTING INSTALLATION - OLYMPUS SPLICE DETAIL



D TOP RAIL INSTALLATION - FLAT DETAIL

DATE	2024
SCALE	NONE
DESIGNER	AGS
SHEET	4 OF 4

OLYMPUS SPECIFICATION DRAWING
 ** RESIDENTIAL **

42" TOP MOUNT - FLAT TOP

7873 MEADY ROAD
 BAINBRIDGE ISLAND, WA 98110
 PHONE - (888) 842-9492
 FAX - (206) 842-8779
 WWW.AGSSTAINLESS.COM

