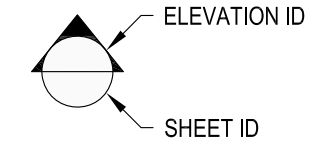
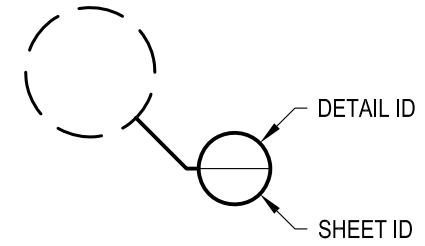


1 EXAMPLE POST LAYOUT
PLAN VIEW

NOTES:

1. TOP RAIL NOT SHOWN FOR CLARITY.
2. ALL PARTS AND COMPONENTS MADE WITH 316 STAINLESS STEEL UNLESS NOTED OTHERWISE.

LEGEND



□ CORE MOUNT POST

⊕ CENTERLINE

F.F. FINISHED FLOOR

TYP TYPICAL CONDITION APPLIES ELSEWHERE AT SIMILAR CONDITIONS

OWNER	RAINIER CM36F
SCALE	NONE
DATE	2024
DESIGNER	AGS
SHEET	1 OF 4

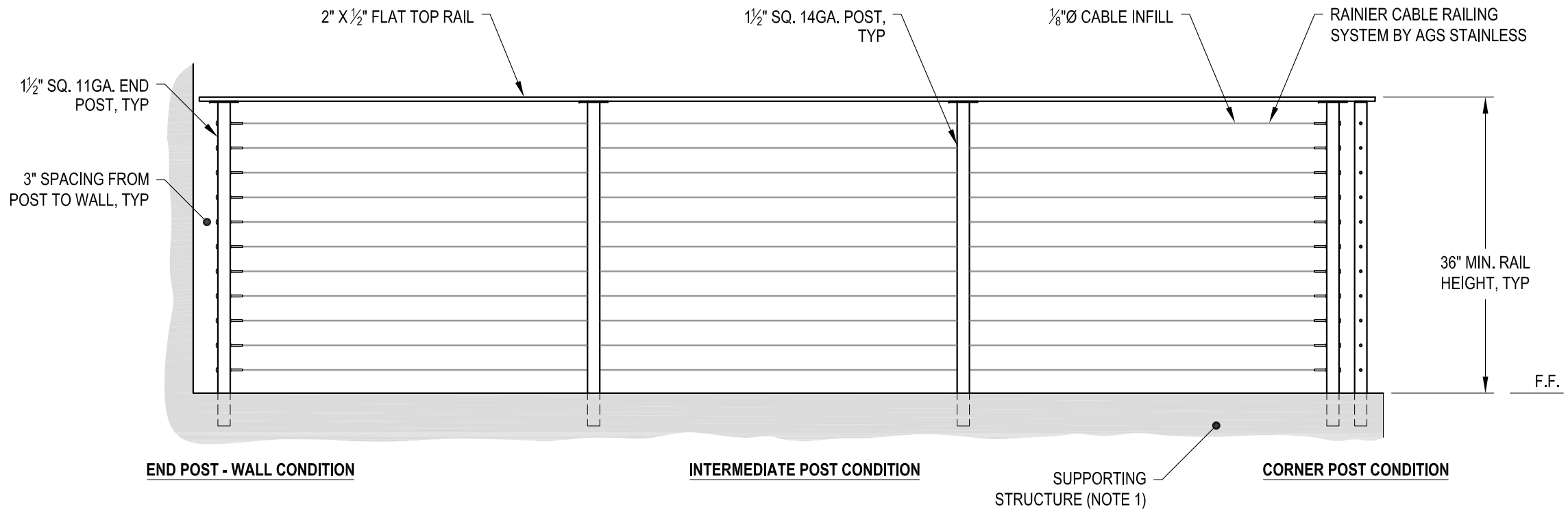
RAINIER SPECIFICATION DRAWING
** RESIDENTIAL **
36" CORE MOUNT - FLAT TOP

7873 NE DAY ROAD
BAINBRIDGE ISLAND, WA 98110
PHONE - (888) 842-9492
FAX - (206) 842-8179
WWW.AGSSTAINLESS.COM



NOTES:

- DECK STRUCTURE CAN VARY GREATLY. IT IS THE RESPONSIBILITY OF THE CUSTOMER TO VERIFY THAT THE SUPPORTING STRUCTURE IS ADEQUATE TO MEET THE LOAD REQUIREMENTS OF THE GOVERNING BUILDING CODE(S). *AGS Stainless Inc.* RECOMMENDS CONSULTING A DESIGN OR CONSTRUCTION PROFESSIONAL TO ADDRESS THESE ISSUES.



A TYPICAL RAILING CONDITION ELEVATION

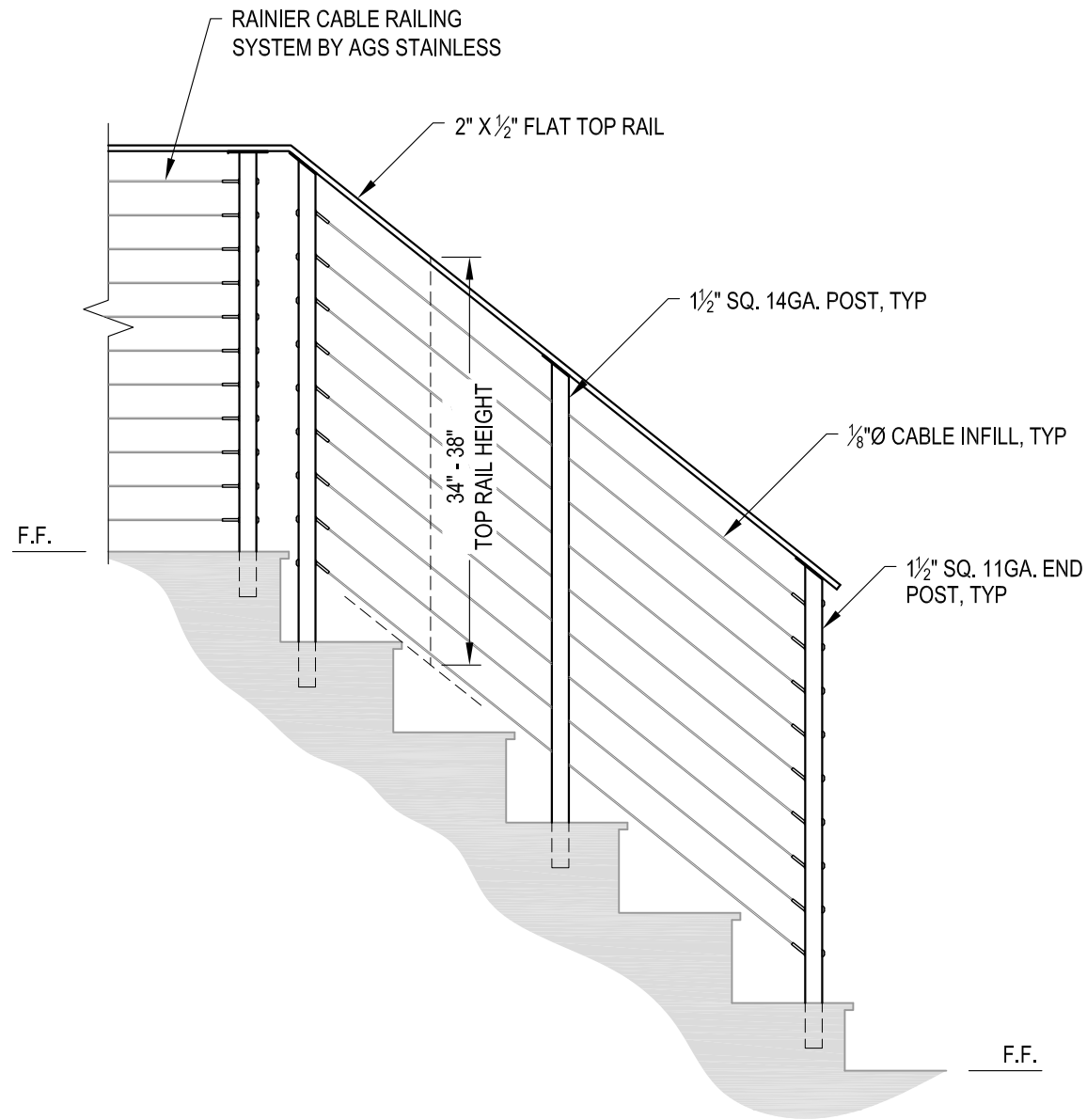
DATE	2024	SHEET	2 OF 4
SCALE	NONE		
DESIGNER	AGS		

RAINIER SPECIFICATION DRAWING
 ** RESIDENTIAL **

36" CORE MOUNT - FLAT TOP

7873 NE DAY ROAD
 BAINBRIDGE ISLAND, WA 98110
 PHONE - (888) 842-9492
 FAX - (206) 842-8179
 WWW.AGSSTAINLESS.COM





A STAIR
ELEVATION

AGS Stainless Clearview® Railing Systems are designed to meet the requirements of the latest edition of the IRC/IBC.

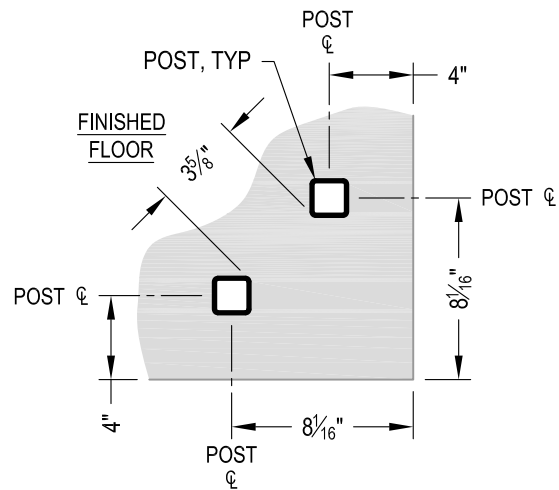
NOTES:

1. STAIR CONSTRUCTION VARIES GREATLY. AS-BUILT CONDITIONS MAY ALTER RAILING DESIGN, INCLUDING POST LOCATION & MOUNTING, INFILL SPACING & TOP RAIL LAYOUT.

DWS+ RAINIER SPECIFICATION DRAWING ** RESIDENTIAL ** 36" CORE MOUNT - FLAT TOP	RAINIER CM36F	2024	3 OF 4
	SCALE NONE	DATE	SHEET
	DESIGNER AGS		

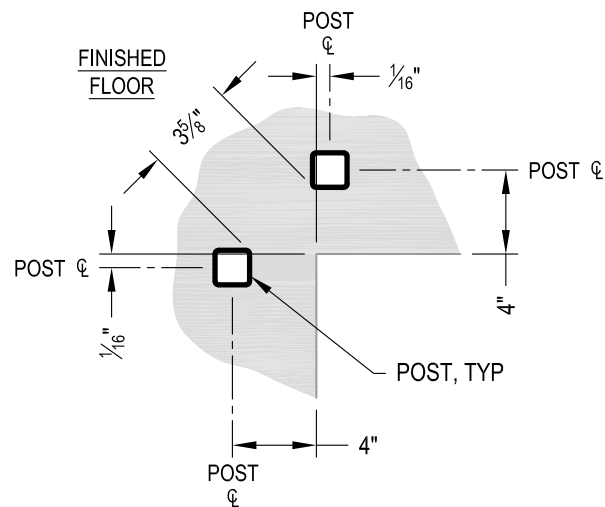
7873 ME DAY ROAD
 BANBRIDGE ISLAND, WA 98110
 PHONE - (888) 842-9492
 FAX - (206) 842-8179
 WWW.AGSSTAINLESS.COM





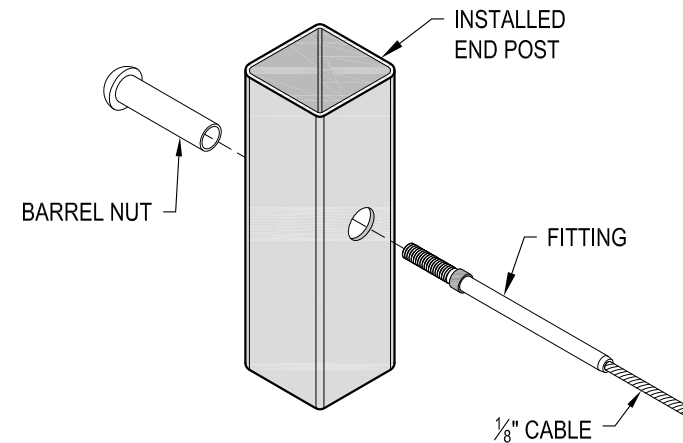
NOTE: 90° SHOWN, OTHER ANGLES SIMILAR

A TYPICAL 90° CORE MOUNT OUTSIDE CORNER
DETAIL

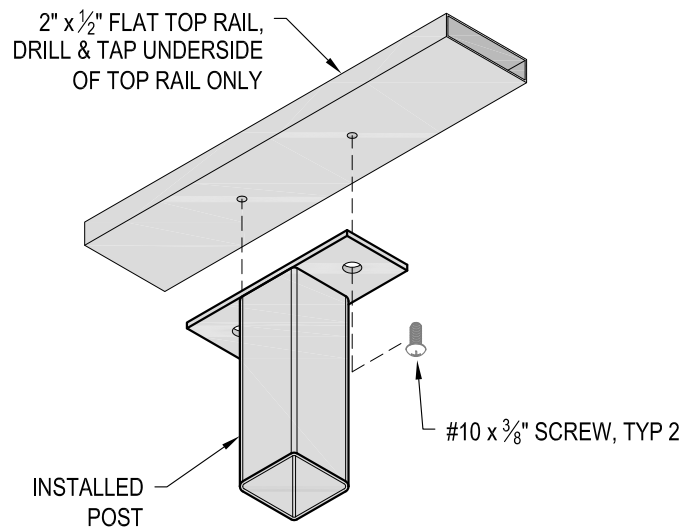


NOTE: 90° SHOWN, OTHER ANGLES SIMILAR

B TYPICAL 90° CORE MOUNT INSIDE CORNER
DETAIL



C FITTING INSTALLATION - BARREL NUT
DETAIL



D TOP RAIL INSTALLATION - FLAT
DETAIL

AGS Stainless Clearview® Railing Systems are designed to meet the requirements of the latest edition of the IRC/IBC.

RAINIER SPECIFICATION DRAWING ** RESIDENTIAL **	DWG# RAINIER CM36F
	SCALE NONE
36" CORE MOUNT - FLAT TOP	DATE 2024
	SHEET 4 OF 4
7873 ME DAY ROAD BAINBRIDGE ISLAND, WA 98110 PHONE - (888) 842-9492 FAX - (206) 842-8779 WWW.AGSSTAINLESS.COM	