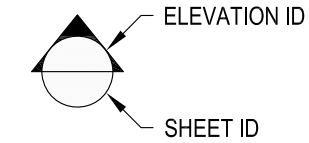
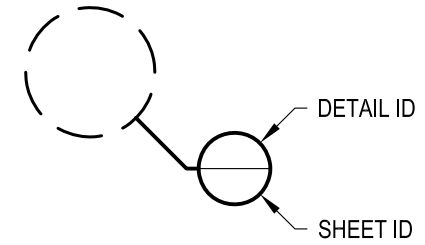


**1** EXAMPLE POST LAYOUT  
PLAN VIEW

**NOTES:**

1. TOP RAIL NOT SHOWN FOR CLARITY.
2. ALL PARTS AND COMPONENTS MADE WITH 316 STAINLESS STEEL UNLESS NOTED OTHERWISE.

**LEGEND**



□ SIDE MOUNT POST

⊕ CENTERLINE

F.F. FINISHED FLOOR

TYP TYPICAL CONDITION APPLIES ELSEWHERE AT SIMILAR CONDITIONS

DATE	2024	SHEET	1 OF 4
DESIGNER	AGS		
SCALE	NONE	DATE	2024
OWNER	RAINIER SM36F	DESIGNER	AGS

RAINIER SPECIFICATION DRAWING  
\*\* RESIDENTIAL \*\*

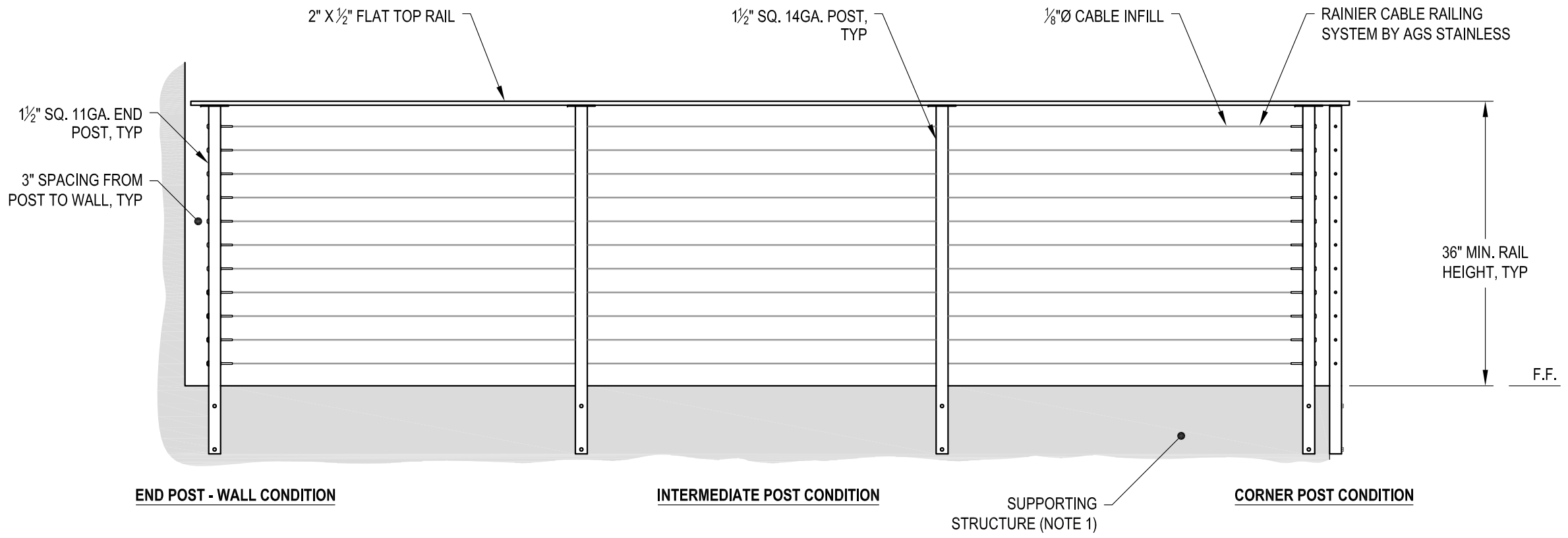
36" SIDE MOUNT - FLAT TOP

7873 NE DAY ROAD  
BAINBRIDGE ISLAND, WA 98110  
PHONE - (888) 842-9492  
FAX - (206) 842-8179  
WWW.AGSSTAINLESS.COM



**NOTES:**

- DECK STRUCTURE CAN VARY GREATLY. IT IS THE RESPONSIBILITY OF THE CUSTOMER TO VERIFY THAT THE SUPPORTING STRUCTURE IS ADEQUATE TO MEET THE LOAD REQUIREMENTS OF THE GOVERNING BUILDING CODE(S). *AGS Stainless Inc.* RECOMMENDS CONSULTING A DESIGN OR CONSTRUCTION PROFESSIONAL TO ADDRESS THESE ISSUES.



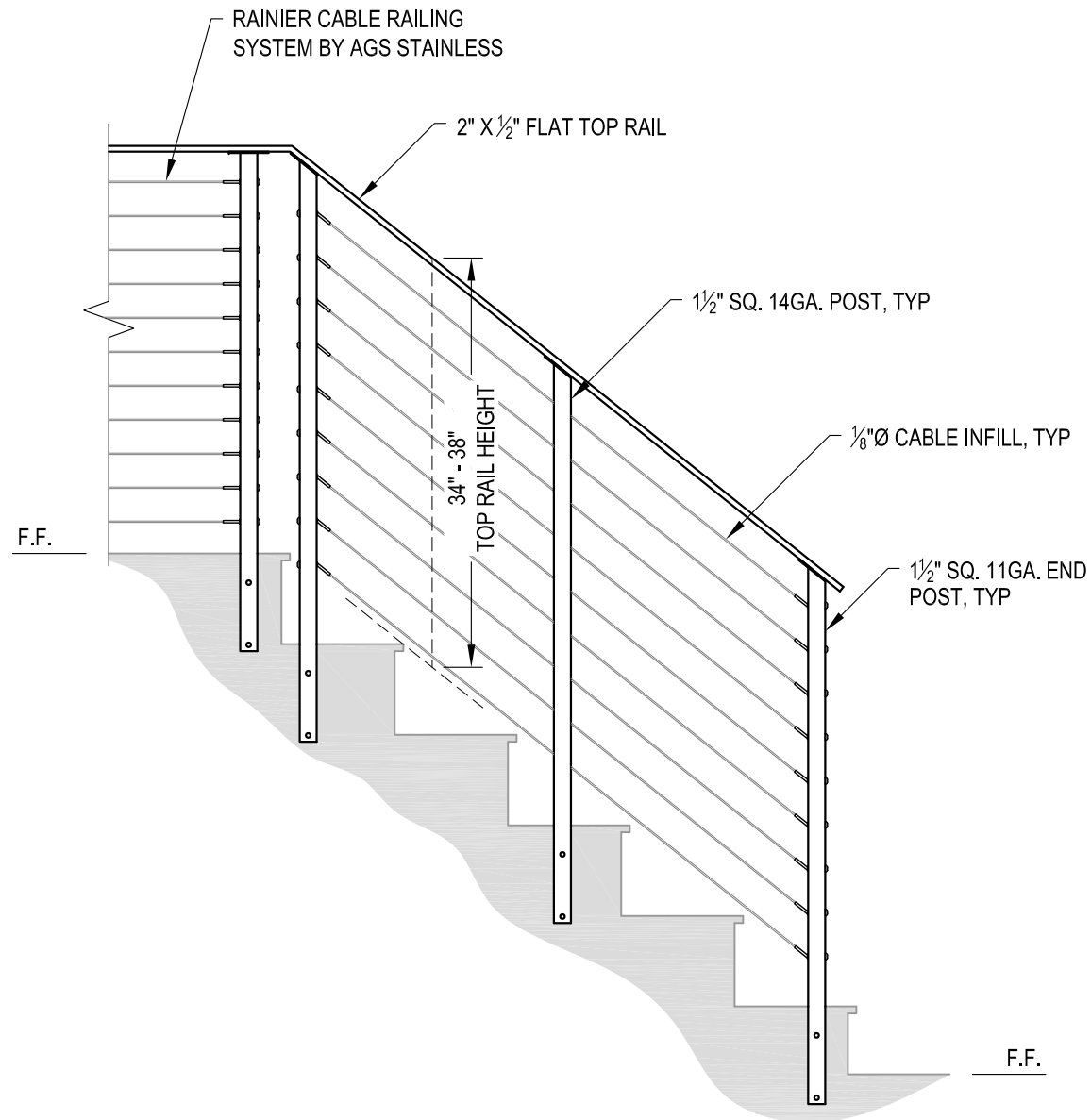
**A** TYPICAL RAILING CONDITION ELEVATION

OWNER	RAINIER SM36F
SCALE	NONE
DESIGNER	AGS
DATE	2024
SHEET	2 OF 4

RAINIER SPECIFICATION DRAWING  
 \*\* RESIDENTIAL \*\*  
 36" SIDE MOUNT - FLAT TOP

7873 NE DAY ROAD  
 BAINBRIDGE ISLAND, WA 98110  
 PHONE - (888) 842-9492  
 FAX - (206) 842-8179  
 WWW.AGSSTAINLESS.COM





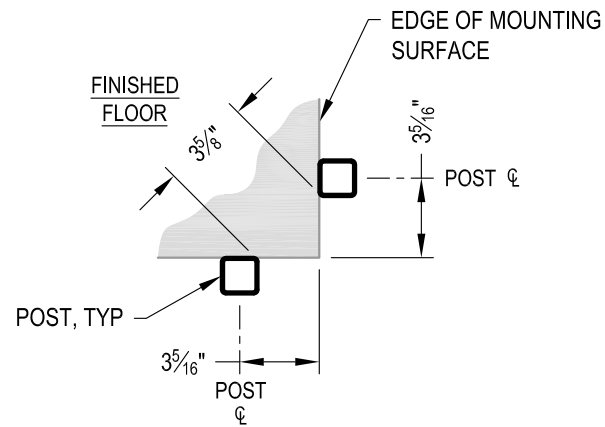
**A** STAIR  
ELEVATION

**NOTES:**

1. STAIR CONSTRUCTION VARIES GREATLY. AS-BUILT CONDITIONS MAY ALTER RAILING DESIGN, INCLUDING POST LOCATION & MOUNTING, INFILL SPACING & TOP RAIL LAYOUT.

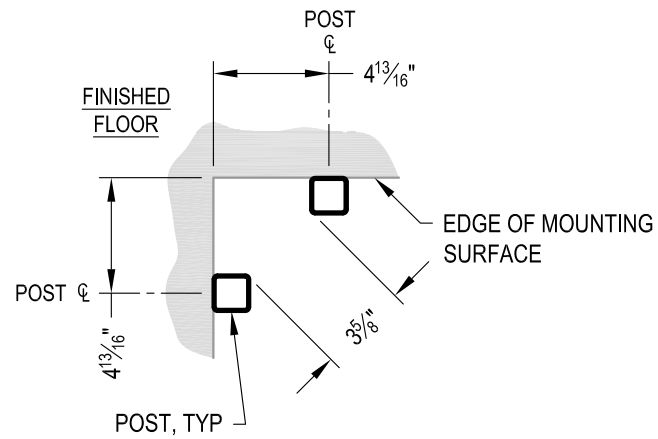
AGS Stainless Clearview® Railing Systems are designed to meet the requirements of the latest edition of the IRC/IBC.

DWS#	RAINIER SM36F	
	SCALE	DATE
	NONE	2024
DESIGNER	AGS	
RAINIER SPECIFICATION DRAWING		
** RESIDENTIAL **		
36" SIDE MOUNT - FLAT TOP		
7873 MEADY ROAD BAINBRIDGE ISLAND, WA 98110		
PHONE - (888) 842-9492 FAX - (206) 842-8779 WWW.AGSSTAINLESS.COM		
		



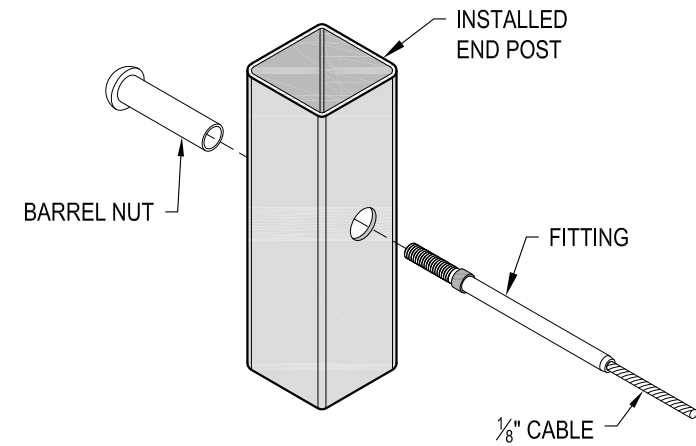
**NOTE: 90° SHOWN, OTHER ANGLES SIMILAR**

**A** TYPICAL 90° SIDE MOUNT OUTSIDE CORNER  
DETAIL

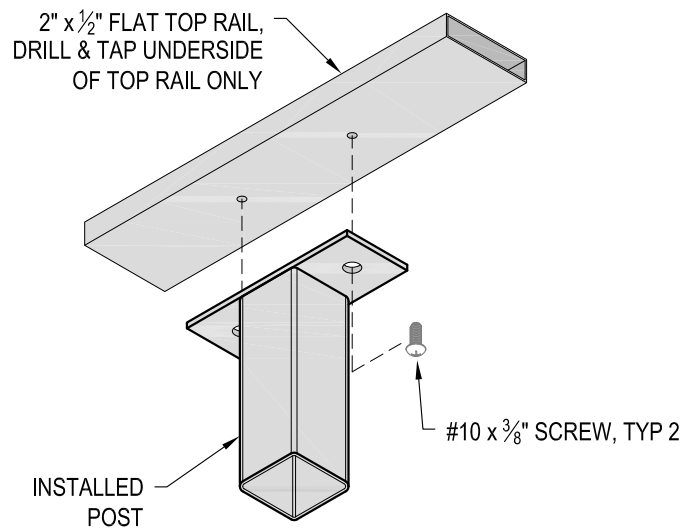


**NOTE: 90° SHOWN, OTHER ANGLES SIMILAR**

**B** TYPICAL 90° SIDE MOUNT INSIDE CORNER  
DETAIL



**C** FITTING INSTALLATION - BARREL NUT  
DETAIL



**D** TOP RAIL INSTALLATION - FLAT  
DETAIL

DATE	2024
DESIGNER	AGS
SCALE	NONE
SHEET	4 OF 4

RAINIER SM36F  
**RAINIER SPECIFICATION DRAWING**  
**\*\* RESIDENTIAL \*\***  
 36" SIDE MOUNT - FLAT TOP

7873 ME DAY ROAD  
 BAINBRIDGE ISLAND, WA 98110  
 PHONE - (888) 842-9492  
 FAX - (206) 842-8779  
 WWW.AGSSTAINLESS.COM

