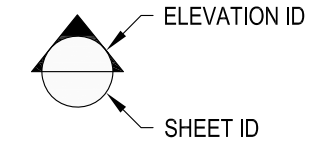
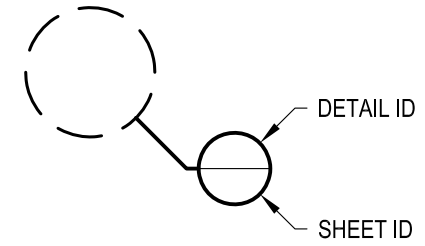


**1** EXAMPLE POST LAYOUT  
PLAN VIEW

**NOTES:**

1. TOP RAIL NOT SHOWN FOR CLARITY.
2. ALL PARTS AND COMPONENTS MADE WITH 316 STAINLESS STEEL UNLESS NOTED OTHERWISE.

**LEGEND**



□ SIDE MOUNT POST

⊕ CENTERLINE

F.F. FINISHED FLOOR

TYP TYPICAL CONDITION APPLIES ELSEWHERE AT SIMILAR CONDITIONS

DATE	2024
DESIGNER	AGS
SHEET	1 OF 4

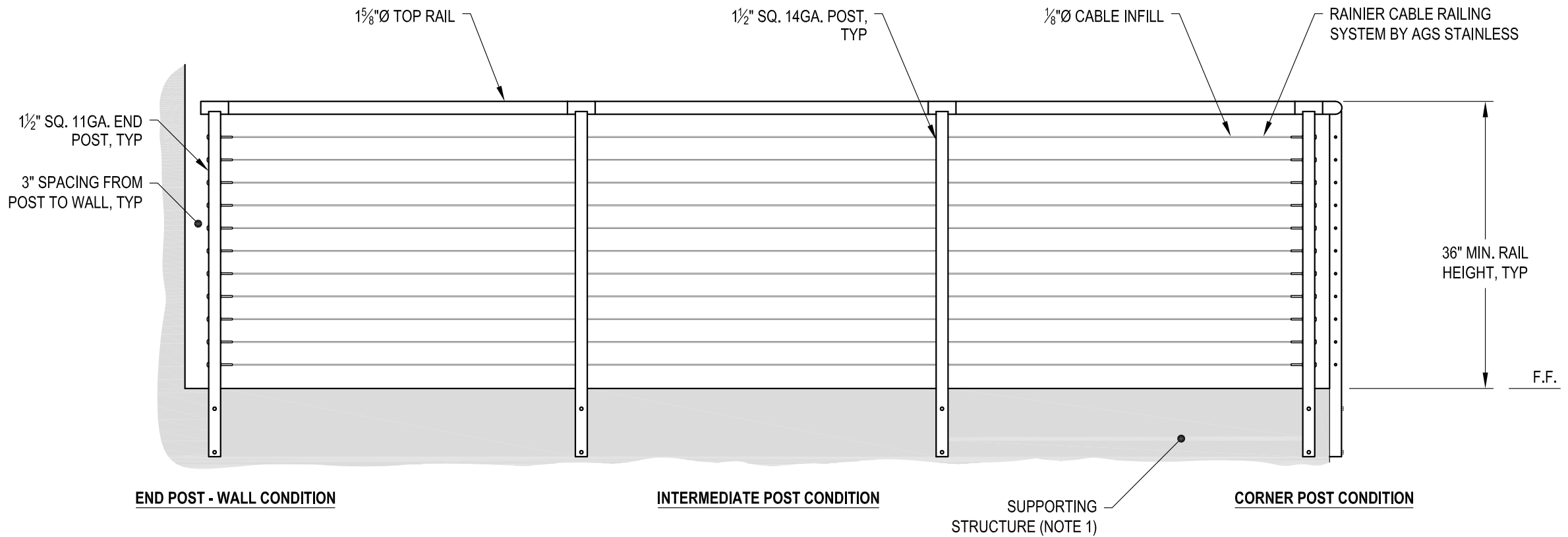
RAINIER SPECIFICATION DRAWING  
\*\* RESIDENTIAL \*\*  
36" SIDE MOUNT - ROUND TOP

7873 NE DAY ROAD  
BAMBRIDGE ISLAND, WA 98110  
PHONE - (888) 842-9492  
FAX - (206) 842-8179  
WWW.AGSSTAINLESS.COM



**NOTES:**

- DECK STRUCTURE CAN VARY GREATLY. IT IS THE RESPONSIBILITY OF THE CUSTOMER TO VERIFY THAT THE SUPPORTING STRUCTURE IS ADEQUATE TO MEET THE LOAD REQUIREMENTS OF THE GOVERNING BUILDING CODE(S). *AGS Stainless Inc.* RECOMMENDS CONSULTING A DESIGN OR CONSTRUCTION PROFESSIONAL TO ADDRESS THESE ISSUES.



**A** TYPICAL RAILING CONDITION ELEVATION

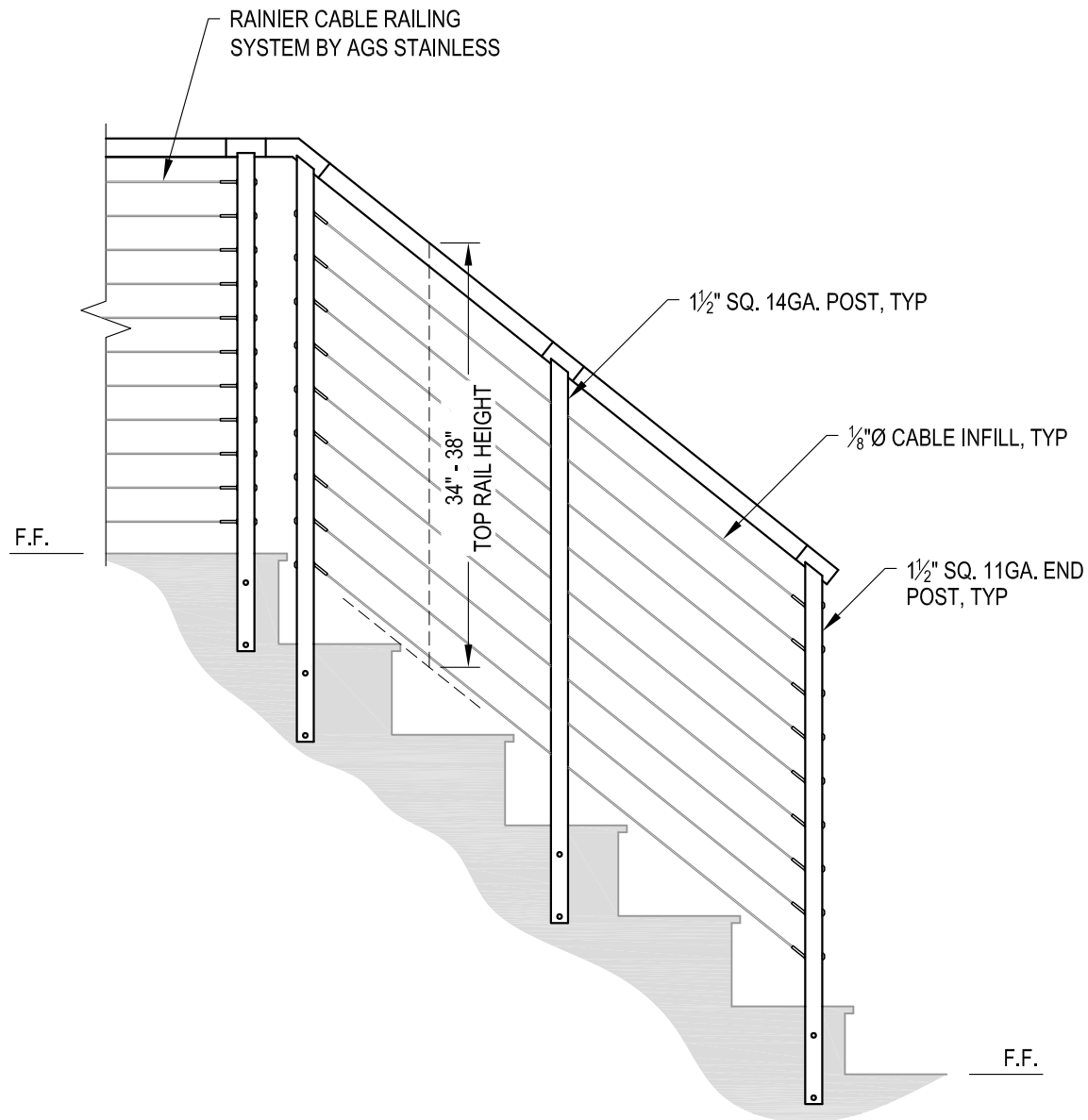
DATE	2024	SHEET	2 OF 4
SCALE	NONE		
DESIGNER	AGS		

RAINIER SPECIFICATION DRAWING  
\*\* RESIDENTIAL \*\*

36" SIDE MOUNT - ROUND TOP

7873 NE DAY ROAD  
BAINBRIDGE ISLAND, WA 98110  
PHONE - (888) 842-9492  
FAX - (206) 842-8179  
WWW.AGSSTAINLESS.COM





**A** STAIR  
ELEVATION

**NOTES:**

1. STAIR CONSTRUCTION VARIES GREATLY. AS-BUILT CONDITIONS MAY ALTER RAILING DESIGN, INCLUDING POST LOCATION & MOUNTING, INFILL SPACING & TOP RAIL LAYOUT.

AGS Stainless Clearview® Railing Systems are designed to meet the requirements of the latest edition of the IRC/IBC.

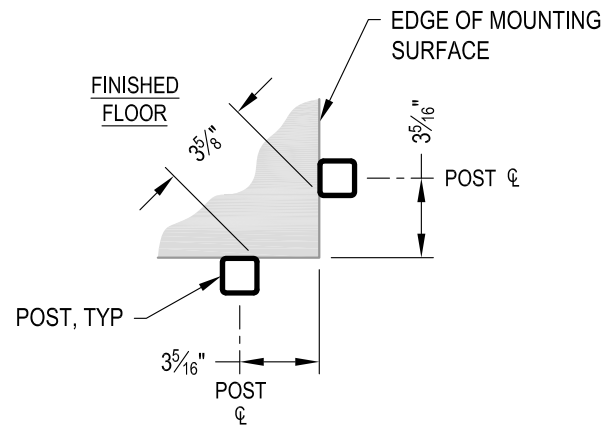
DATE	RAINIER SM36R
SCALE	NONE
DESIGNER	AGS
DATE	2024
SHEET	3 OF 4

RAINIER SPECIFICATION DRAWING  
\*\* RESIDENTIAL \*\*

36" SIDE MOUNT - ROUND TOP

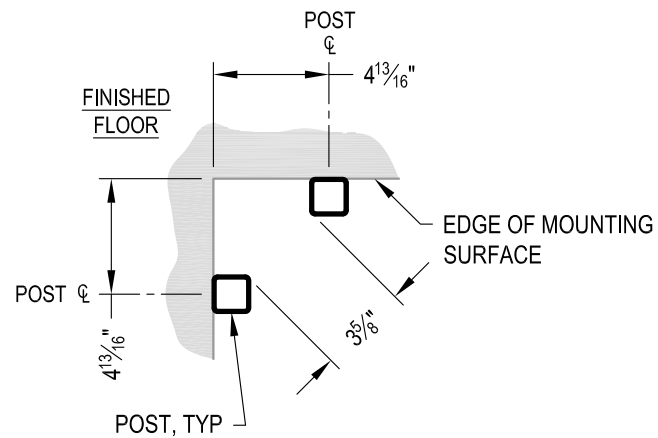
7873 MEADY ROAD  
BAINBRIDGE ISLAND, WA 98110  
PHONE - (888) 842-9492  
FAX - (206) 842-8779  
WWW.AGSSTAINLESS.COM





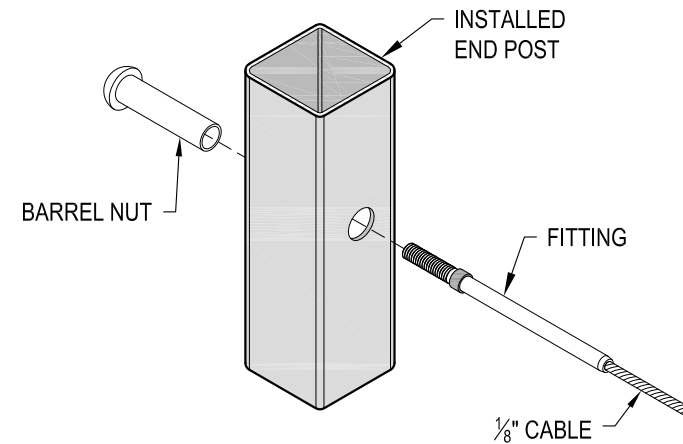
**NOTE: 90° SHOWN, OTHER ANGLES SIMILAR**

**A** TYPICAL 90° SIDE MOUNT OUTSIDE CORNER  
DETAIL

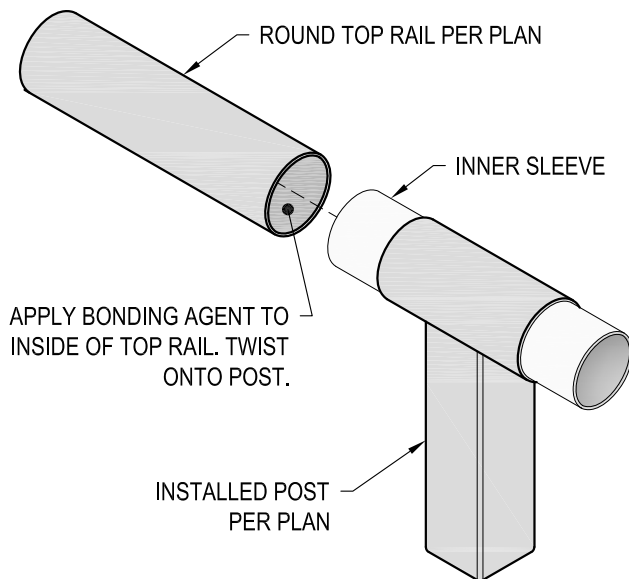


**NOTE: 90° SHOWN, OTHER ANGLES SIMILAR**

**B** TYPICAL 90° SIDE MOUNT INSIDE CORNER  
DETAIL



**C** FITTING INSTALLATION - BARREL NUT  
DETAIL



**D** TOP RAIL INSTALLATION - ROUND  
DETAIL

AGS Stainless Clearview® Railing Systems are designed to meet the requirements of the latest edition of the IRC/IBC.

RAINIER SPECIFICATION DRAWING ** RESIDENTIAL **	RAINIER SM36R	2024	4 OF 4
	AGS	NONE	SHEET
36" SIDE MOUNT - ROUND TOP		7873 ME DAY ROAD BAINBRIDGE ISLAND, WA 98110 PHONE - (888) 842-9492 FAX - (206) 842-8179 WWW.AGSSTAINLESS.COM	
		CLEARVIEW® Railing Systems	