

**1** EXAMPLE POST LAYOUT  
PLAN VIEW

**NOTES:**

1. TOP RAIL NOT SHOWN FOR CLARITY.
2. ALL PARTS AND COMPONENTS MADE WITH 316 STAINLESS STEEL UNLESS NOTED OTHERWISE.

**LEGEND**



□ SIDE MOUNT POST

□-□ SIDE MOUNT DOUBLE POST

⊕ CENTERLINE

F.F. FINISHED FLOOR

TYP TYPICAL CONDITION APPLIES  
ELSEWHERE AT SIMILAR CONDITIONS

OWNER	RAINIER SM42R
SCALE	NONE
DATE	2024
DESIGNER	AGS
SHEET	1 OF 4

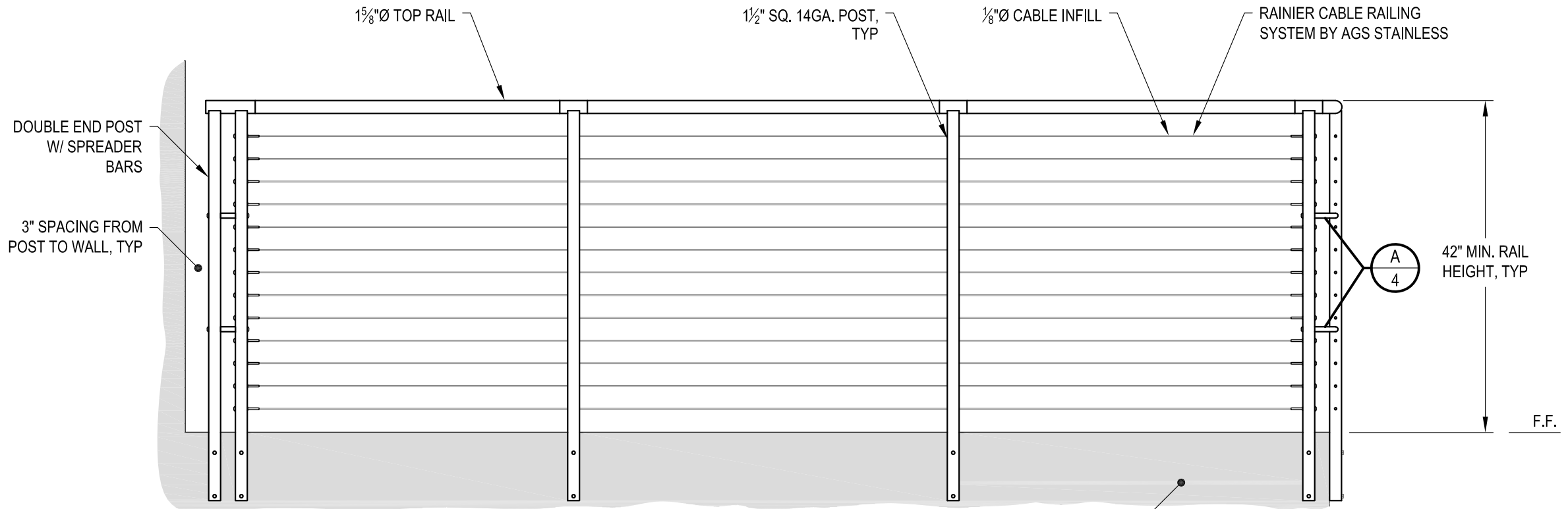
RAINIER SPECIFICATION DRAWING  
\*\* RESIDENTIAL \*\*  
42" SIDE MOUNT - ROUND TOP

7873 NE DAY ROAD  
BAINBRIDGE ISLAND, WA 98110  
PHONE - (888) 842-9492  
FAX - (206) 842-8779  
WWW.AGSSTAINLESS.COM



**NOTES:**

- DECK STRUCTURE CAN VARY GREATLY. IT IS THE RESPONSIBILITY OF THE CUSTOMER TO VERIFY THAT THE SUPPORTING STRUCTURE IS ADEQUATE TO MEET THE LOAD REQUIREMENTS OF THE GOVERNING BUILDING CODE(S). AGS Stainless Inc. RECOMMENDS CONSULTING A DESIGN OR CONSTRUCTION PROFESSIONAL TO ADDRESS THESE ISSUES.



**END POST - WALL CONDITION**

**INTERMEDIATE POST CONDITION**

SUPPORTING STRUCTURE (NOTE 1)

**CORNER POST CONDITION**

**A** TYPICAL RAILING CONDITION ELEVATION

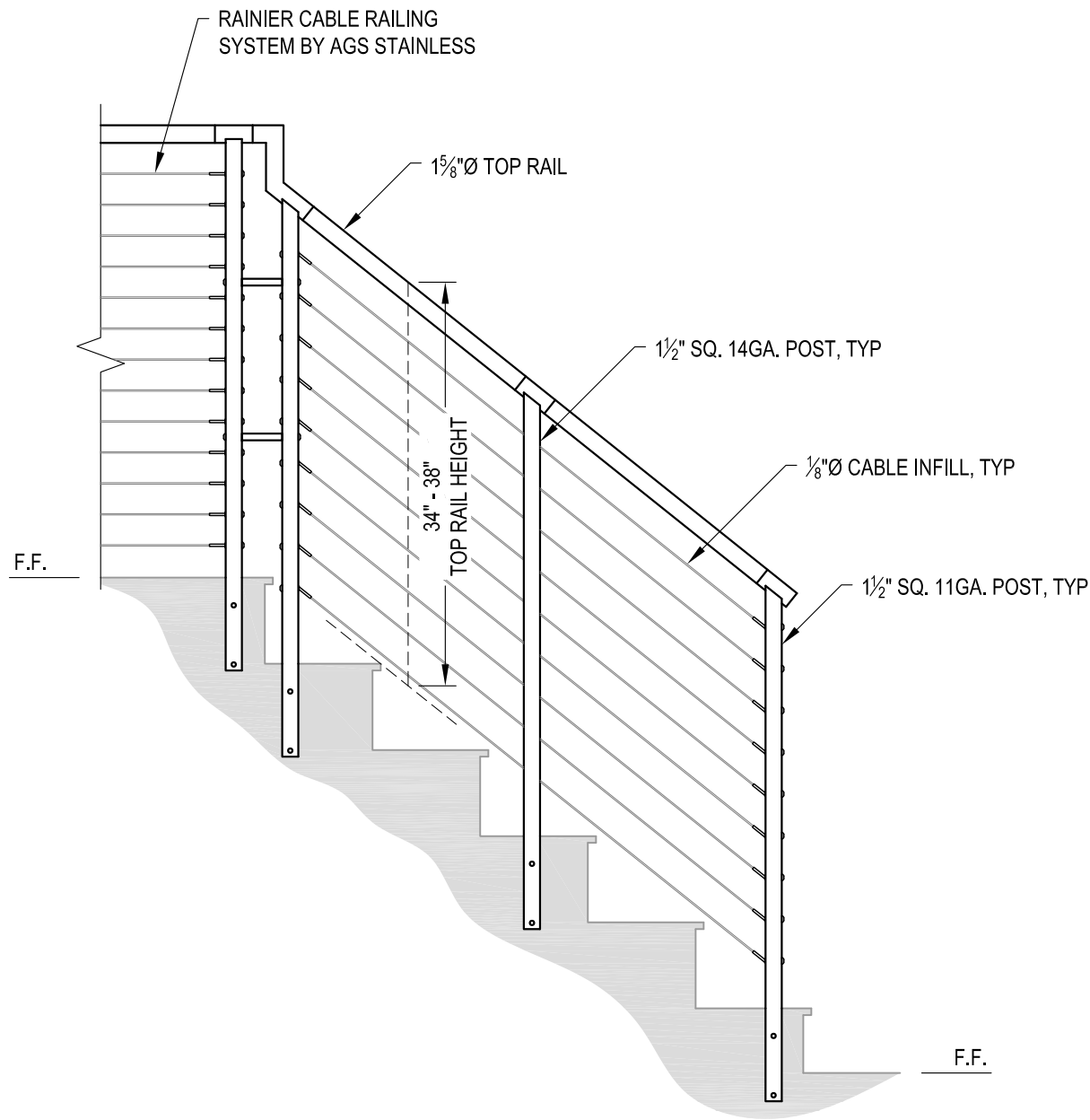
DATE	2024
SCALE	NONE
DESIGNER	AGS
SHEET	2 OF 4

RAINIER SPECIFICATION DRAWING  
 \*\* RESIDENTIAL \*\*

42" SIDE MOUNT - ROUND TOP

7873 NE DAY ROAD  
 BAINBRIDGE ISLAND, WA 98110  
 PHONE - (888) 842-9492  
 FAX - (206) 842-8179  
 WWW.AGSSTAINLESS.COM






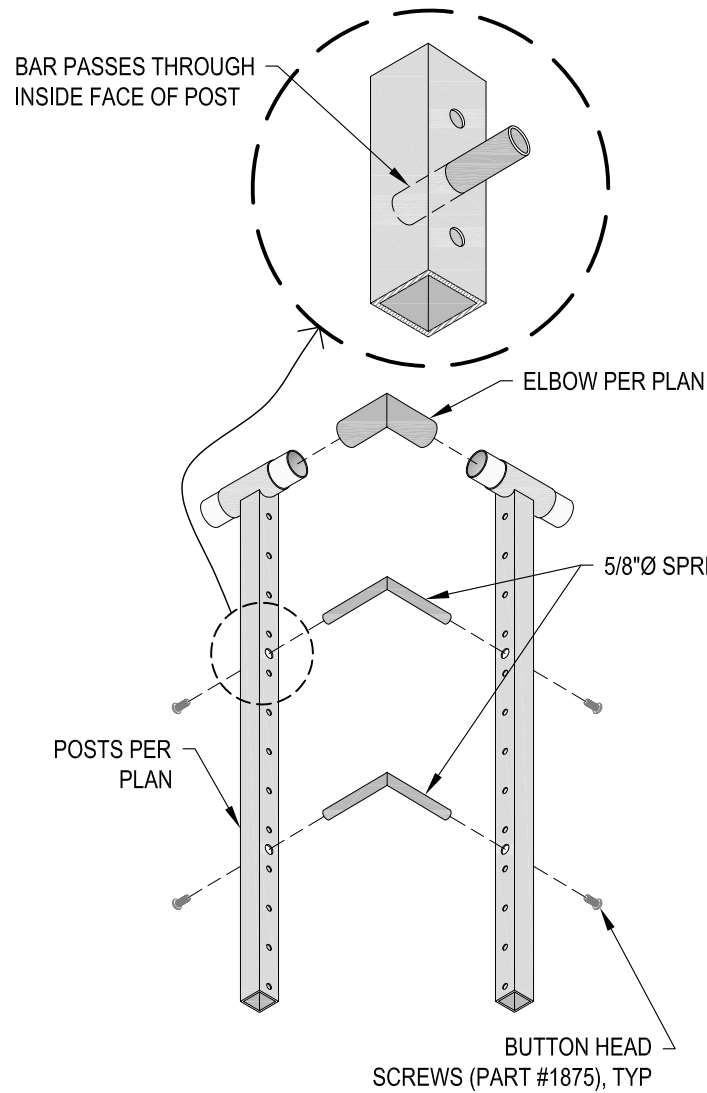
**A** STAIR  
ELEVATION

**NOTES:**

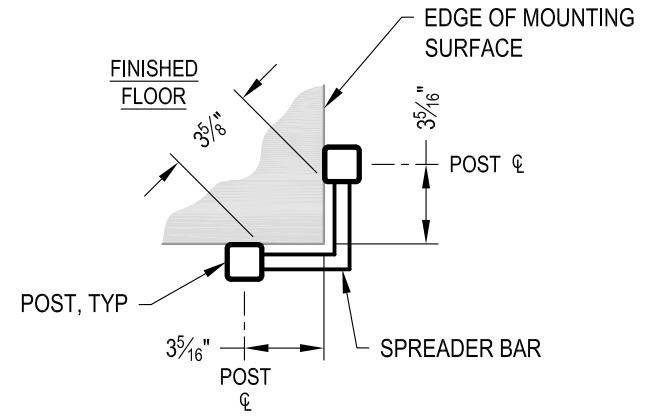
1. STAIR CONSTRUCTION VARIES GREATLY. AS-BUILT CONDITIONS MAY ALTER RAILING DESIGN, INCLUDING POST LOCATION & MOUNTING, INFILL SPACING & TOP RAIL LAYOUT.

AGS Stainless Clearview® Railing Systems are designed to meet the requirements of the latest edition of the IRC/IBC.

DWG#	RAINIER SM42R	
	SCALE	DATE
DESIGNER	NOV	2024
SHEET	AGS	3 OF 4
RAINIER SPECIFICATION DRAWING		
** RESIDENTIAL **		
42" SIDE MOUNT - ROUND TOP		
7873 MEADY ROAD BAINBRIDGE ISLAND, WA 98110		
PHONE - (888) 842-9492 FAX - (206) 842-8779 WWW.AGSSTAINLESS.COM		
 CLEARVIEW® Railing Systems		

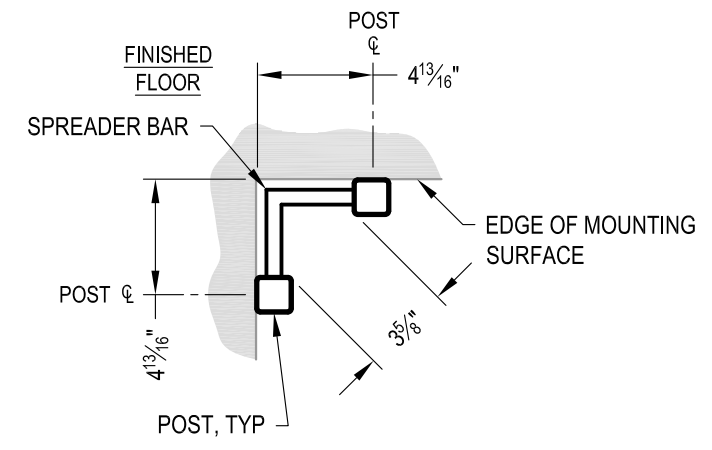


**A** CORNER POST ASSEMBLY DETAIL



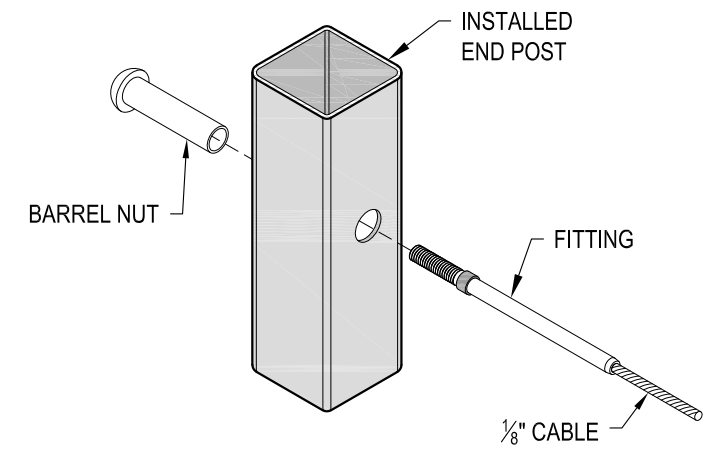
NOTE: 90° SHOWN, OTHER ANGLES SIMILAR

**B** TYPICAL SIDE MOUNT OUTSIDE CORNER DETAIL

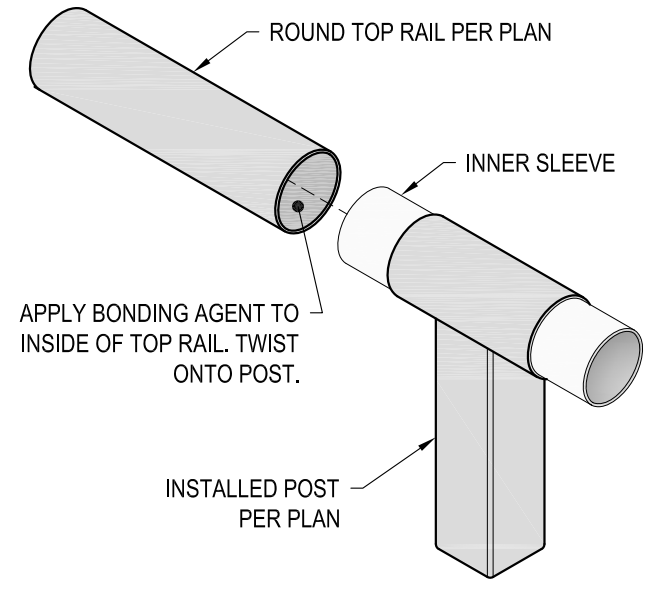


NOTE: 90° SHOWN, OTHER ANGLES SIMILAR

**C** TYPICAL SIDE MOUNT INSIDE CORNER DETAIL



**D** FITTING INSTALLATION - BARREL NUT DETAIL



**E** TOP RAIL INSTALLATION - ROUND DETAIL

AGS Stainless Clearview® Railing Systems are designed to meet the requirements of the latest edition of the IRC/IBC.

RAINIER SM42R DATE 2024 SCALE NONE DESIGNER AGS SHEET 4 OF 4	RAINIER SPECIFICATION DRAWING ** RESIDENTIAL **	7873 NE DAY ROAD BAINBRIDGE ISLAND, WA 98110 PHONE - (888) 842-9492 FAX - (206) 842-8779 WWW.AGSSTAINLESS.COM	 CLEARVIEW® Railing Systems