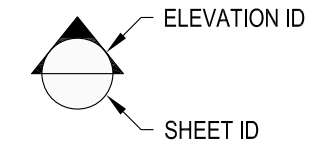
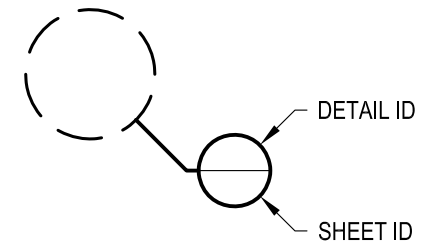


1 EXAMPLE POST LAYOUT
PLAN VIEW

NOTES:

1. TOP RAIL NOT SHOWN FOR CLARITY.
2. ALL PARTS AND COMPONENTS MADE WITH 316 STAINLESS STEEL UNLESS NOTED OTHERWISE.

LEGEND



□ SIDE MOUNT POST

□-□ SIDE MOUNT DOUBLE POST

⊕ CENTERLINE

F.F. FINISHED FLOOR

TYP TYPICAL CONDITION APPLIES ELSEWHERE AT SIMILAR CONDITIONS

OWNER	RAINIER SM42W
SCALE	NONE
DATE	2024
DESIGNER	AGS
SHEET	1 OF 4

RAINIER SPECIFICATION DRAWING
** RESIDENTIAL **

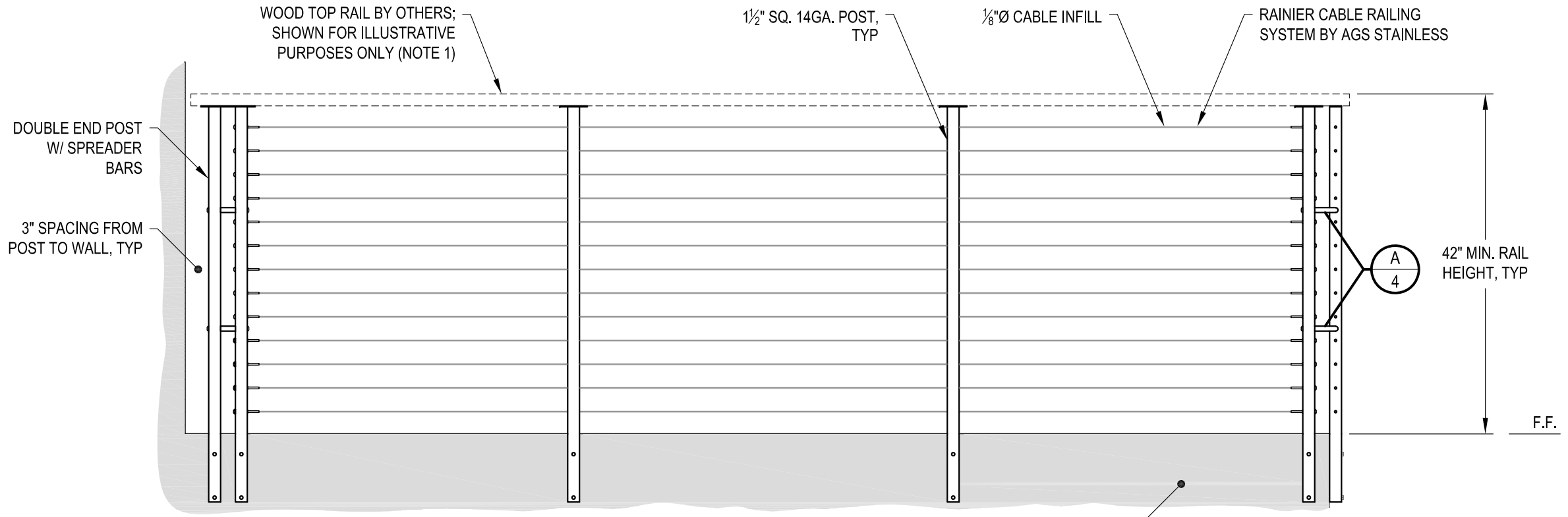
42" SIDE MOUNT - WOOD TOP

7873 NE DAY ROAD
BAINBRIDGE ISLAND, WA 98110
PHONE - (888) 842-9492
FAX - (206) 842-8779
WWW.AGSSTAINLESS.COM



NOTES:

1. TOP RAIL SHOULD BE SELECTED SO THAT ALL GOVERNING CODE REQUIREMENTS ARE SATISFIED. THESE INCLUDE SHAPE, STRENGTH AND RAILING HEIGHT.
2. DECK STRUCTURE CAN VARY GREATLY. IT IS THE RESPONSIBILITY OF THE CUSTOMER TO VERIFY THAT THE SUPPORTING STRUCTURE IS ADEQUATE TO MEET THE LOAD REQUIREMENTS OF THE GOVERNING BUILDING CODE(S). AGS Stainless Inc. RECOMMENDS CONSULTING A DESIGN OR CONSTRUCTION PROFESSIONAL TO ADDRESS THESE ISSUES.



END POST - WALL CONDITION

INTERMEDIATE POST CONDITION

SUPPORTING STRUCTURE (NOTE 2)

CORNER POST CONDITION

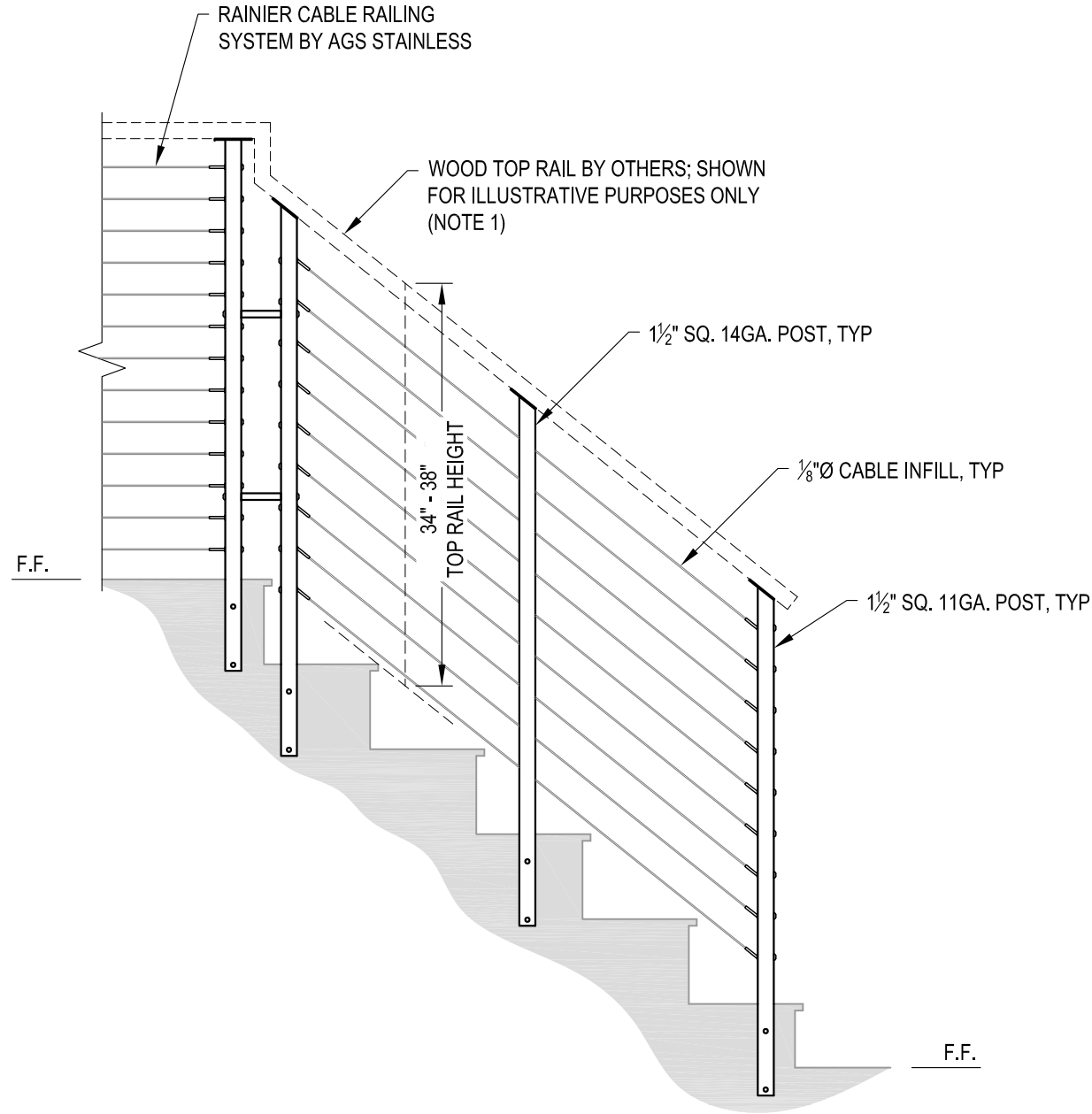
A TYPICAL RAILING CONDITION ELEVATION

DATE	2024
SCALE	NONE
DESIGNER	AGS
SHEET	2 OF 4

RAINIER SPECIFICATION DRAWING
**** RESIDENTIAL ****
 42" SIDE MOUNT - WOOD TOP

7873 NE DAY ROAD
 BAINBRIDGE ISLAND, WA 98110
 PHONE - (888) 842-9492
 FAX - (206) 842-8779
 WWW.AGSSTAINLESS.COM





A STAIR ELEVATION

NOTES:

1. TOP RAIL SHOULD BE SELECTED SO THAT ALL GOVERNING CODE REQUIREMENTS ARE SATISFIED. THESE INCLUDE SHAPE, STRENGTH AND RAILING HEIGHT.
2. STAIR CONSTRUCTION VARIES GREATLY. AS-BUILT CONDITIONS MAY ALTER RAILING DESIGN, INCLUDING POST LOCATION & MOUNTING, INFILL SPACING & TOP RAIL LAYOUT.

AGS Stainless Clearview® Railing Systems are designed to meet the requirements of the latest edition of the IRC/IBC.

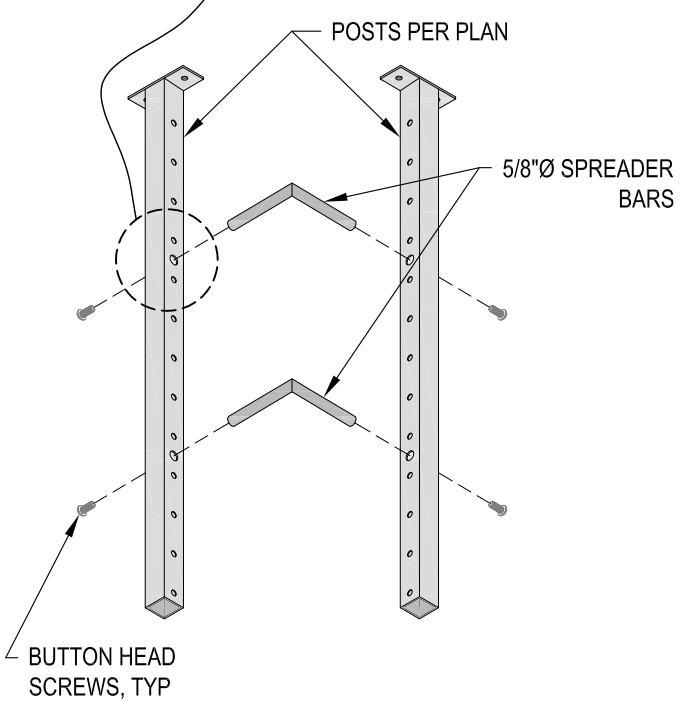
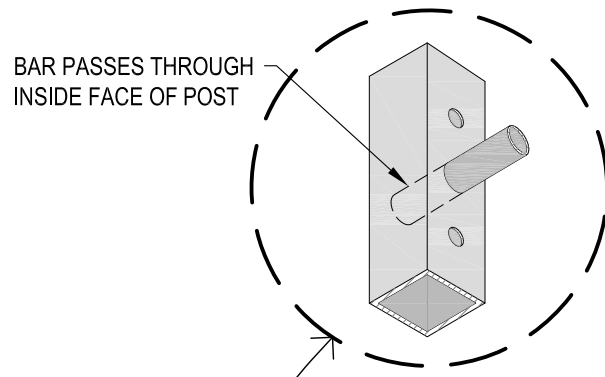
DATE	2024	DESIGNER	AGS
SCALE	NONE	SHEET	3 OF 4
DRAWN BY		RAINIER SM42W	

RAINIER SPECIFICATION DRAWING
 ** RESIDENTIAL **

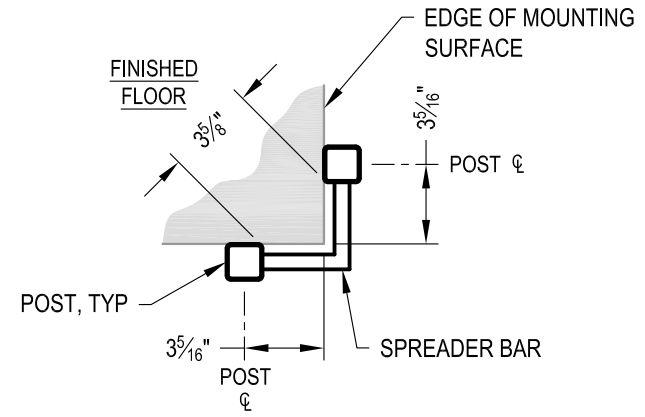
42" SIDE MOUNT - WOOD TOP

7873 MEADY ROAD
 BAINBRIDGE ISLAND, WA 98110
 PHONE - (888) 842-9492
 FAX - (206) 842-8179
 WWW.AGSSTAINLESS.COM



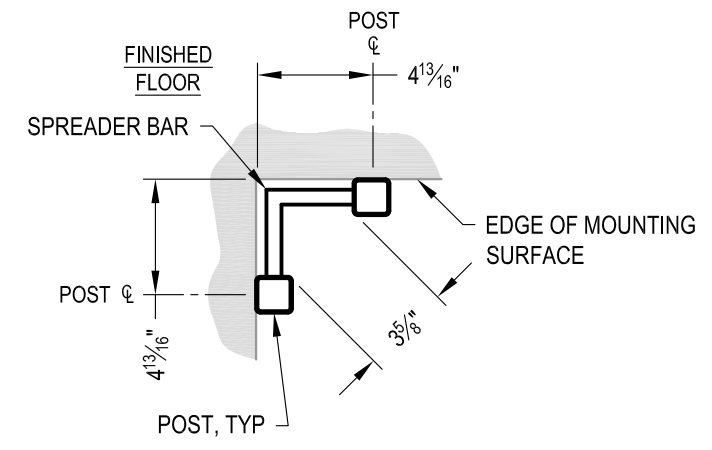


A CORNER POST ASSEMBLY
DETAIL



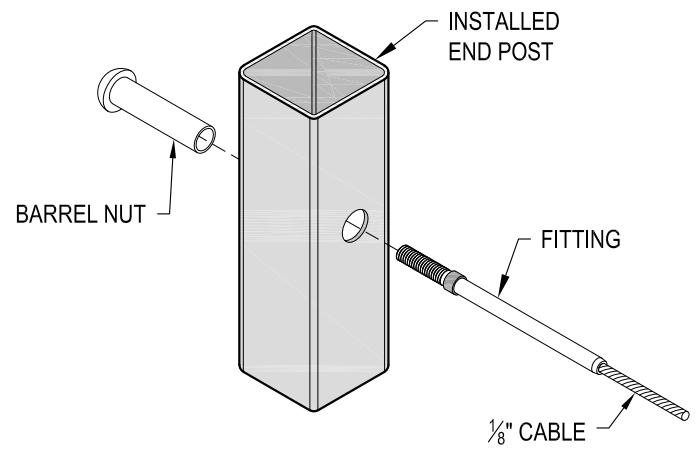
NOTE: 90° SHOWN, OTHER ANGLES SIMILAR

B TYPICAL SIDE MOUNT OUTSIDE CORNER
DETAIL



NOTE: 90° SHOWN, OTHER ANGLES SIMILAR

C TYPICAL SIDE MOUNT INSIDE CORNER
DETAIL



D FITTING INSTALLATION - BARREL NUT
DETAIL

AGS Stainless Clearview® Railing Systems are designed to meet the requirements of the latest edition of the IRC/IBC.

RAINIER SPECIFICATION DRAWING ** RESIDENTIAL **	RAINIER SM42W
	DATE 2024 SCALE NONE DESIGNER AGS
42" SIDE MOUNT - WOOD TOP	
7873 NE DAY ROAD BAINBRIDGE ISLAND, WA 98110 PHONE - (888) 842-9492 FAX - (206) 842-8779 WWW.AGSSTAINLESS.COM	