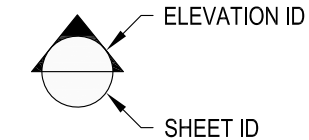
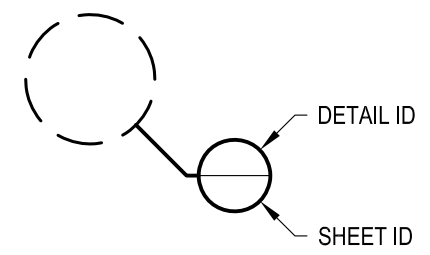


1 EXAMPLE POST LAYOUT
PLAN VIEW

NOTES:

1. TOP RAIL NOT SHOWN FOR CLARITY.
2. ALL PARTS AND COMPONENTS MADE WITH 316 STAINLESS STEEL UNLESS NOTED OTHERWISE.

LEGEND

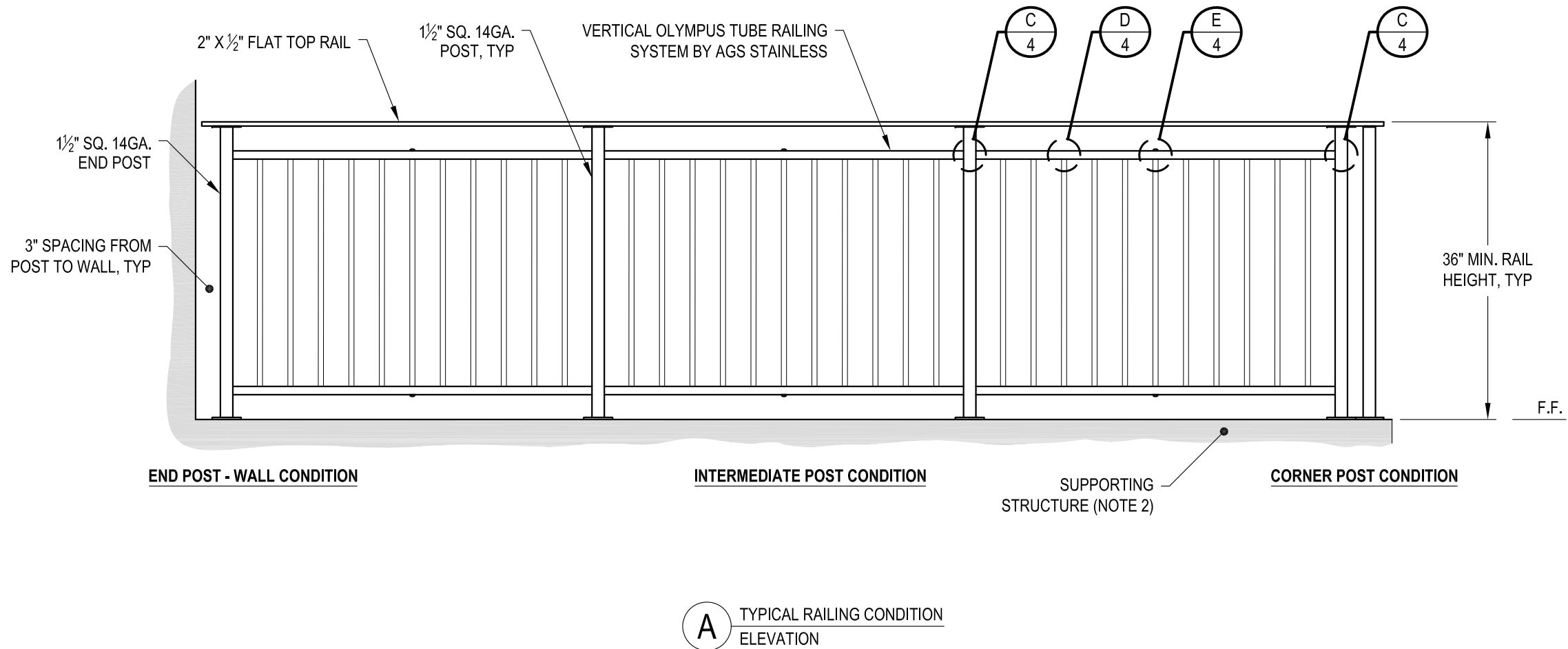


TYP TYPICAL CONDITION APPLIES ELSEWHERE AT SIMILAR CONDITIONS

OLYMPUS TM36F SCALE: NONE DESIGNER: AGS	DATE: 2024 SHEET: 1 OF 4
	VERTICAL OLYMPUS SPECIFICATION DRAWING ** RESIDENTIAL ** 36" TOP MOUNT - FLAT TOP
7873 NE DAY ROAD BAINBRIDGE ISLAND, WA 98110 PHONE - (888) 842-9492 FAX - (206) 842-8179 WWW.AGSSTAINLESS.COM	
 CLEARVIEW® Railing Systems	

NOTES:

- DECK STRUCTURE CAN VARY GREATLY. IT IS THE RESPONSIBILITY OF THE CUSTOMER TO VERIFY THAT THE SUPPORTING STRUCTURE IS ADEQUATE TO MEET THE LOAD REQUIREMENTS OF THE GOVERNING BUILDING CODE(S). *AGS Stainless Inc.* RECOMMENDS CONSULTING A DESIGN OR CONSTRUCTION PROFESSIONAL TO ADDRESS THESE ISSUES.

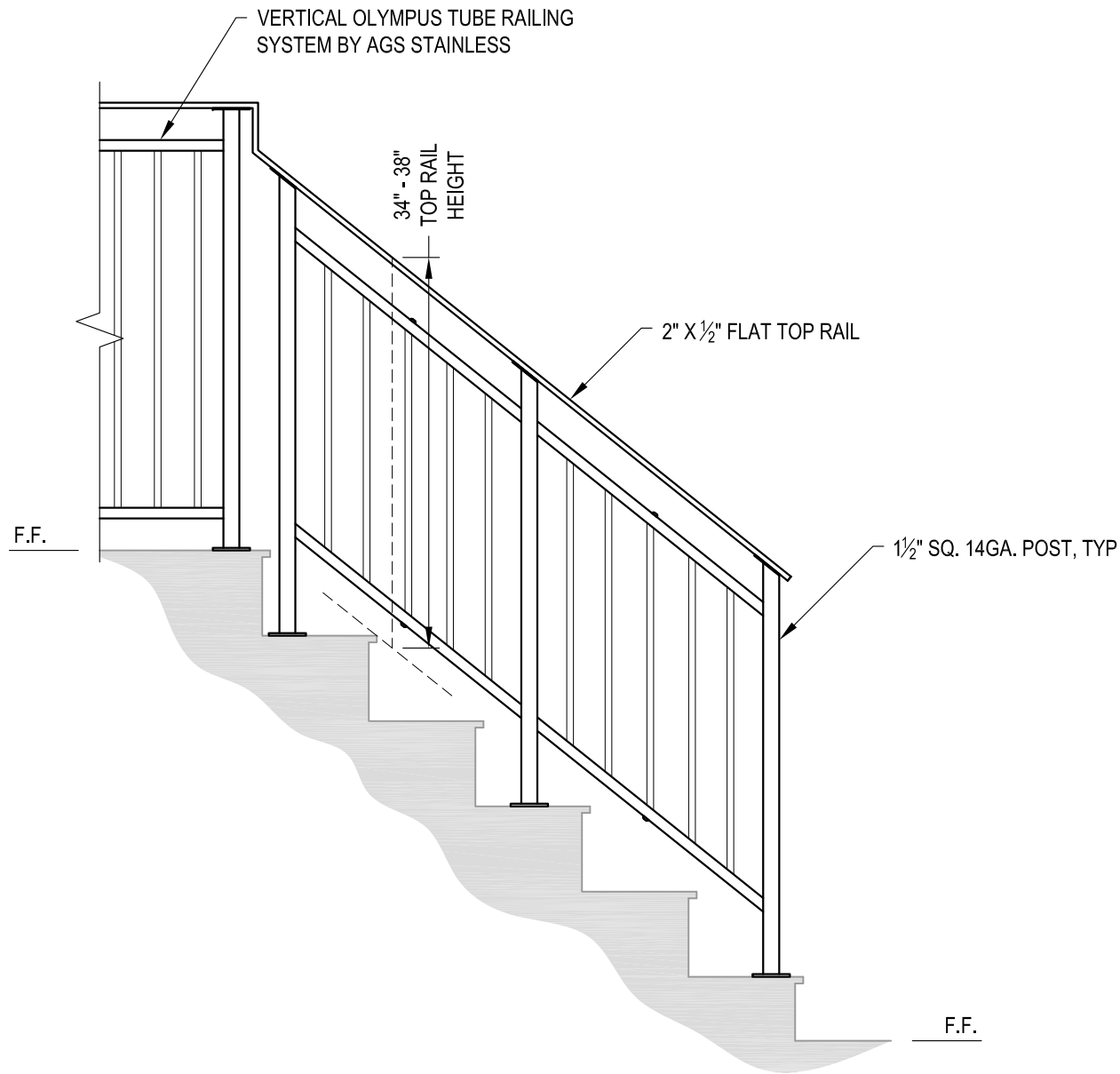


DATE	2024	SHEET	2 OF 4
SCALE	NONE		
DESIGNER	AGS		

VERTICAL OLYMPUS SPECIFICATION DRAWING
 ** RESIDENTIAL **
 36" TOP MOUNT - FLAT TOP

7873 NE DAY ROAD
 BAINBRIDGE ISLAND, WA 98110
 PHONE - (888) 842-9492
 FAX - (206) 842-8779
 WWW.AGSSTAINLESS.COM





A STAIR
ELEVATION

NOTES:

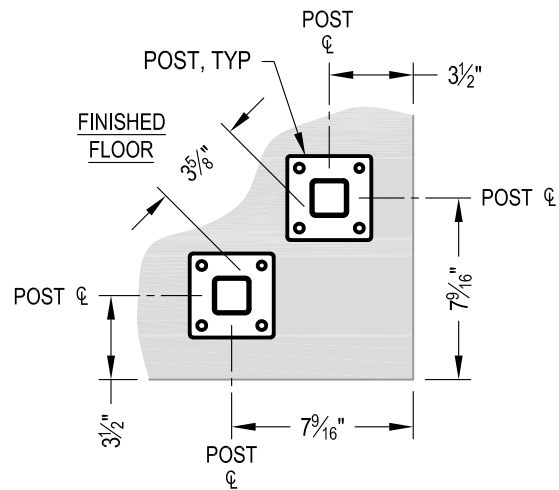
1. STAIR CONSTRUCTION VARIES GREATLY. AS-BUILT CONDITIONS MAY ALTER RAILING DESIGN, INCLUDING POST LOCATION & MOUNTING, INFILL SPACING & TOP RAIL LAYOUT.

DATE	2024	SHEET	3 OF 4
SCALE	NONE		
DESIGNER	AGS		

VERTICAL OLYMPUS SPECIFICATION DRAWING
 ** RESIDENTIAL **
 36" TOP MOUNT - FLAT TOP

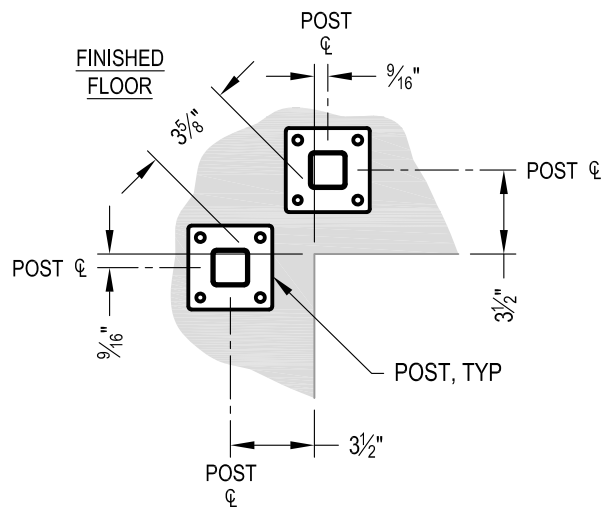
7873 MEADY ROAD
 BAINBRIDGE ISLAND, WA 98110
 PHONE - (888) 842-9492
 FAX - (206) 842-8179
 WWW.AGSSTAINLESS.COM





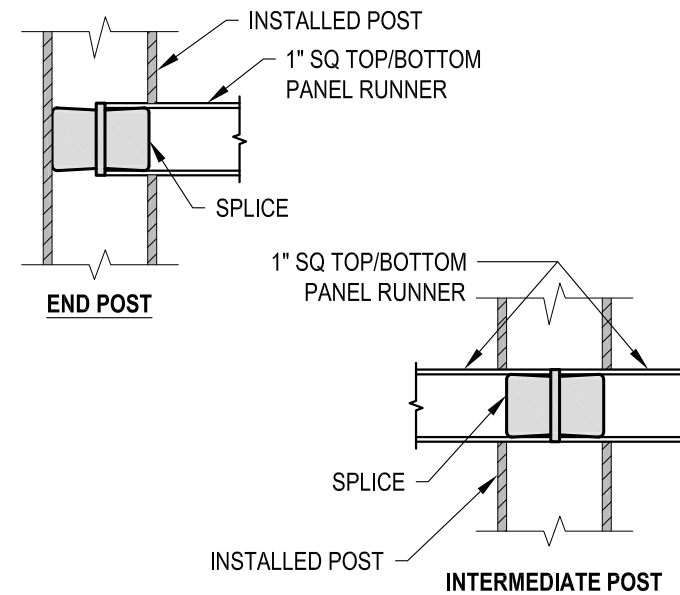
NOTE: 90° SHOWN, OTHER ANGLES SIMILAR

A TYPICAL 90° TOP MOUNT OUTSIDE CORNER
DETAIL

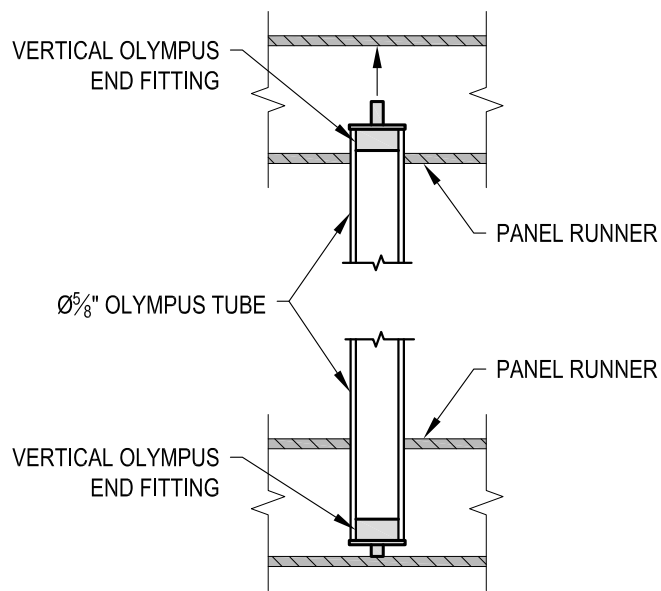


NOTE: 90° SHOWN, OTHER ANGLES SIMILAR

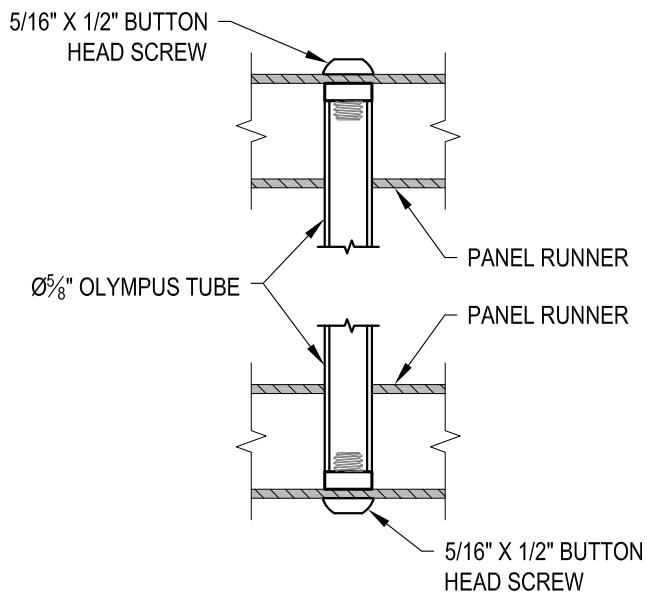
B TYPICAL 90° TOP MOUNT INSIDE CORNER
DETAIL



C FITTING INSTALLATION - VERTICAL PANEL RAIL SPLICE
DETAIL



D FITTING INSTALLATION - OLYMPUS INSERT
DETAIL



E FITTING INSTALLATION - MIDDLE SUPPORT TUBE
DETAIL

AGS Stainless Clearview® Railing Systems are designed to meet the requirements of the latest edition of the IRC/IBC.

OLYMPUS TM36F SCALE NONE DESIGNER AGS	DATE 2024 SHEET 4 OF 4
	VERTICAL OLYMPUS SPECIFICATION DRAWING ** RESIDENTIAL ** 36" TOP MOUNT - FLAT TOP
7873 MEADY ROAD BAINBRIDGE ISLAND, WA 98110 PHONE - (888) 842-9492 FAX - (206) 842-8779 WWW.AGSSTAINLESS.COM	