

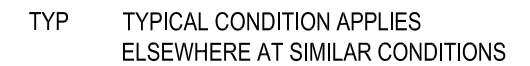
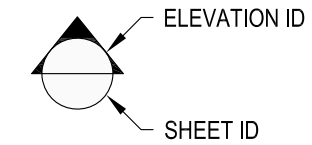
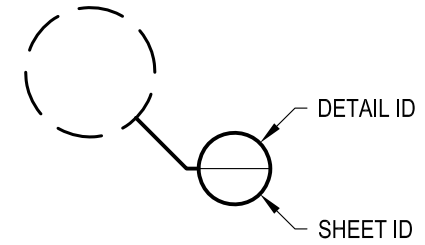
1 EXAMPLE POST LAYOUT  
PLAN VIEW

AGS Stainless Clearview® Railing Systems are designed to meet the requirements of the latest edition of the IRC/IBC.

NOTES:

1. TOP RAIL NOT SHOWN FOR CLARITY.
2. ALL PARTS AND COMPONENTS MADE WITH 316 STAINLESS STEEL UNLESS NOTED OTHERWISE.

LEGEND



DWG#	OLYMPUS TM42R	DATE	2024	SHEET	1 OF 4
	SCALE		NONE		DESIGNER

VERTICAL OLYMPUS SPECIFICATION DRAWING  
\*\* RESIDENTIAL \*\*

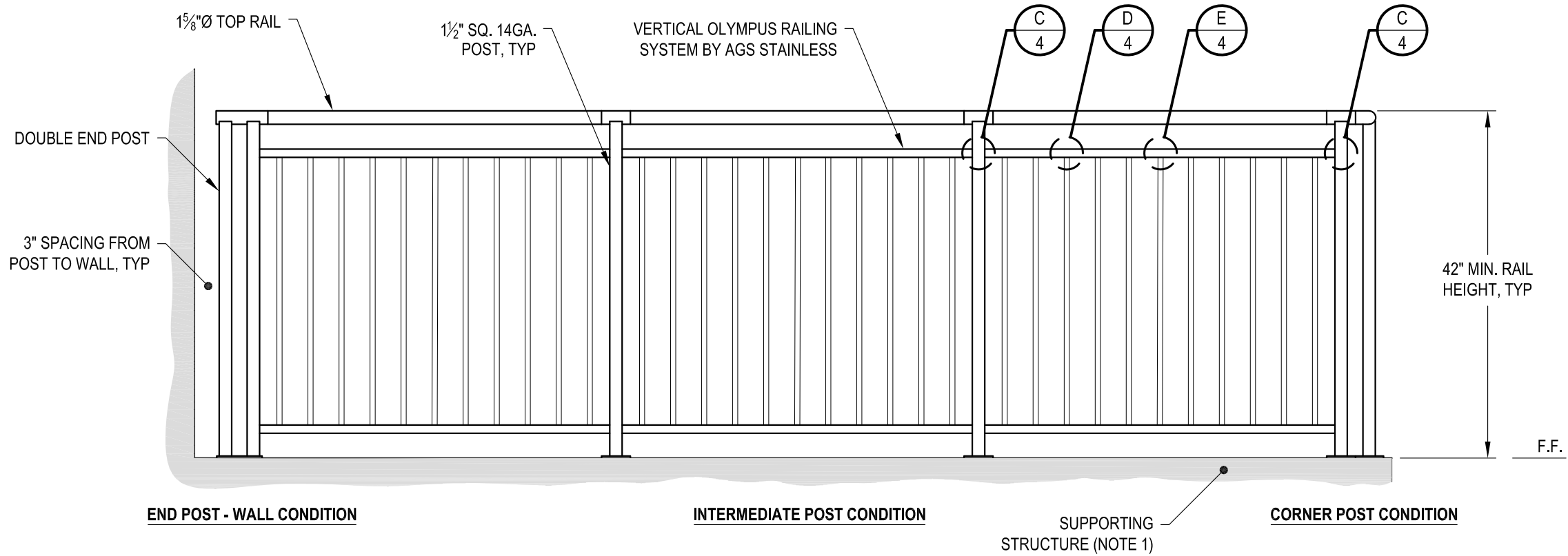
42" TOP MOUNT - ROUND TOP

7873 NE DAY ROAD  
BAINBRIDGE ISLAND, WA 98110  
PHONE - (888) 842-9492  
FAX - (206) 842-8179  
WWW.AGSSTAINLESS.COM



**NOTES:**

1. DECK STRUCTURE CAN VARY GREATLY. IT IS THE RESPONSIBILITY OF THE CUSTOMER TO VERIFY THAT THE SUPPORTING STRUCTURE IS ADEQUATE TO MEET THE LOAD REQUIREMENTS OF THE GOVERNING BUILDING CODE(S). *AGS Stainless Inc.* RECOMMENDS CONSULTING A DESIGN OR CONSTRUCTION PROFESSIONAL TO ADDRESS THESE ISSUES.

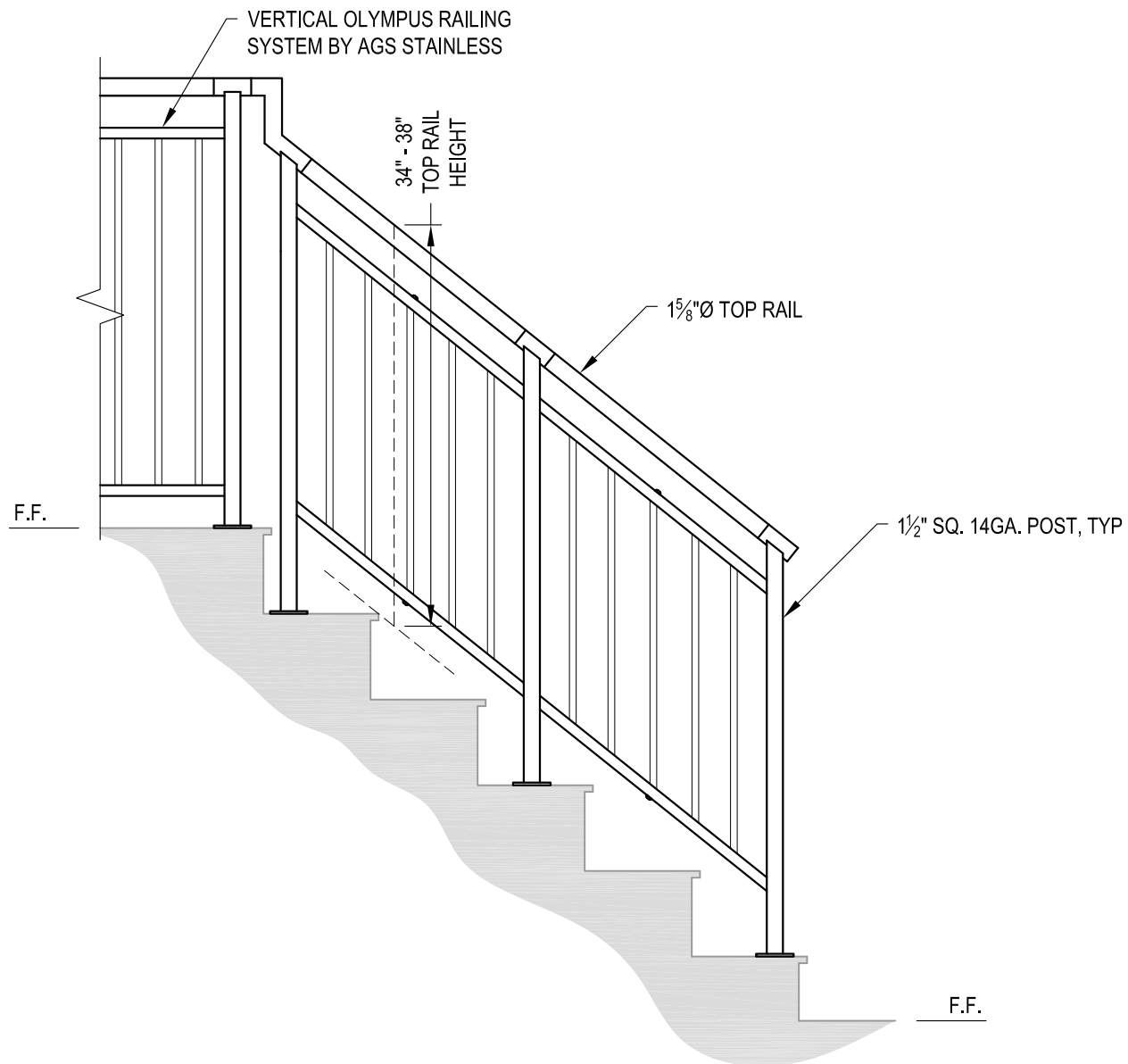


**A** TYPICAL RAILING CONDITION ELEVATION

DWG#	OLYMPUS TM42R	DATE	2024	SHEET	2 OF 4
	SCALE		NONE		DESIGNER
VERTICAL OLYMPUS SPECIFICATION DRAWING					
** RESIDENTIAL **					
42" TOP MOUNT - ROUND TOP					

7873 NE DAY ROAD  
BAMBRIDGE ISLAND, WA 98110  
PHONE - (888) 842-9492  
FAX - (206) 842-8179  
WWW.AGSSTAINLESS.COM





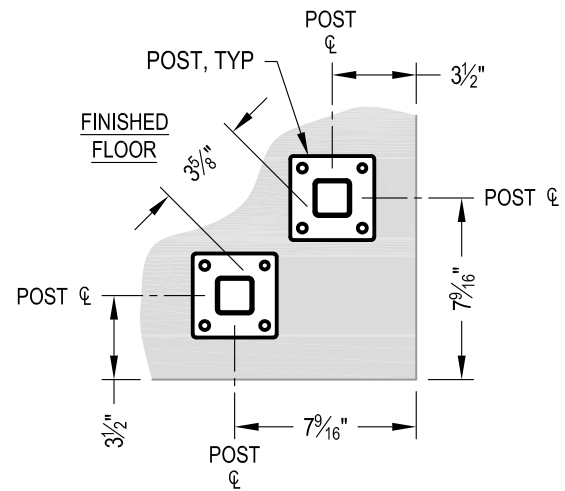
**A** STAIR ELEVATION

**NOTES:**

1. STAIR CONSTRUCTION VARIES GREATLY. AS-BUILT CONDITIONS MAY ALTER RAILING DESIGN, INCLUDING POST LOCATION & MOUNTING, INFILL SPACING & TOP RAIL LAYOUT.

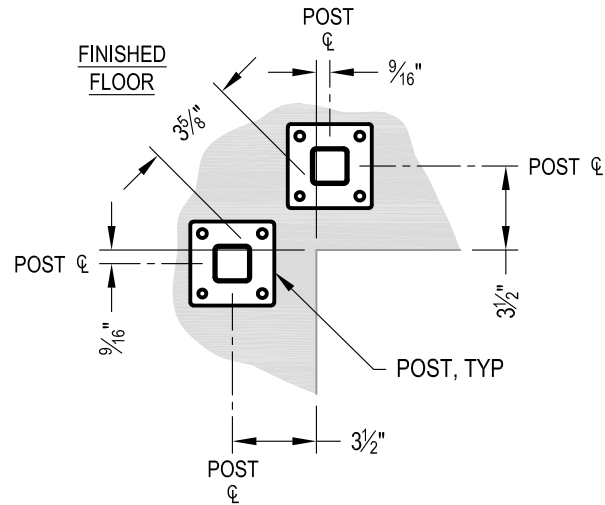
AGS Stainless Clearview® Railing Systems are designed to meet the requirements of the latest edition of the IRC/IBC.

<b>AGS stainless</b> <small>CLEARVIEW® Railing Systems</small>	7873 MEADY ROAD BAINBRIDGE ISLAND, WA 98110 PHONE - (888) 842-9492 FAX - (206) 842-8179 WWW.AGSSTAINLESS.COM	
	<b>VERTICAL OLYMPUS SPECIFICATION DRAWING</b> <b>** RESIDENTIAL **</b> <b>42" TOP MOUNT - ROUND TOP</b>	
OLYMPUS TM42R	NONE	2024
AGS	AGS	3 OF 4



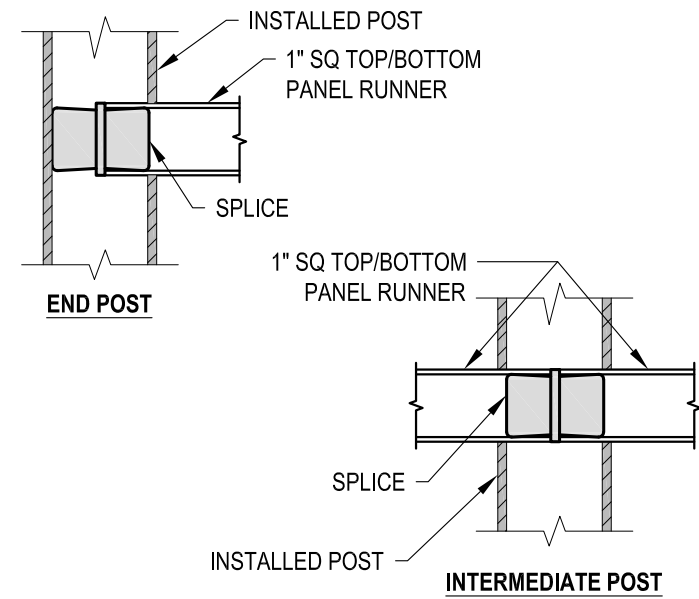
NOTE: 90° SHOWN, OTHER ANGLES SIMILAR

**A** TYPICAL 90° TOP MOUNT OUTSIDE CORNER  
DETAIL

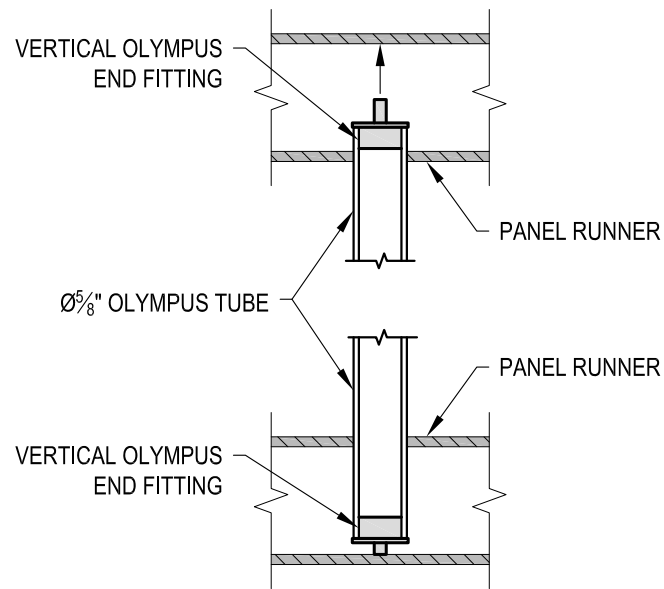


NOTE: 90° SHOWN, OTHER ANGLES SIMILAR

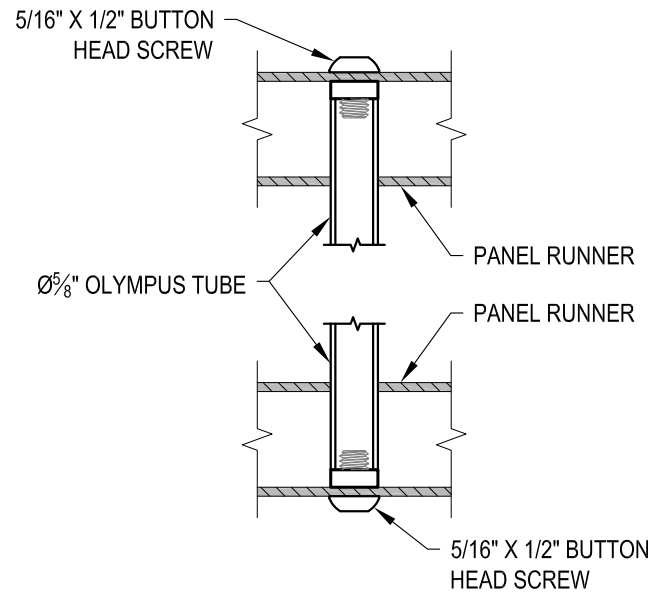
**B** TYPICAL 90° TOP MOUNT INSIDE CORNER  
DETAIL



**C** FITTING INSTALLATION - VERTICAL PANEL RAIL SPLICE  
DETAIL



**D** FITTING INSTALLATION - OLYMPUS INSERT  
DETAIL



**E** FITTING INSTALLATION - MIDDLE SUPPORT TUBE  
DETAIL

AGS Stainless Clearview® Railing Systems are designed to meet the requirements of the latest edition of the IRC/IBC.

DATE	2024
SCALE	NONE
DESIGNER	AGS
SHEET	4 OF 4

VERTICAL OLYMPUS SPECIFICATION DRAWING  
\*\* RESIDENTIAL \*\*

42" TOP MOUNT - ROUND TOP

7873 MEADY ROAD  
BAINBRIDGE ISLAND, WA 98110  
PHONE - (888) 842-9492  
FAX - (206) 842-8779  
WWW.AGSSTAINLESS.COM

