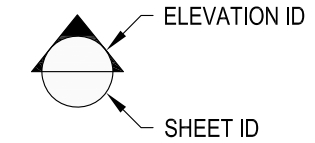
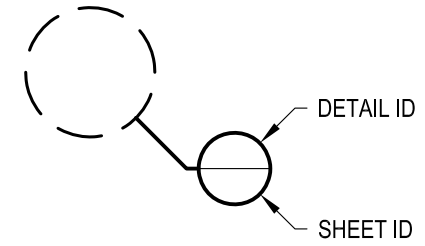


**1** EXAMPLE POST LAYOUT  
PLAN VIEW

**NOTES:**

1. TOP RAIL NOT SHOWN FOR CLARITY.
2. ALL PARTS AND COMPONENTS MADE WITH 316 STAINLESS STEEL UNLESS NOTED OTHERWISE.

**LEGEND**



□ CORE MOUNT POST

☒ CENTERLINE

F.F. FINISHED FLOOR

TYP TYPICAL CONDITION APPLIES ELSEWHERE AT SIMILAR CONDITIONS

OWNER	RAINIER CM36F
SCALE	NONE
DATE	2024
DESIGNER	AGS
SHEET	1 OF 4

VERTICAL RAINIER SPECIFICATION DRAWING  
\*\* RESIDENTIAL \*\*

36" CORE MOUNT - FLAT TOP

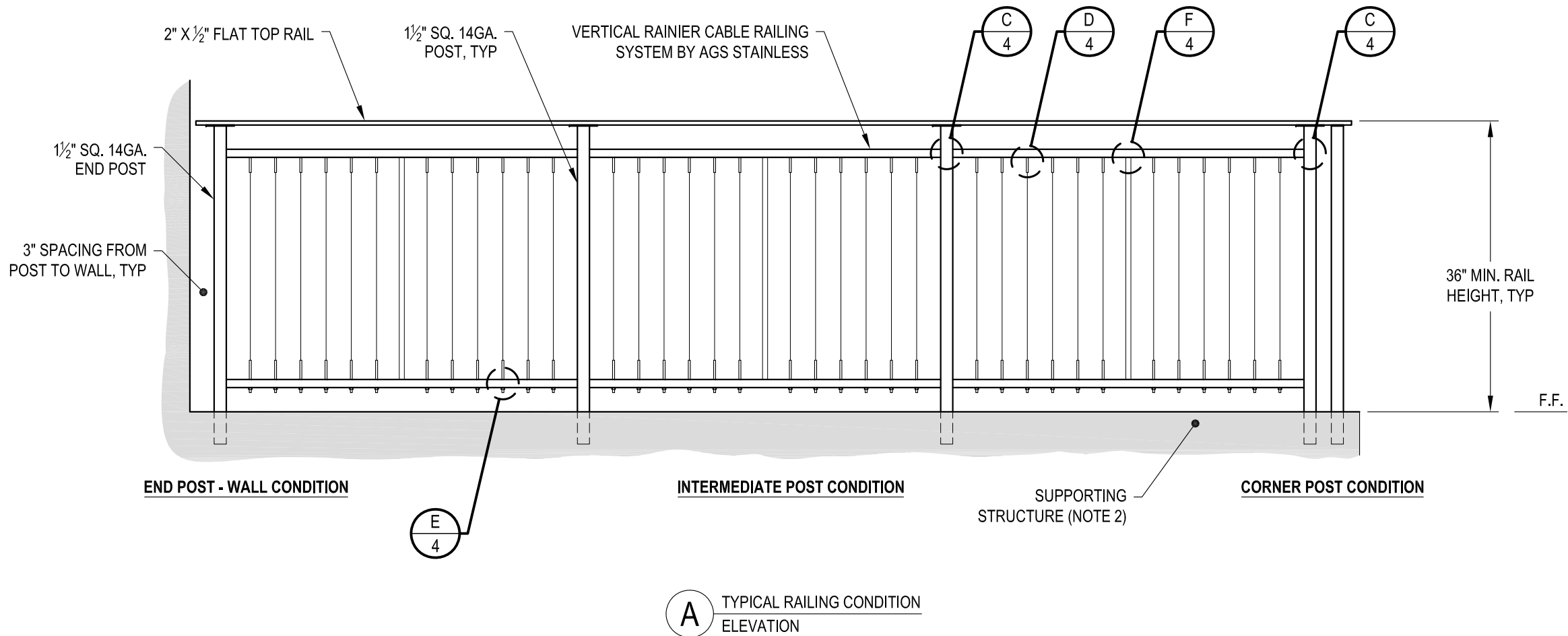
7873 NE DAY ROAD  
BAINBRIDGE ISLAND, WA 98110

PHONE - (888) 842-9492  
FAX - (206) 842-8179  
WWW.AGSSTAINLESS.COM



**NOTES:**

- DECK STRUCTURE CAN VARY GREATLY. IT IS THE RESPONSIBILITY OF THE CUSTOMER TO VERIFY THAT THE SUPPORTING STRUCTURE IS ADEQUATE TO MEET THE LOAD REQUIREMENTS OF THE GOVERNING BUILDING CODE(S). AGS Stainless Inc. RECOMMENDS CONSULTING A DESIGN OR CONSTRUCTION PROFESSIONAL TO ADDRESS THESE ISSUES.



AGS Stainless Clearview® Railing Systems are designed to meet the requirements of the latest edition of the IRC/IBC.

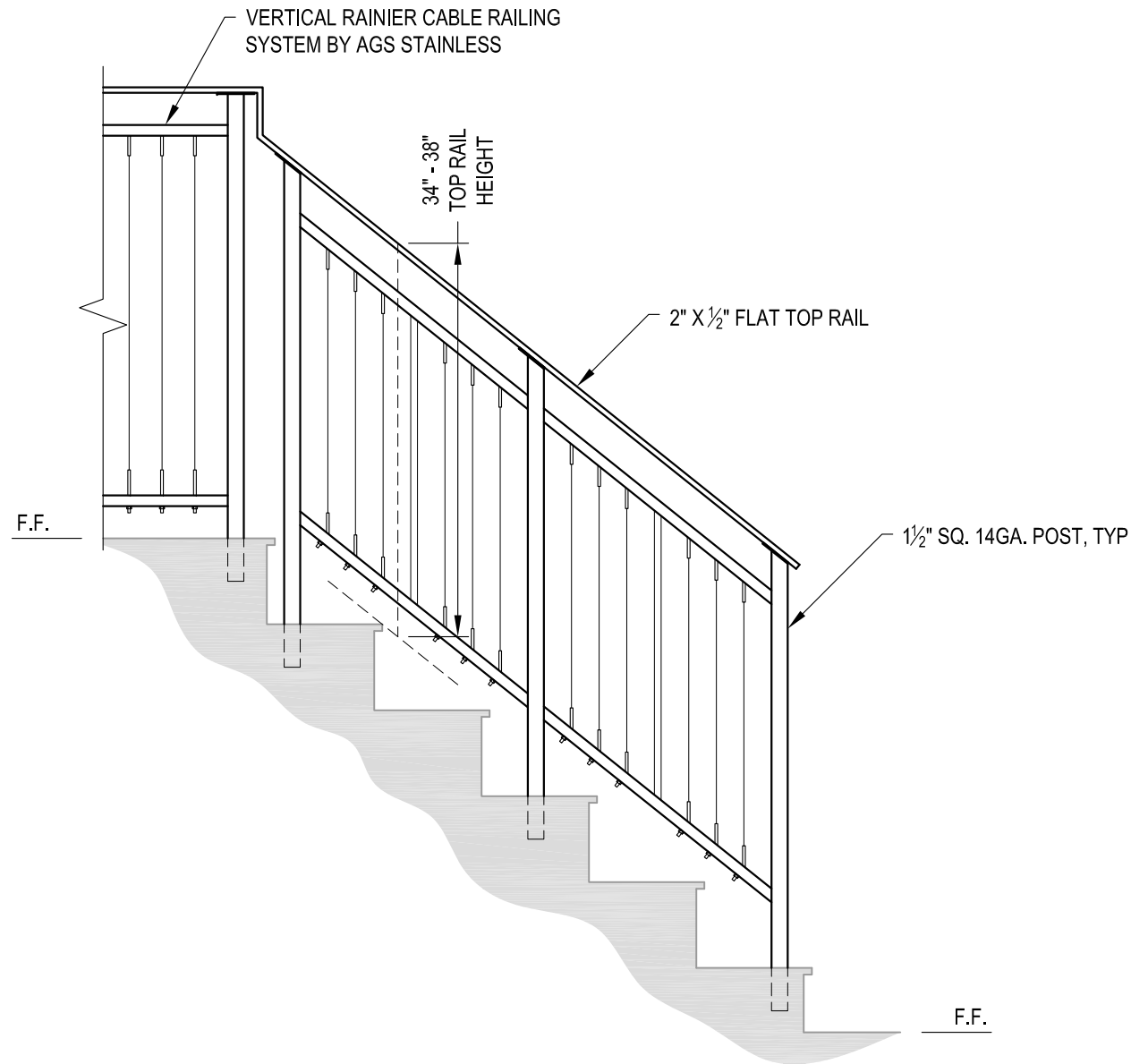
VERTICAL RAINIER SPECIFICATION DRAWING  
 \*\* RESIDENTIAL \*\*

7873 NE DAY ROAD  
 BAINBRIDGE ISLAND, WA 98110  
 PHONE - (888) 842-9492  
 FAX - (206) 842-8179  
 WWW.AGSSTAINLESS.COM

AGS stainless  
 CLEARVIEW® Railing Systems

OWNER: RAINIER CM36F  
 SCALE: NONE  
 DESIGNER: AGS  
 DATE: 2024  
 SHEET: 2 OF 4

36" CORE MOUNT - FLAT TOP



**A** STAIR  
ELEVATION

**NOTES:**

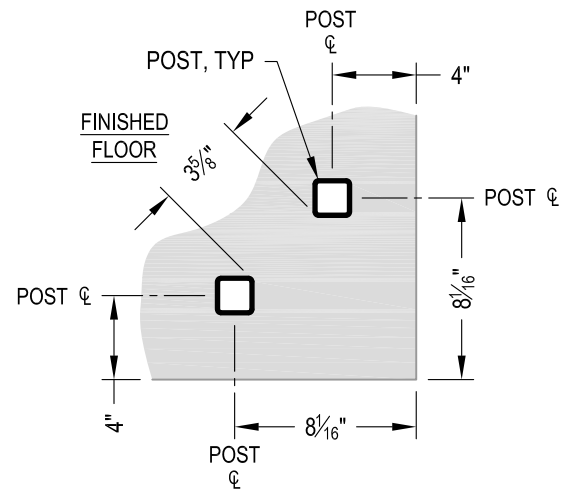
1. STAIR CONSTRUCTION VARIES GREATLY. AS-BUILT CONDITIONS MAY ALTER RAILING DESIGN, INCLUDING POST LOCATION & MOUNTING, INFILL SPACING & TOP RAIL LAYOUT.

AGS Stainless Clearview® Railing Systems are designed to meet the requirements of the latest edition of the IRC/IBC.

DWS*	RAINIER CM36F	DATE	2024
	SCALE	NONE	SHEET
	DESIGNER	AGS	3 OF 4
VERTICAL RAINIER SPECIFICATION DRAWING			
** RESIDENTIAL **			
36" CORE MOUNT - FLAT TOP			

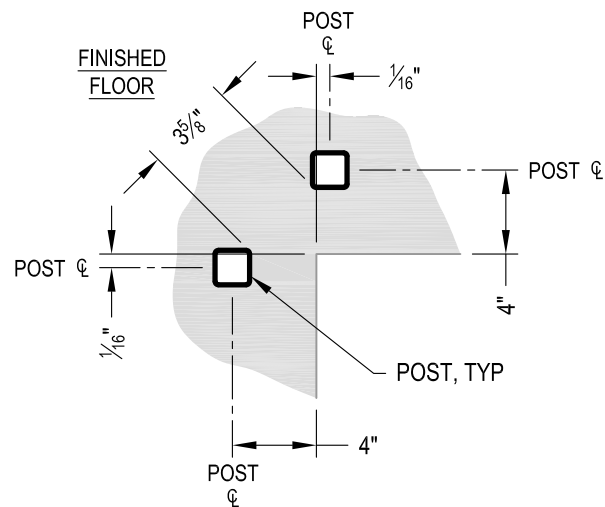
7873 MEADY ROAD  
BAINBRIDGE ISLAND, WA 98110  
PHONE - (888) 842-9492  
FAX - (206) 842-8179  
WWW.AGSSTAINLESS.COM





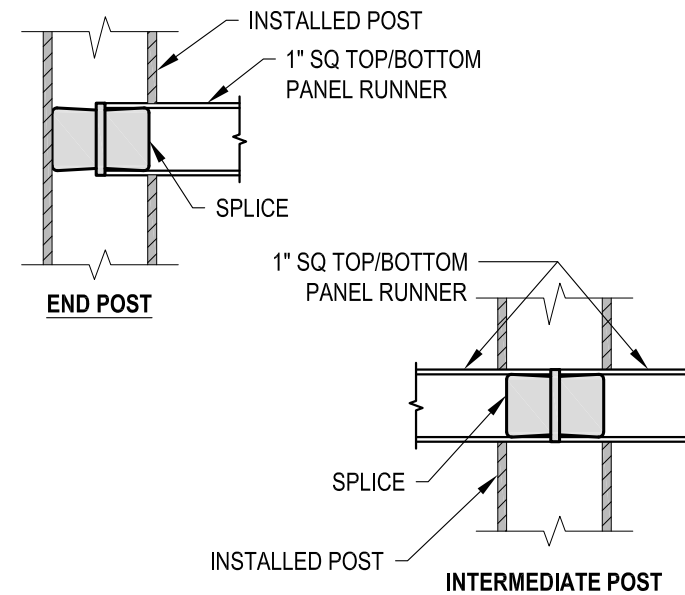
NOTE: 90° SHOWN, OTHER ANGLES SIMILAR

**A** TYPICAL 90° CORE MOUNT OUTSIDE CORNER DETAIL

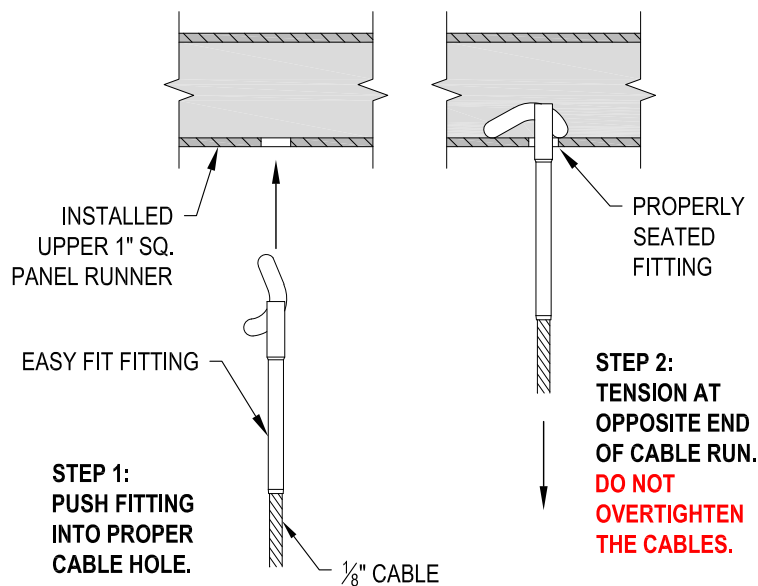


NOTE: 90° SHOWN, OTHER ANGLES SIMILAR

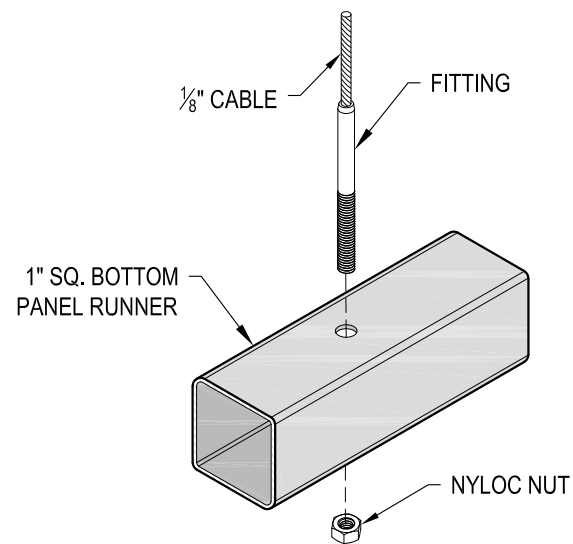
**B** TYPICAL 90° CORE MOUNT INSIDE CORNER DETAIL



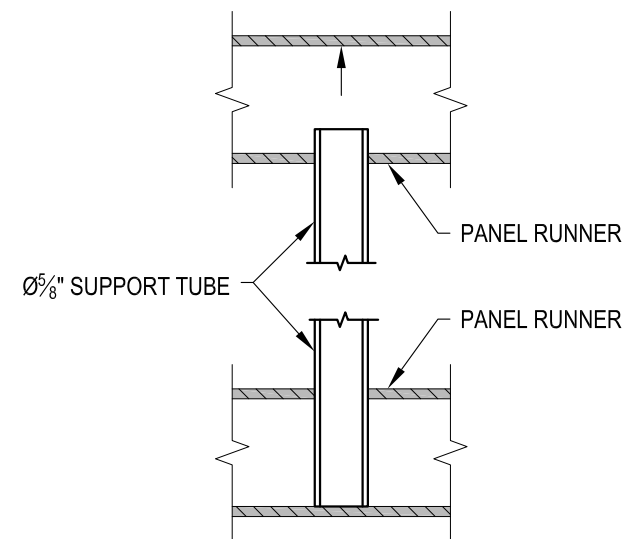
**C** FITTING INSTALLATION - VERTICAL PANEL RAIL SPLICE DETAIL



**D** FITTING INSTALLATION - EASY FIT DETAIL



**E** FITTING INSTALLATION - STANDARD DETAIL



**F** PANEL SUPPORT TUBE INSTALLATION DETAIL

AGS Stainless Clearview® Railing Systems are designed to meet the requirements of the latest edition of the IRC/IBC.

7873 NE DAY ROAD BAINBRIDGE ISLAND, WA 98110 PHONE - (888) 842-9492 FAX - (206) 842-8179 WWW.AGSSTAINLESS.COM	RAINIER CM36F DATE 2024 SCALE NONE DESIGNER AGS	SHEET 4 OF 4
	VERTICAL RAINIER SPECIFICATION DRAWING ** RESIDENTIAL ** 36" CORE MOUNT - FLAT TOP	

