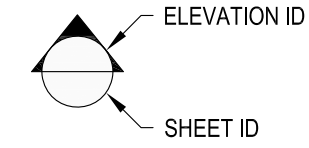
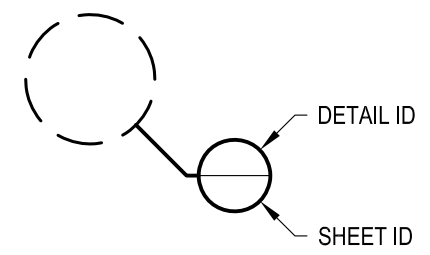


1 EXAMPLE POST LAYOUT
PLAN VIEW

NOTES:

1. TOP RAIL NOT SHOWN FOR CLARITY.
2. ALL PARTS AND COMPONENTS MADE WITH 316 STAINLESS STEEL UNLESS NOTED OTHERWISE.

LEGEND



□ CORE MOUNT POST

☒ CENTERLINE

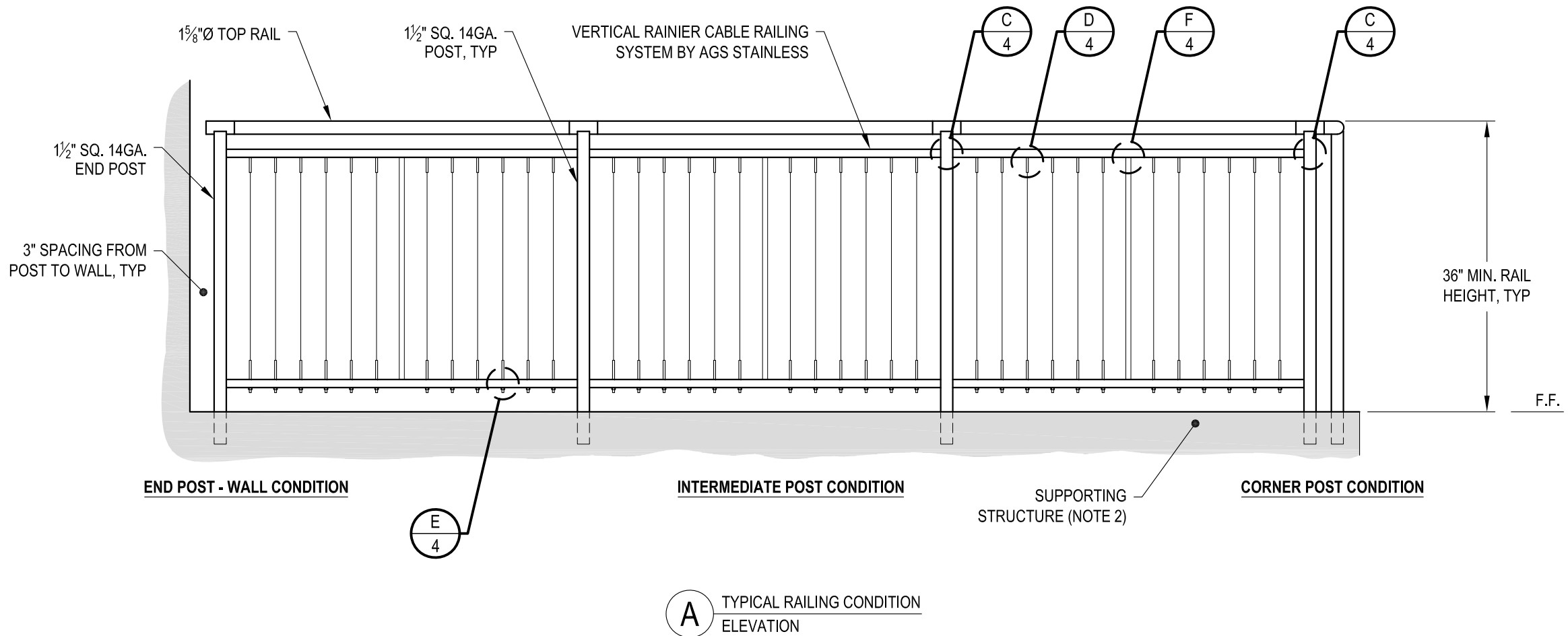
F.F. FINISHED FLOOR

TYP TYPICAL CONDITION APPLIES ELSEWHERE AT SIMILAR CONDITIONS

AGS stainless CLEARVIEW® Railing Systems	7873 NE DAY ROAD BAINBRIDGE ISLAND, WA 98110 PHONE - (888) 842-9492 FAX - (206) 842-8779 WWW.AGSSTAINLESS.COM	VERTICAL RAINIER SPECIFICATION DRAWING ** RESIDENTIAL **	RAINIER CM36R SCALE NONE DESIGNER AGS	DATE 2024 SHEET 1 OF 4
	36" CORE MOUNT - ROUND TOP			

NOTES:

- DECK STRUCTURE CAN VARY GREATLY. IT IS THE RESPONSIBILITY OF THE CUSTOMER TO VERIFY THAT THE SUPPORTING STRUCTURE IS ADEQUATE TO MEET THE LOAD REQUIREMENTS OF THE GOVERNING BUILDING CODE(S). *AGS Stainless Inc.* RECOMMENDS CONSULTING A DESIGN OR CONSTRUCTION PROFESSIONAL TO ADDRESS THESE ISSUES.



AGS Stainless Clearview® Railing Systems are designed to meet the requirements of the latest edition of the IRC/IBC.

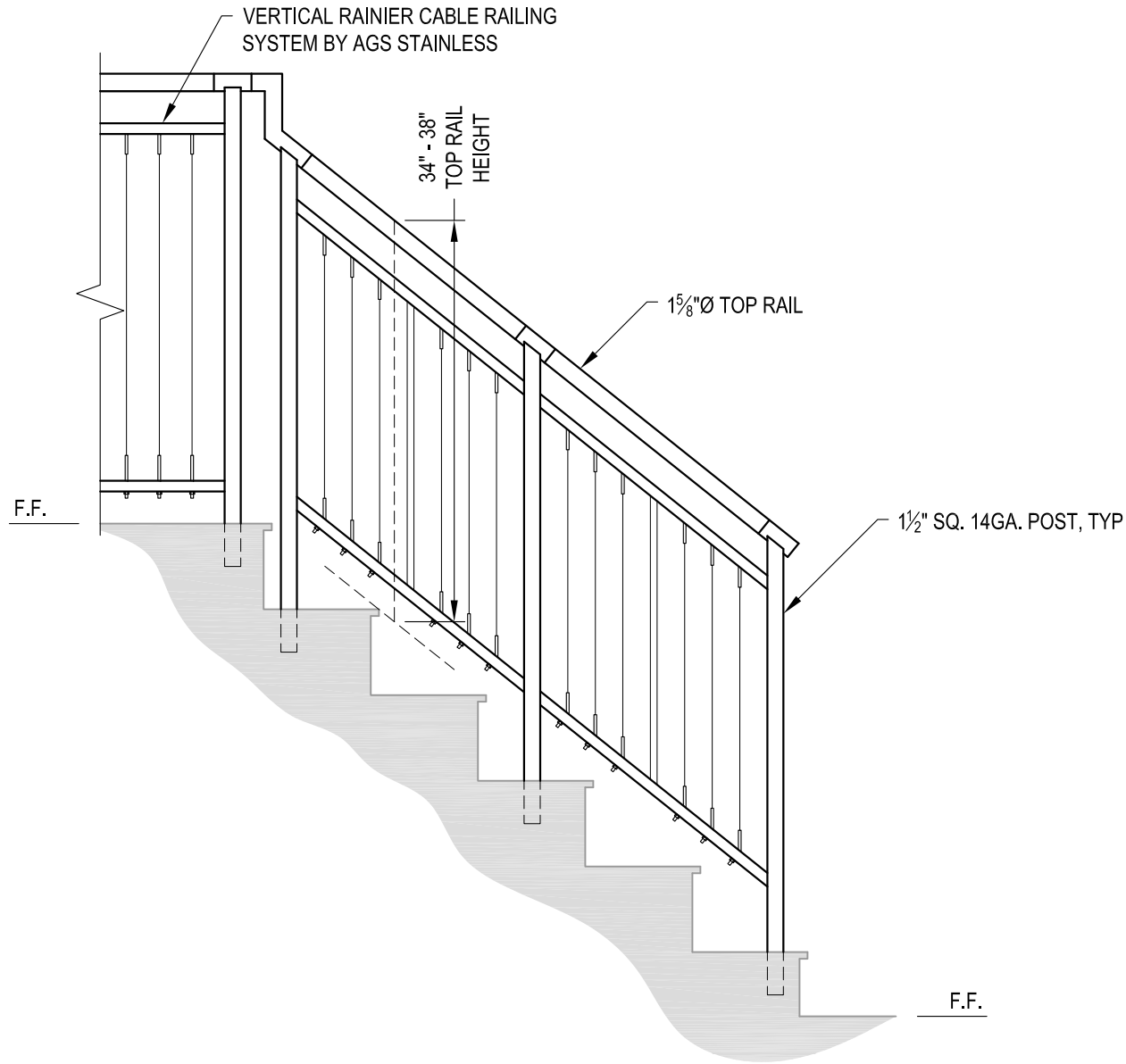
VERTICAL RAINIER SPECIFICATION DRAWING
 ** RESIDENTIAL **

36" CORE MOUNT - ROUND TOP

7873 NE DAY ROAD
 BAINBRIDGE ISLAND, WA 98110
 PHONE - (888) 842-9492
 FAX - (206) 842-8179
 WWW.AGSTAINLESS.COM



DESIGNER	AGS	DATE	2024
SCALE	NONE	SHEET	2 OF 4
PROJECT: RAINIER CM36R			



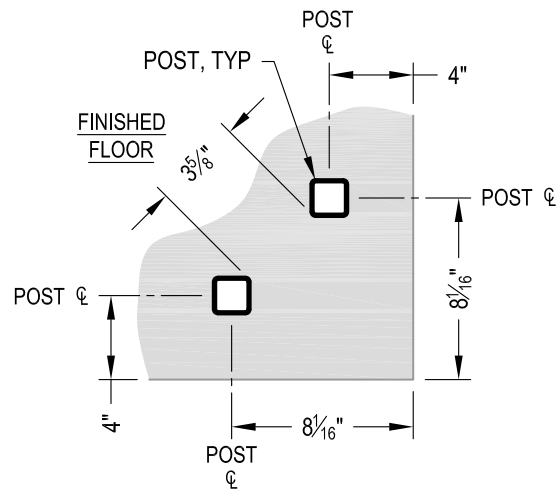
A STAIR
ELEVATION

NOTES:

1. STAIR CONSTRUCTION VARIES GREATLY. AS-BUILT CONDITIONS MAY ALTER RAILING DESIGN, INCLUDING POST LOCATION & MOUNTING, INFILL SPACING & TOP RAIL LAYOUT.

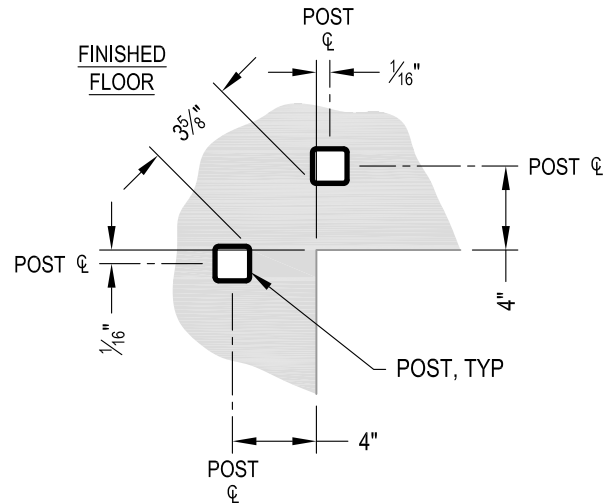
AGS Stainless Clearview® Railing Systems are designed to meet the requirements of the latest edition of the IRC/IBC.

DWS# VERTICAL RAINIER SPECIFICATION DRAWING ** RESIDENTIAL ** 36" CORE MOUNT - ROUND TOP	RAINIER CM36R	2024	3 OF 4
	SCALE NONE	DATE NONE	SHEET AGS
7873 MEADY ROAD BANBRIDGE ISLAND, WA 98110 PHONE - (888) 842-9492 FAX - (206) 842-8179 WWW.AGSSTAINLESS.COM			



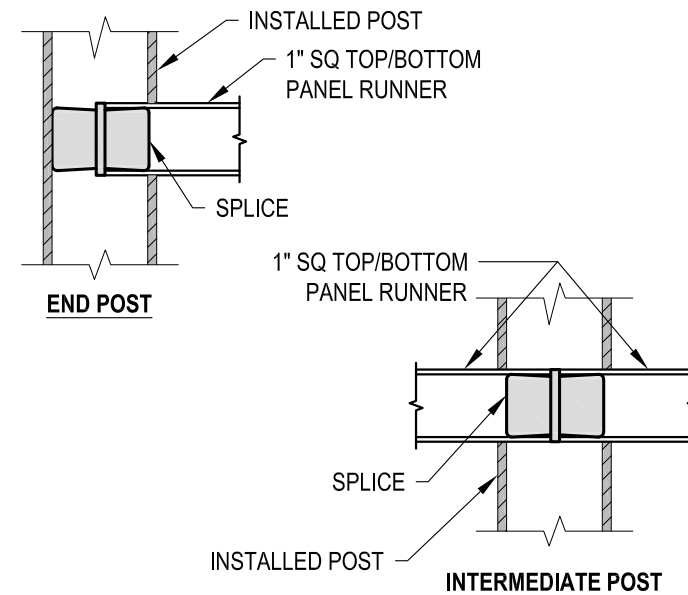
NOTE: 90° SHOWN, OTHER ANGLES SIMILAR

A TYPICAL 90° CORE MOUNT OUTSIDE CORNER DETAIL

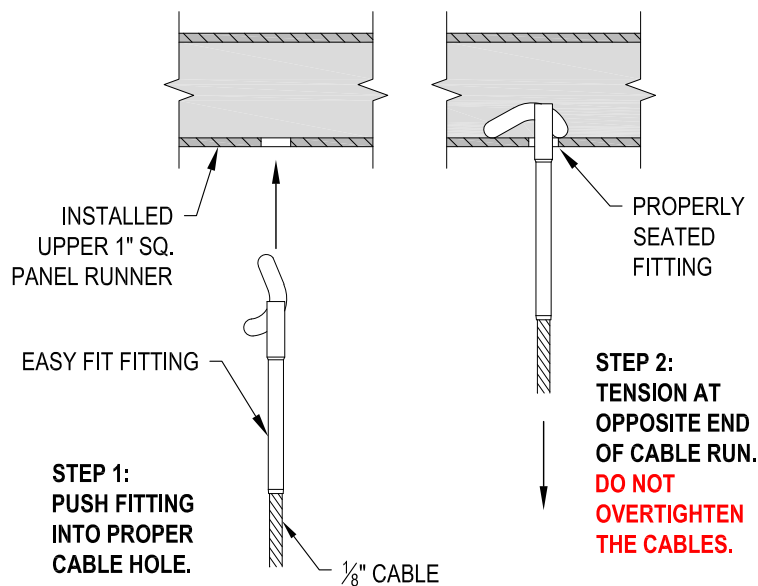


NOTE: 90° SHOWN, OTHER ANGLES SIMILAR

B TYPICAL 90° CORE MOUNT INSIDE CORNER DETAIL

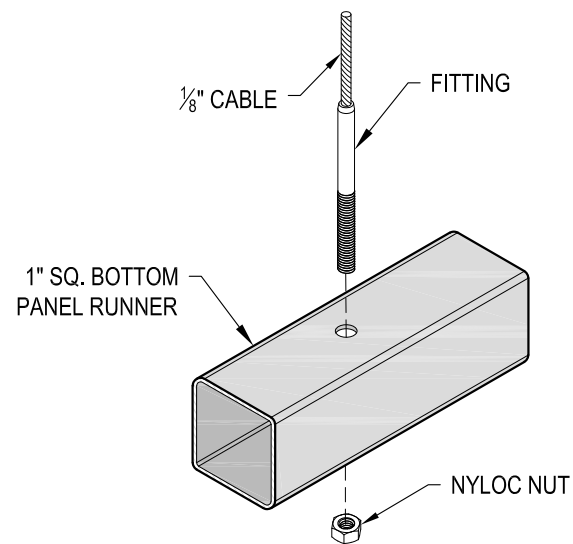


C FITTING INSTALLATION - VERTICAL PANEL RAIL SPLICE DETAIL

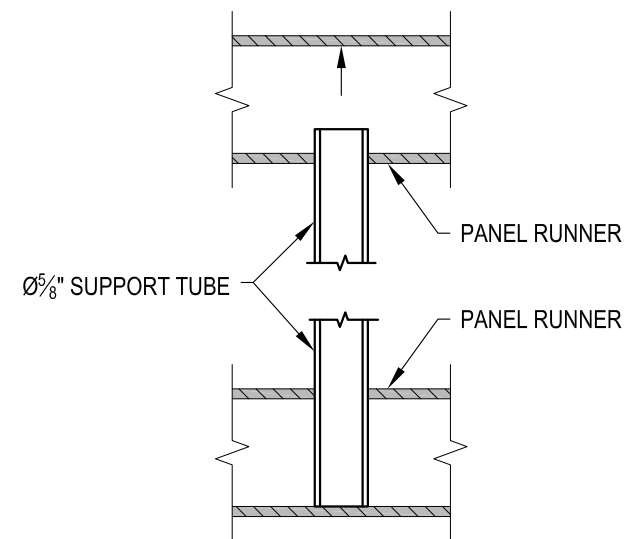


STEP 2: TENSION AT OPPOSITE END OF CABLE RUN. **DO NOT OVERTIGHTEN THE CABLES.**

D FITTING INSTALLATION - EASY FIT DETAIL



E FITTING INSTALLATION - STANDARD DETAIL



F PANEL SUPPORT TUBE INSTALLATION DETAIL

7873 NE DAY ROAD BAINBRIDGE ISLAND, WA 98110 PHONE - (888) 842-9492 FAX - (206) 842-8179 WWW.AGSSTAINLESS.COM	RAINIER CM36R DATE 2024 SCALE NONE DESIGNER AGS	SHEET 4 OF 4
	VERTICAL RAINIER SPECIFICATION DRAWING ** RESIDENTIAL ** 36" CORE MOUNT - ROUND TOP	

