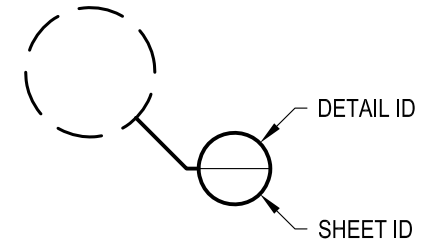


1 EXAMPLE POST LAYOUT
PLAN VIEW

NOTES:

1. TOP RAIL NOT SHOWN FOR CLARITY.
2. ALL PARTS AND COMPONENTS MADE WITH 316 STAINLESS STEEL UNLESS NOTED OTHERWISE.

LEGEND



□ CORE MOUNT POST

□ □ CORE MOUNT DOUBLE POST

☉ CENTERLINE

F.F. FINISHED FLOOR

TYP TYPICAL CONDITION APPLIES ELSEWHERE AT SIMILAR CONDITIONS

DWS*	RAINIER CM42F	DATE	2024
	SCALE	NONE	SHEET
	DESIGNER	AGS	1 OF 4

VERTICAL RAINIER SPECIFICATION DRAWING
** RESIDENTIAL **

42" CORE MOUNT - FLAT TOP

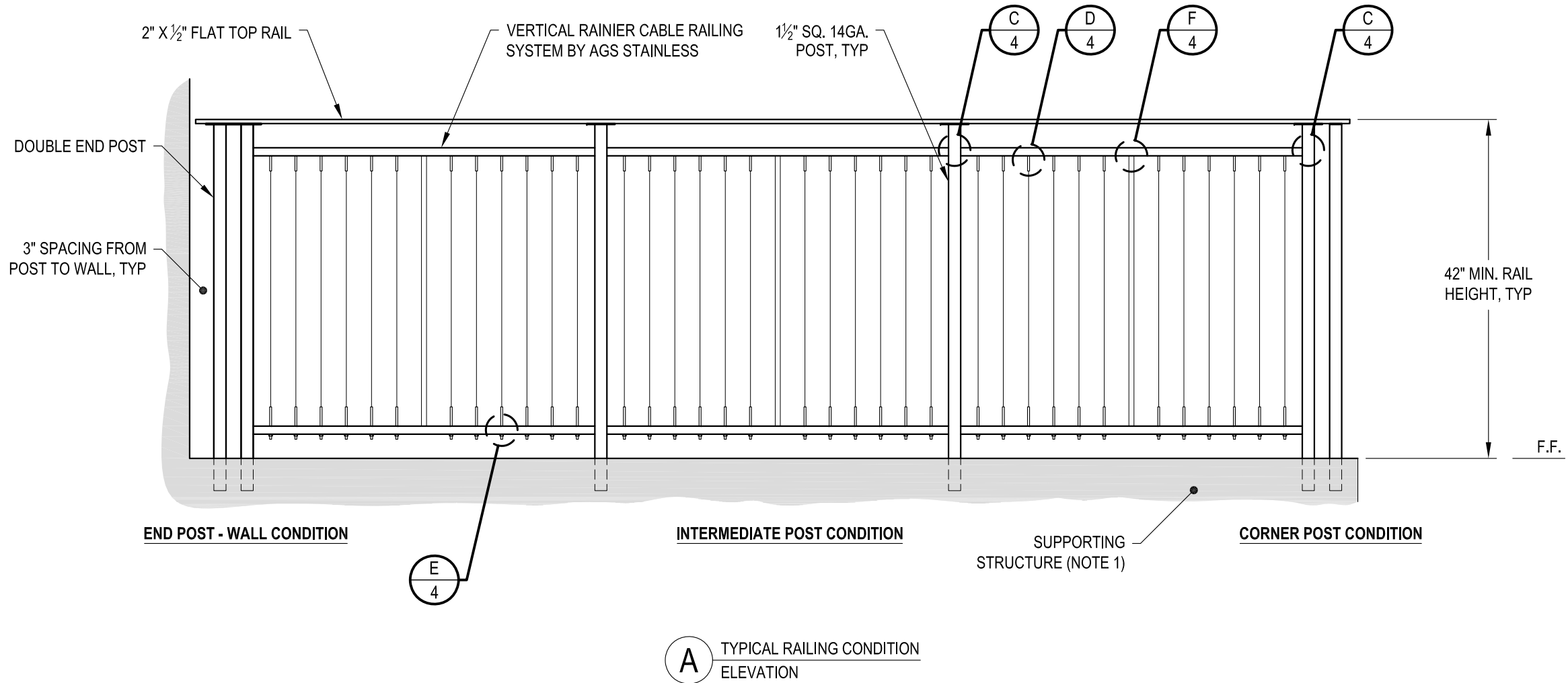
7873 NE DAY ROAD
BAINBRIDGE ISLAND, WA 98110

PHONE - (888) 842-9492
FAX - (206) 842-8179
WWW.AGSSTAINLESS.COM



NOTES:

1. DECK STRUCTURE CAN VARY GREATLY. IT IS THE RESPONSIBILITY OF THE CUSTOMER TO VERIFY THAT THE SUPPORTING STRUCTURE IS ADEQUATE TO MEET THE LOAD REQUIREMENTS OF THE GOVERNING BUILDING CODE(S). AGS Stainless Inc. RECOMMENDS CONSULTING A DESIGN OR CONSTRUCTION PROFESSIONAL TO ADDRESS THESE ISSUES.

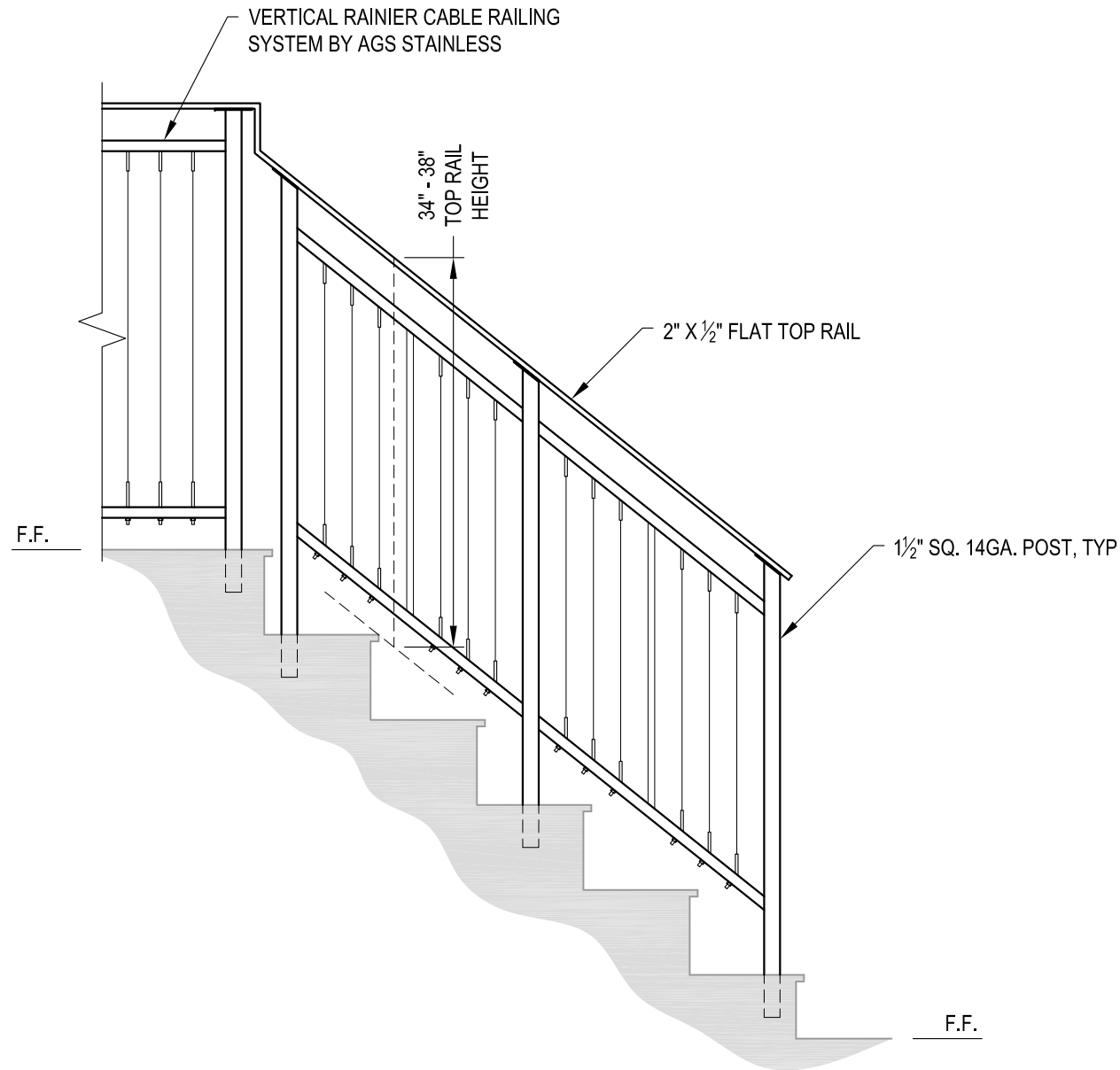


DWS*	RAINIER CM42F	DATE	2024
	SCALE	NONE	SHEET
	DESIGNER	AGS	2 OF 4

VERTICAL RAINIER SPECIFICATION DRAWING
 ** RESIDENTIAL **
 42" CORE MOUNT - FLAT TOP

7873 NE DAY ROAD
 BAINBRIDGE ISLAND, WA 98110
 PHONE - (888) 842-9492
 FAX - (206) 842-8179
 WWW.AGSSTAINLESS.COM

AGS stainless
 CLEARVIEW® Railing Systems



A STAIR
ELEVATION

NOTES:

1. STAIR CONSTRUCTION VARIES GREATLY. AS-BUILT CONDITIONS MAY ALTER RAILING DESIGN, INCLUDING POST LOCATION & MOUNTING, INFILL SPACING & TOP RAIL LAYOUT.

AGS Stainless Clearview® Railing Systems are designed to meet the requirements of the latest edition of the IRC/IBC.

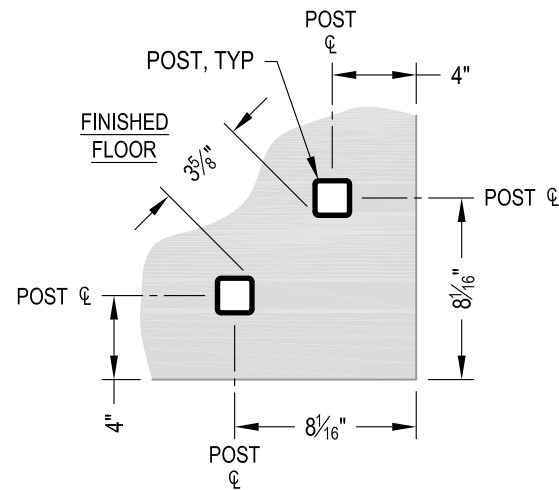
OWNER	RAINIER CM42F
SCALE	NONE
DESIGNER	AGS
DATE	2024
SHEET	3 OF 4

VERTICAL RAINIER SPECIFICATION DRAWING
** RESIDENTIAL **

42" CORE MOUNT - FLAT TOP

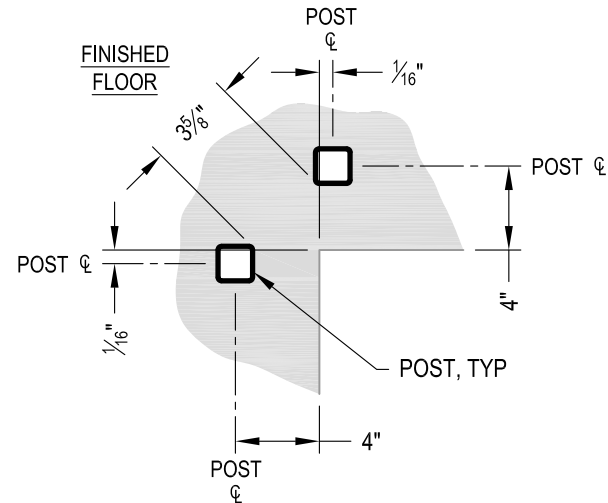
7873 MEADY ROAD
BAINBRIDGE ISLAND, WA 98110
PHONE - (888) 842-9492
FAX - (206) 842-8179
WWW.AGSSTAINLESS.COM





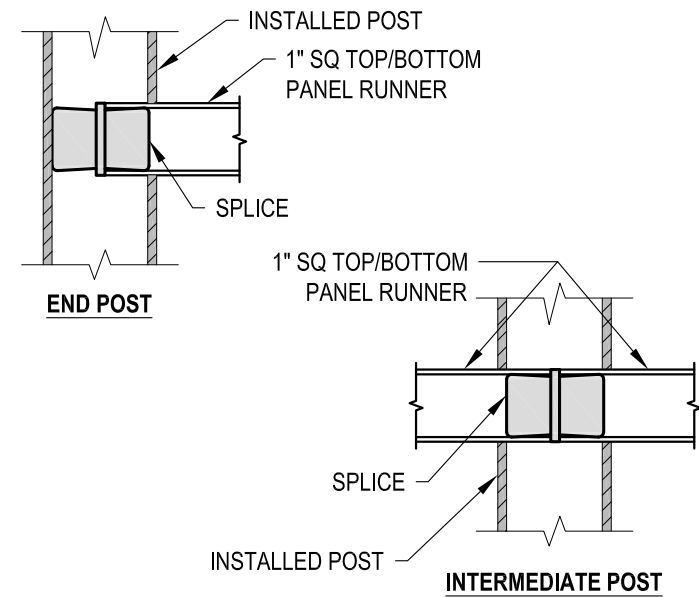
NOTE: 90° SHOWN, OTHER ANGLES SIMILAR

A TYPICAL 90° CORE MOUNT OUTSIDE CORNER DETAIL

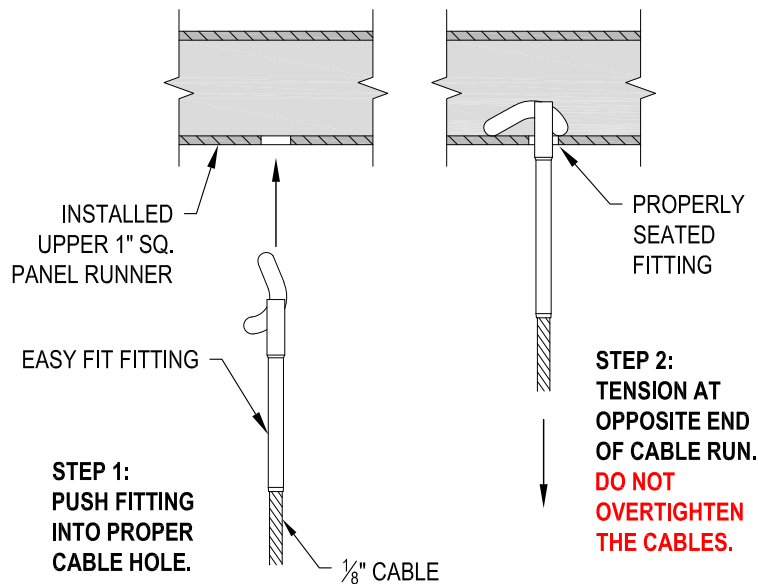


NOTE: 90° SHOWN, OTHER ANGLES SIMILAR

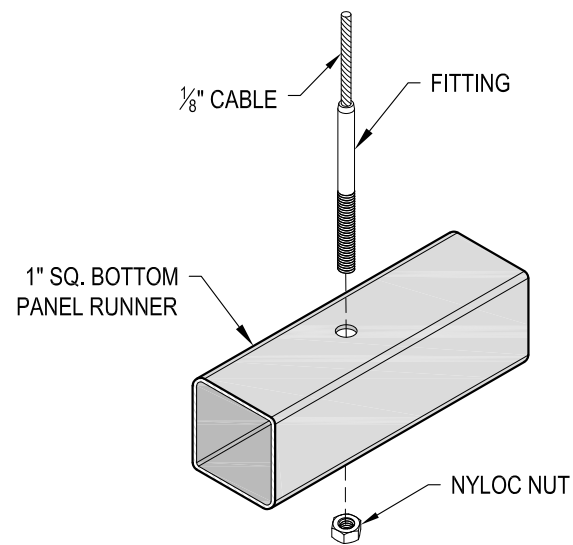
B TYPICAL 90° CORE MOUNT INSIDE CORNER DETAIL



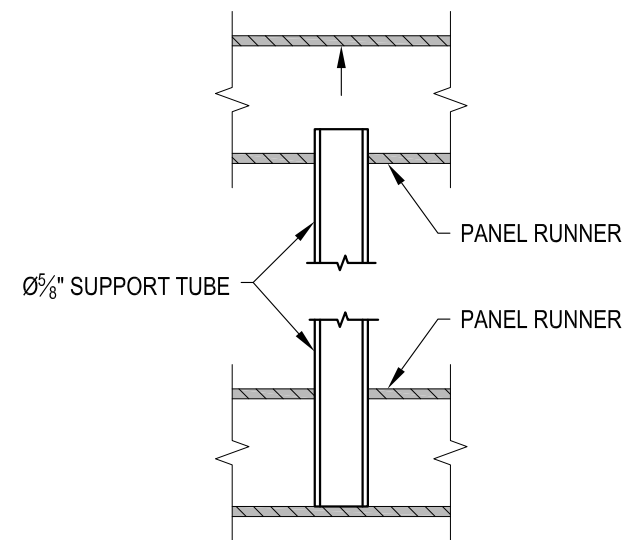
C FITTING INSTALLATION - VERTICAL PANEL RAIL SPLICE DETAIL



D FITTING INSTALLATION - EASY FIT DETAIL



E FITTING INSTALLATION - STANDARD DETAIL



F PANEL SUPPORT TUBE INSTALLATION DETAIL

AGS Stainless Clearview® Railing Systems are designed to meet the requirements of the latest edition of the IRC/IBC.

7873 NE DAY ROAD BAINBRIDGE ISLAND, WA 98110 PHONE - (888) 842-9492 FAX - (206) 842-8179 WWW.AGSSTAINLESS.COM	RAINIER CM42F	DATE 2024	SHEET 4 OF 4
	VERTICAL RAINIER SPECIFICATION DRAWING ** RESIDENTIAL **	SCALE NONE	DESIGNER AGS

