

1 EXAMPLE POST LAYOUT
PLAN VIEW

NOTES:

1. TOP RAIL NOT SHOWN FOR CLARITY.
2. ALL PARTS AND COMPONENTS MADE WITH 316 STAINLESS STEEL UNLESS NOTED OTHERWISE.

LEGEND



□ CORE MOUNT POST

□ □ CORE MOUNT DOUBLE POST

☉ CENTERLINE

F.F. FINISHED FLOOR

TYP TYPICAL CONDITION APPLIES ELSEWHERE AT SIMILAR CONDITIONS

OWNER	RAINIER CM42W
SCALE	NONE
DATE	2024
DESIGNER	AGS
SHEET	1 OF 4

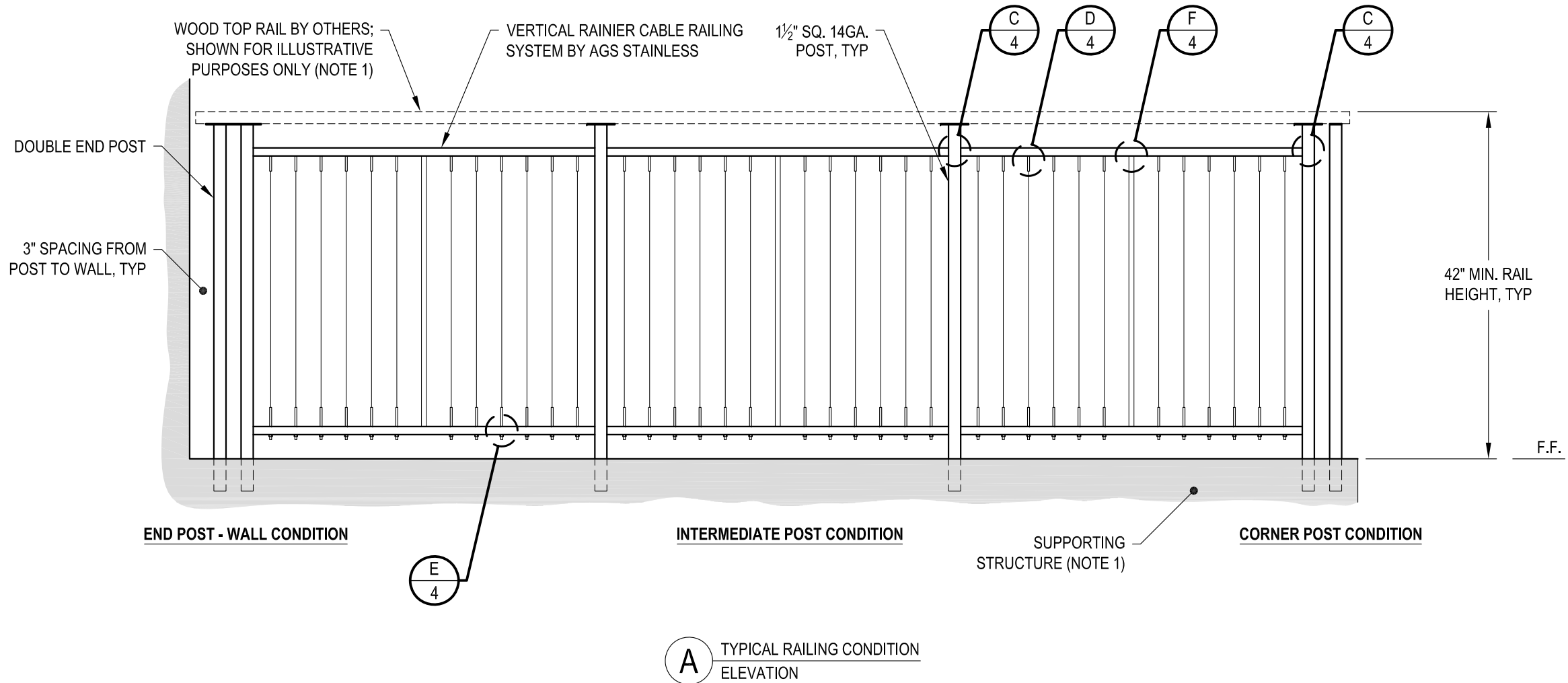
VERTICAL RAINIER SPECIFICATION DRAWING
** RESIDENTIAL **
42" CORE MOUNT - WOOD TOP

7873 NE DAY ROAD
BAINBRIDGE ISLAND, WA 98110
PHONE - (888) 842-9492
FAX - (206) 842-8179
WWW.AGSSTAINLESS.COM



NOTES:

1. TOP RAIL SHOULD BE SELECTED SO THAT ALL GOVERNING CODE REQUIREMENTS ARE SATISFIED. THESE INCLUDE SHAPE, STRENGTH AND RAILING HEIGHT.
2. DECK STRUCTURE CAN VARY GREATLY. IT IS THE RESPONSIBILITY OF THE CUSTOMER TO VERIFY THAT THE SUPPORTING STRUCTURE IS ADEQUATE TO MEET THE LOAD REQUIREMENTS OF THE GOVERNING BUILDING CODE(S). AGS Stainless Inc. RECOMMENDS CONSULTING A DESIGN OR CONSTRUCTION PROFESSIONAL TO ADDRESS THESE ISSUES.



AGS Stainless Clearview® Railing Systems are designed to meet the requirements of the latest edition of the IRC/IBC.

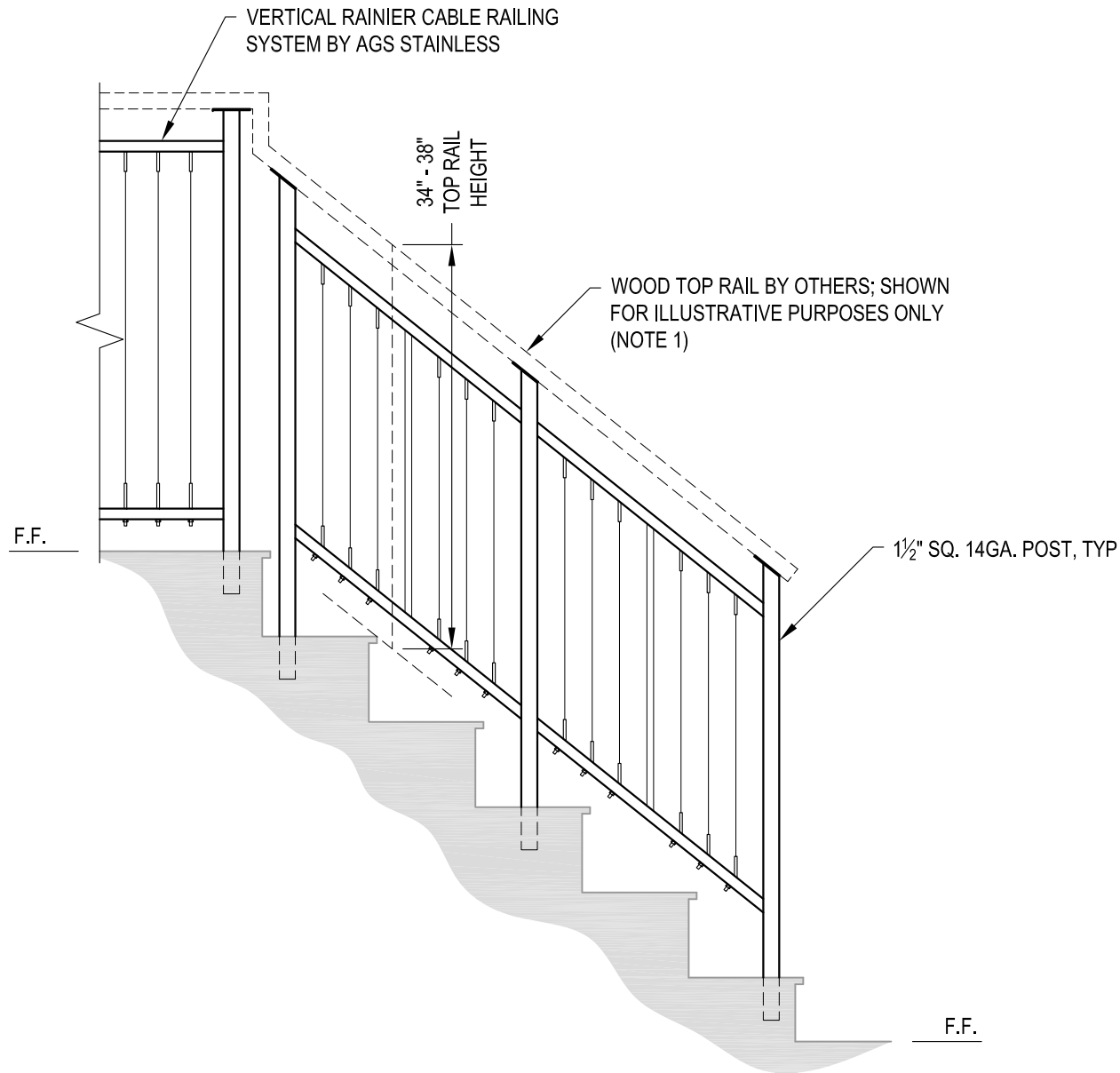
DATE	2024
SCALE	NONE
DESIGNER	AGS
SHEET	2 OF 4

VERTICAL RAINIER RAILING SPECIFICATION DRAWING
 ** RESIDENTIAL **

42" CORE MOUNT - WOOD TOP

7873 NE DAY ROAD
 BAINBRIDGE ISLAND, WA 98110
 PHONE - (888) 842-9492
 FAX - (206) 842-8179
 WWW.AGSTAINLESS.COM





A STAIR
ELEVATION

NOTES:

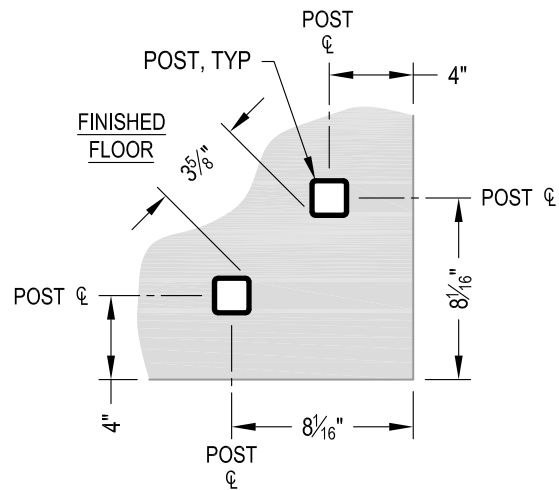
1. TOP RAIL SHOULD BE SELECTED SO THAT ALL GOVERNING CODE REQUIREMENTS ARE SATISFIED. THESE INCLUDE SHAPE, STRENGTH AND RAILING HEIGHT.
2. STAIR CONSTRUCTION VARIES GREATLY. AS-BUILT CONDITIONS MAY ALTER RAILING DESIGN, INCLUDING POST LOCATION & MOUNTING, INFILL SPACING & TOP RAIL LAYOUT.

DATE	2024
SCALE	NONE
DESIGNER	AGS
SHEET	3 OF 4

VERTICAL RAINIER SPECIFICATION DRAWING
 ** RESIDENTIAL **
 42" CORE MOUNT - WOOD TOP

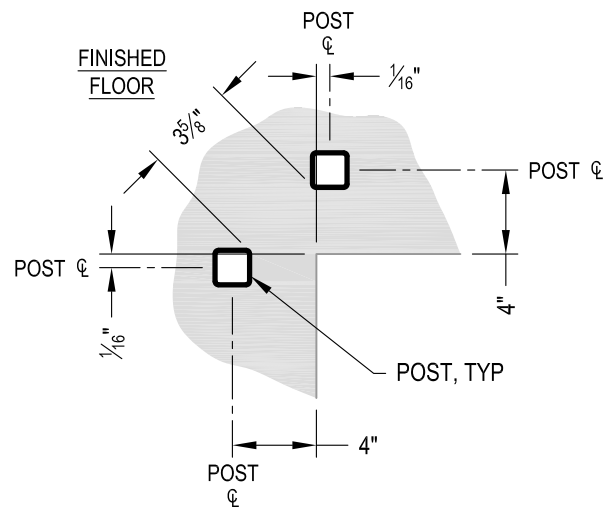
7873 NE DAY ROAD
 BAINBRIDGE ISLAND, WA 98110
 PHONE - (888) 842-9492
 FAX - (206) 842-8179
 WWW.AGSSTAINLESS.COM





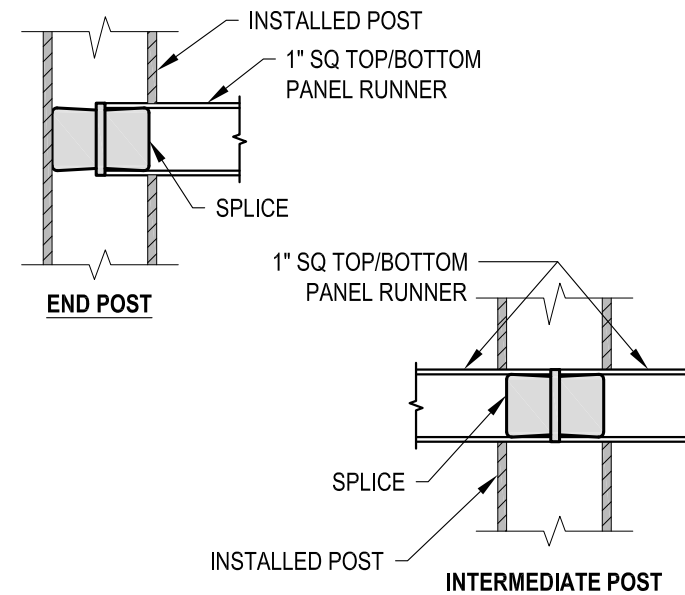
NOTE: 90° SHOWN, OTHER ANGLES SIMILAR

A TYPICAL 90° CORE MOUNT OUTSIDE CORNER DETAIL

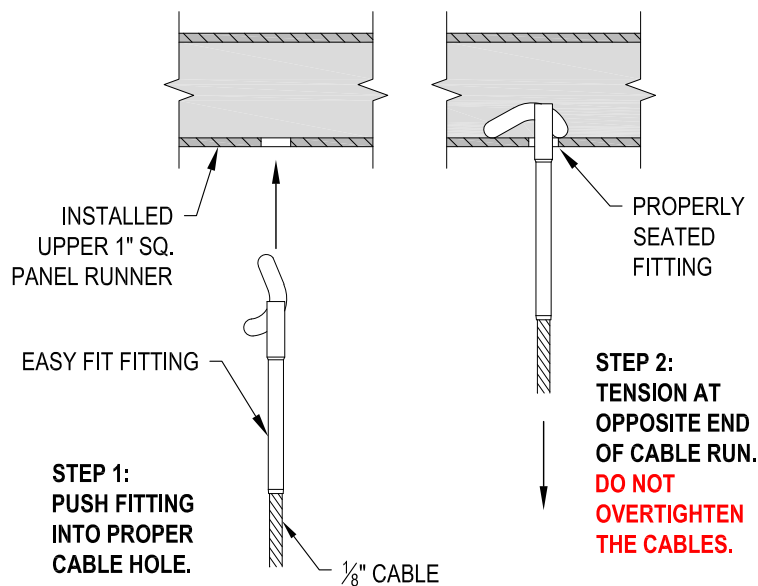


NOTE: 90° SHOWN, OTHER ANGLES SIMILAR

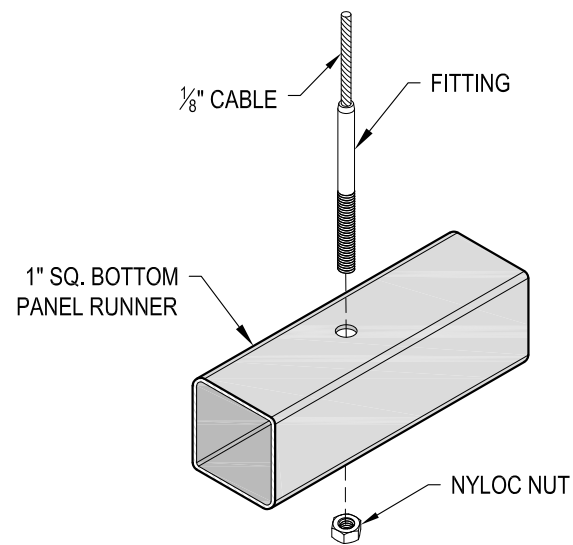
B TYPICAL 90° CORE MOUNT INSIDE CORNER DETAIL



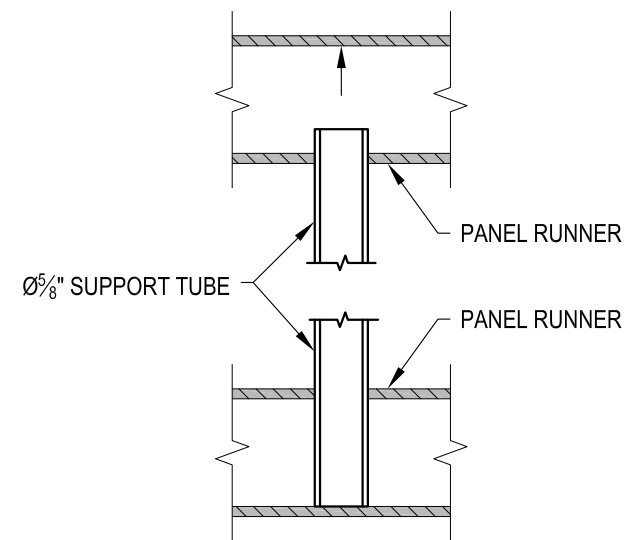
C FITTING INSTALLATION - VERTICAL PANEL RAIL SPLICE DETAIL



D FITTING INSTALLATION - EASY FIT DETAIL



E FITTING INSTALLATION - STANDARD DETAIL



F PANEL SUPPORT TUBE INSTALLATION DETAIL

AGS Stainless Clearview® Railing Systems are designed to meet the requirements of the latest edition of the IRC/IBC.

7873 NE DAY ROAD BAINBRIDGE ISLAND, WA 98110 PHONE - (888) 842-9492 FAX - (206) 842-8179 WWW.AGSSTAINLESS.COM	RAINIER CM42W	DATE 2024	SHEET 4 OF 4
	VERTICAL RAINIER SPECIFICATION DRAWING ** RESIDENTIAL **	SCALE NONE	DESIGNER AGS
 CLEARVIEW® Railing Systems			