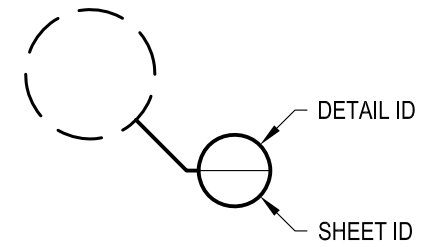


1 EXAMPLE POST LAYOUT
PLAN VIEW

NOTES:

1. TOP RAIL NOT SHOWN FOR CLARITY.
2. ALL PARTS AND COMPONENTS MADE WITH 316 STAINLESS STEEL UNLESS NOTED OTHERWISE.

LEGEND



□ SIDE MOUNT POST

□ □ SIDE MOUNT DOUBLE POST

⊕ CENTERLINE

F.F. FINISHED FLOOR

TYP TYPICAL CONDITION APPLIES
ELSEWHERE AT SIMILAR CONDITIONS

OWNER	RAINIER SM36R
SCALE	NONE
DATE	2024
DESIGNER	AGS
SHEET	1 OF 4

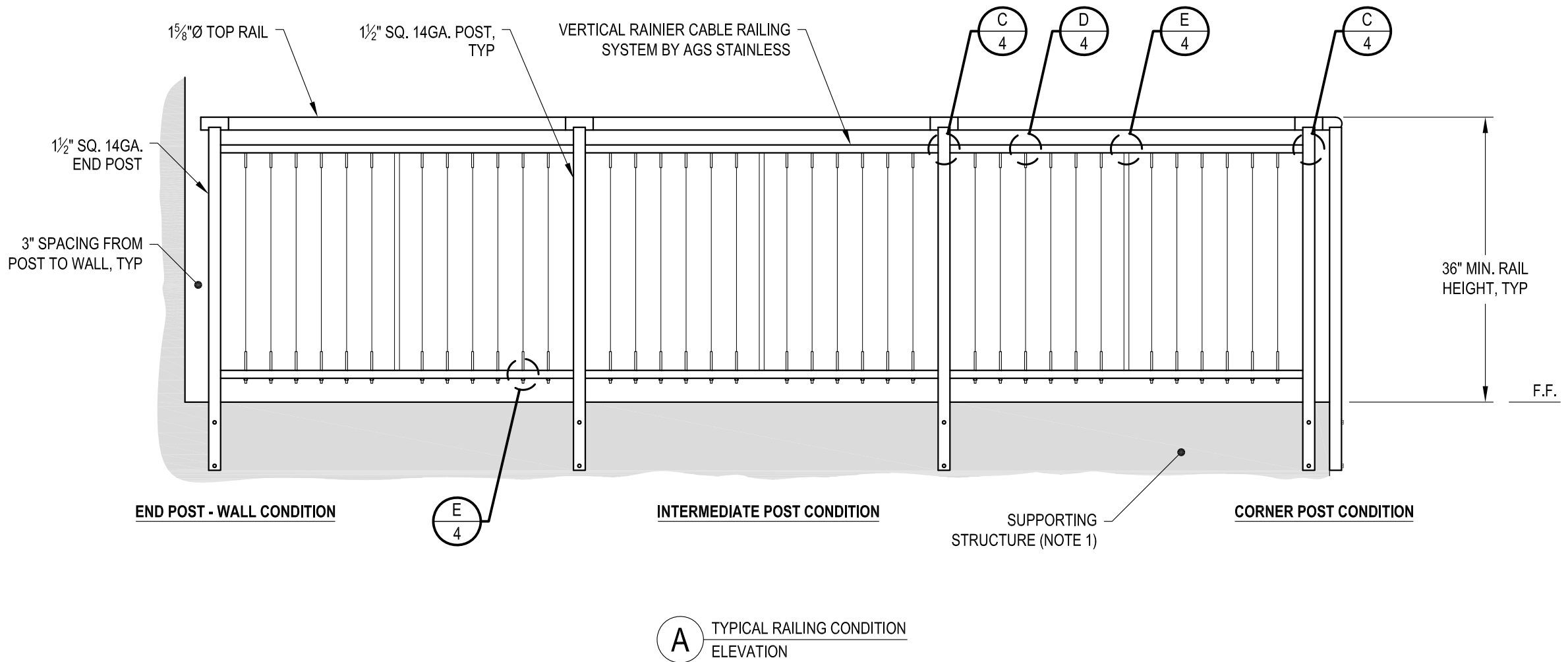
VERTICAL RAINIER SPECIFICATION DRAWING
** RESIDENTIAL **
36" SIDE MOUNT - ROUND TOP

7873 NE DAY ROAD
BAINBRIDGE ISLAND, WA 98110
PHONE - (888) 842-9492
FAX - (206) 842-8779
WWW.AGSSTAINLESS.COM



NOTES:

- DECK STRUCTURE CAN VARY GREATLY. IT IS THE RESPONSIBILITY OF THE CUSTOMER TO VERIFY THAT THE SUPPORTING STRUCTURE IS ADEQUATE TO MEET THE LOAD REQUIREMENTS OF THE GOVERNING BUILDING CODE(S). *AGS Stainless Inc.* RECOMMENDS CONSULTING A DESIGN OR CONSTRUCTION PROFESSIONAL TO ADDRESS THESE ISSUES.

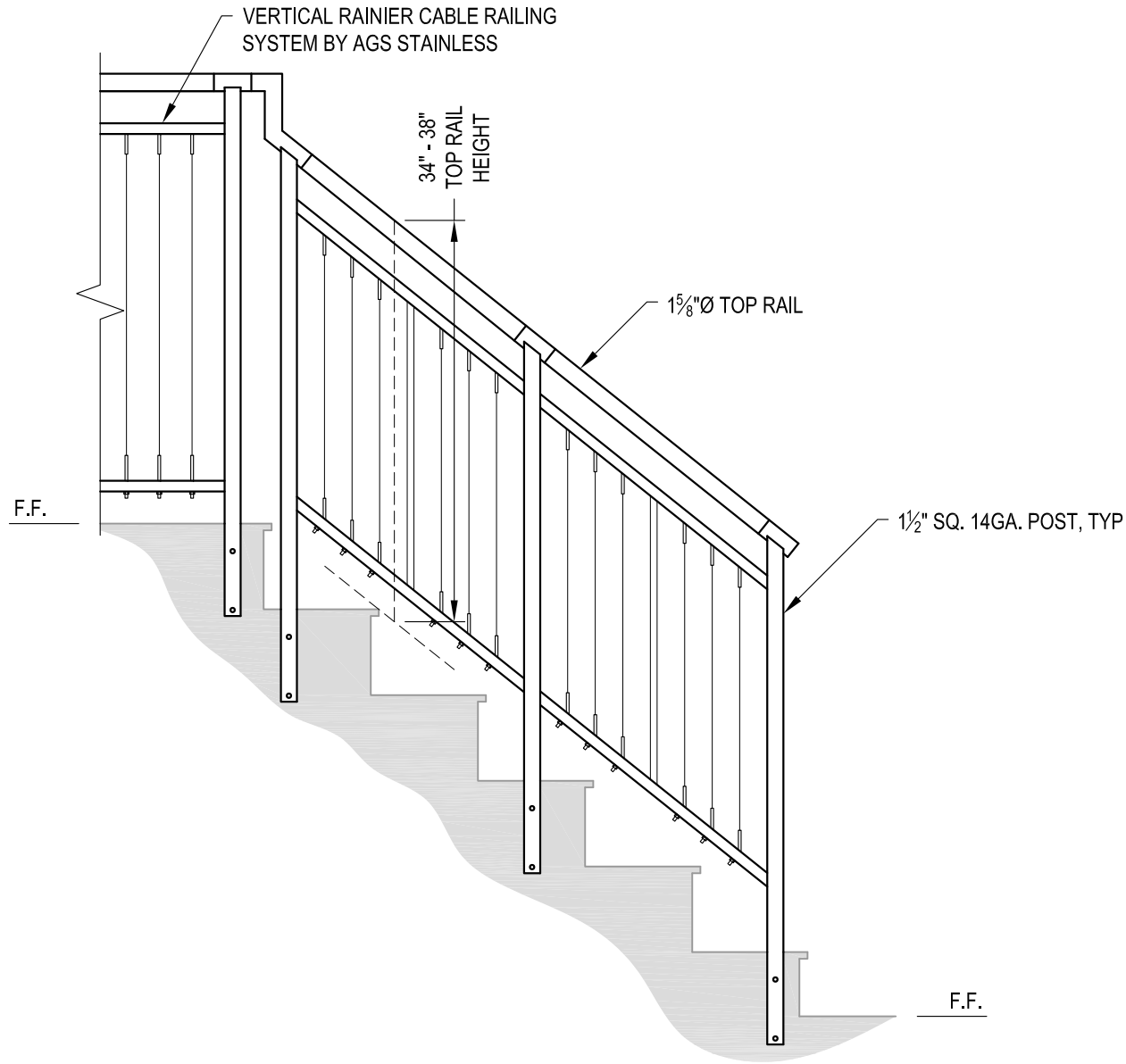


DATE	2024	SHEET	2 OF 4
SCALE	NONE	DESIGNER	AGS
DRAWN BY: RAINIER SM36R			

VERTICAL RAINIER SPECIFICATION DRAWING
 ** RESIDENTIAL **
 36" SIDE MOUNT - ROUND TOP

7873 NE DAY ROAD
 BAINBRIDGE ISLAND, WA 98110
 PHONE - (888) 842-9492
 FAX - (206) 842-8179
 WWW.AGSSTAINLESS.COM





A STAIR
ELEVATION

NOTES:

1. STAIR CONSTRUCTION VARIES GREATLY. AS-BUILT CONDITIONS MAY ALTER RAILING DESIGN, INCLUDING POST LOCATION & MOUNTING, INFILL SPACING & TOP RAIL LAYOUT.

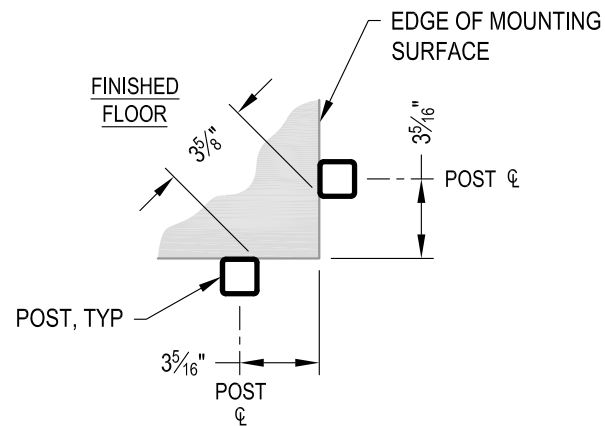
AGS Stainless Clearview® Railing Systems are designed to meet the requirements of the latest edition of the IRC/IBC.

DATE	2024
DESIGNER	AGS
SCALE	NONE
SHEET	3 OF 4

VERTICAL RAINIER SPECIFICATION DRAWING
 ** RESIDENTIAL **
 36" SIDE MOUNT - ROUND TOP

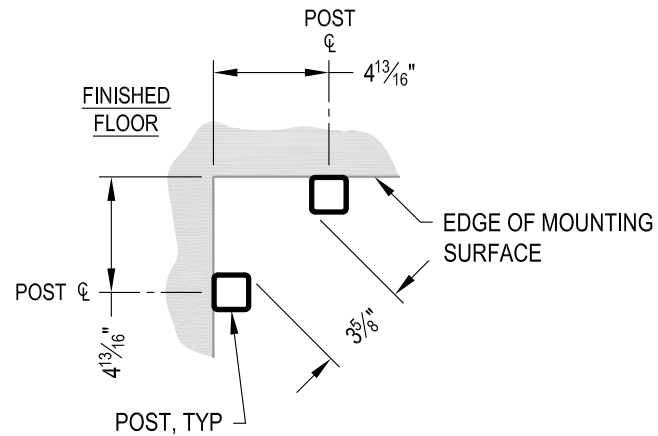
7873 ME DAY ROAD
 BAINBRIDGE ISLAND, WA 98110
 PHONE - (888) 842-9492
 FAX - (206) 842-8179
 WWW.AGSSTAINLESS.COM





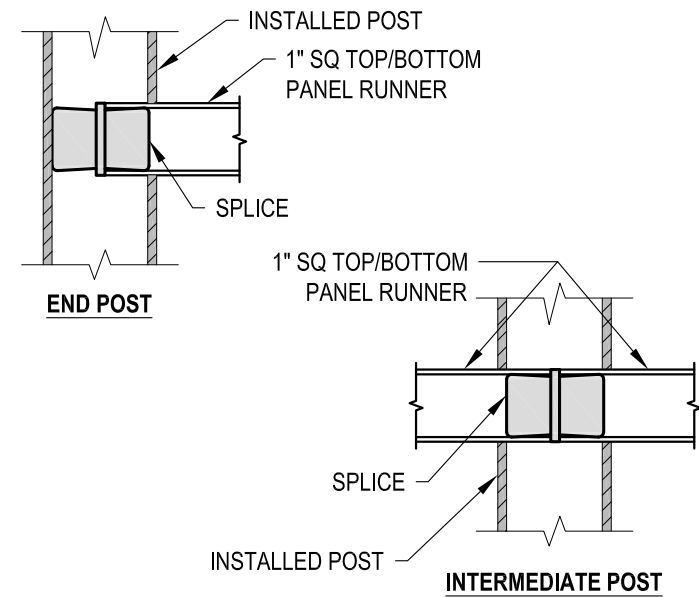
NOTE: 90° SHOWN, OTHER ANGLES SIMILAR

A TYPICAL 90° SIDE MOUNT OUTSIDE CORNER
DETAIL

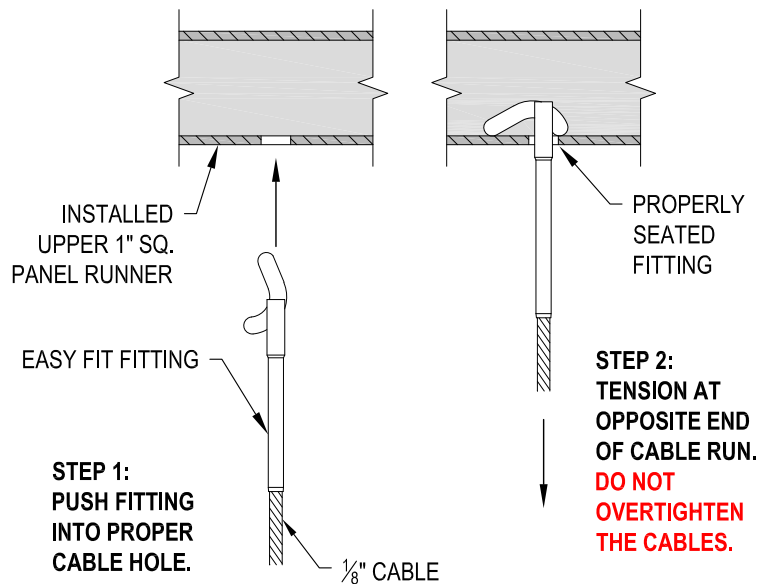


NOTE: 90° SHOWN, OTHER ANGLES SIMILAR

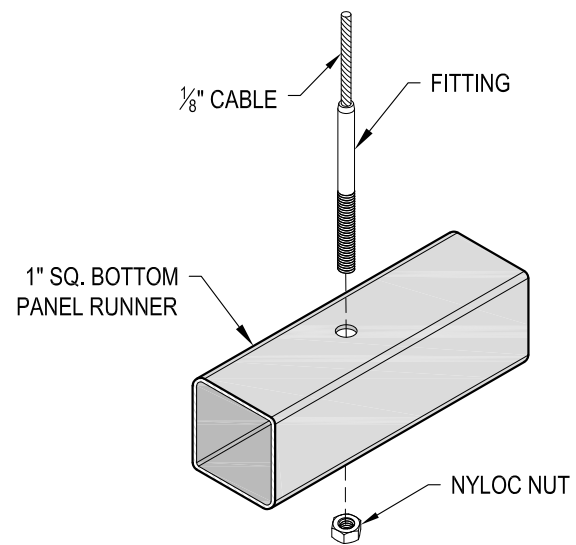
B TYPICAL 90° SIDE MOUNT INSIDE CORNER
DETAIL



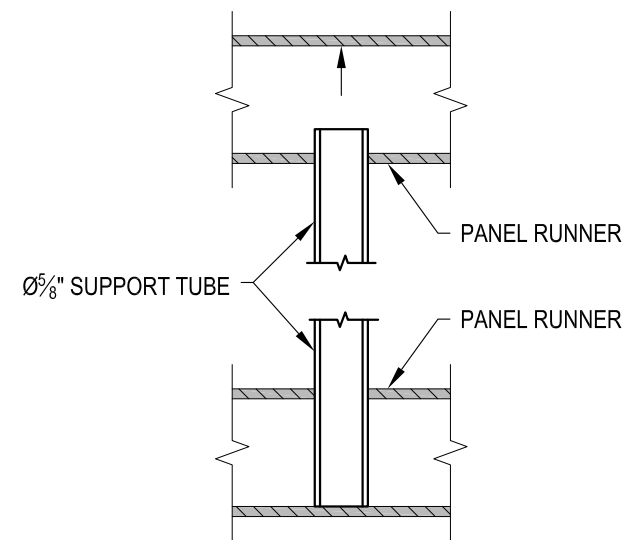
C FITTING INSTALLATION - VERTICAL PANEL RAIL SPLICE
DETAIL



D FITTING INSTALLATION - EASY FIT
DETAIL



E FITTING INSTALLATION - STANDARD
DETAIL



F PANEL SUPPORT TUBE INSTALLATION
DETAIL