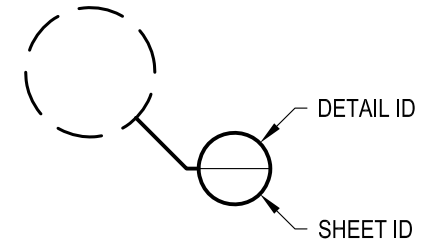


1 EXAMPLE POST LAYOUT
PLAN VIEW

NOTES:

1. TOP RAIL NOT SHOWN FOR CLARITY.
2. ALL PARTS AND COMPONENTS MADE WITH 316 STAINLESS STEEL UNLESS NOTED OTHERWISE.

LEGEND



□ SIDE MOUNT POST

□ □ SIDE MOUNT DOUBLE POST

☒ CENTERLINE

F.F. FINISHED FLOOR

TYP TYPICAL CONDITION APPLIES ELSEWHERE AT SIMILAR CONDITIONS

| | |
|----------|---------------|
| OWNER | RAINIER SM42F |
| SCALE | NONE |
| DATE | 2024 |
| DESIGNER | AGS |
| SHEET | 1 OF 4 |

VERTICAL RAINIER SPECIFICATION DRAWING
** RESIDENTIAL **

42" SIDE MOUNT - FLAT TOP

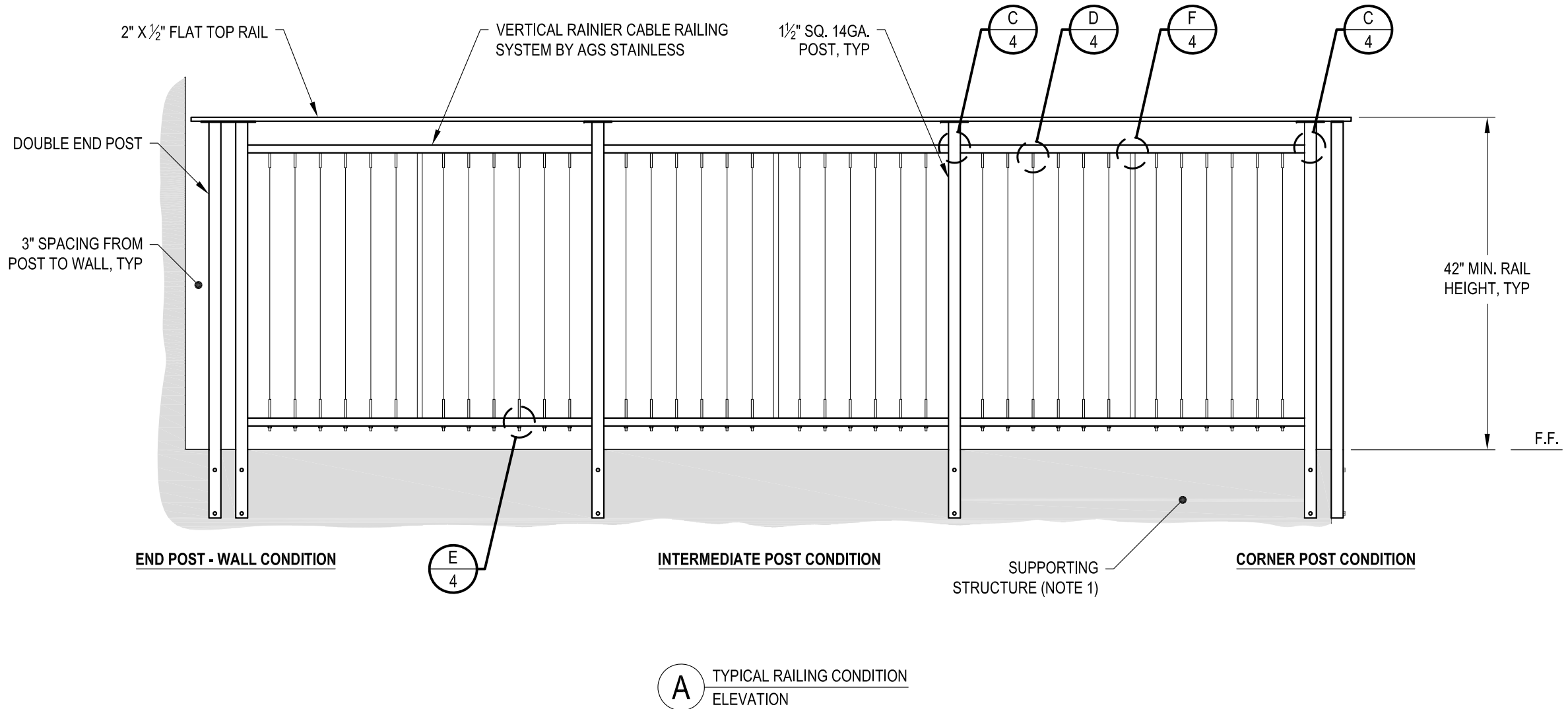
7873 NE DAY ROAD
BAINBRIDGE ISLAND, WA 98110

PHONE - (888) 842-9492
FAX - (206) 842-8779
WWW.AGSSTAINLESS.COM



NOTES:

1. DECK STRUCTURE CAN VARY GREATLY. IT IS THE RESPONSIBILITY OF THE CUSTOMER TO VERIFY THAT THE SUPPORTING STRUCTURE IS ADEQUATE TO MEET THE LOAD REQUIREMENTS OF THE GOVERNING BUILDING CODE(S). *AGS Stainless Inc.* RECOMMENDS CONSULTING A DESIGN OR CONSTRUCTION PROFESSIONAL TO ADDRESS THESE ISSUES.



AGS Stainless Clearview® Railing Systems are designed to meet the requirements of the latest edition of the IRC/IBC.

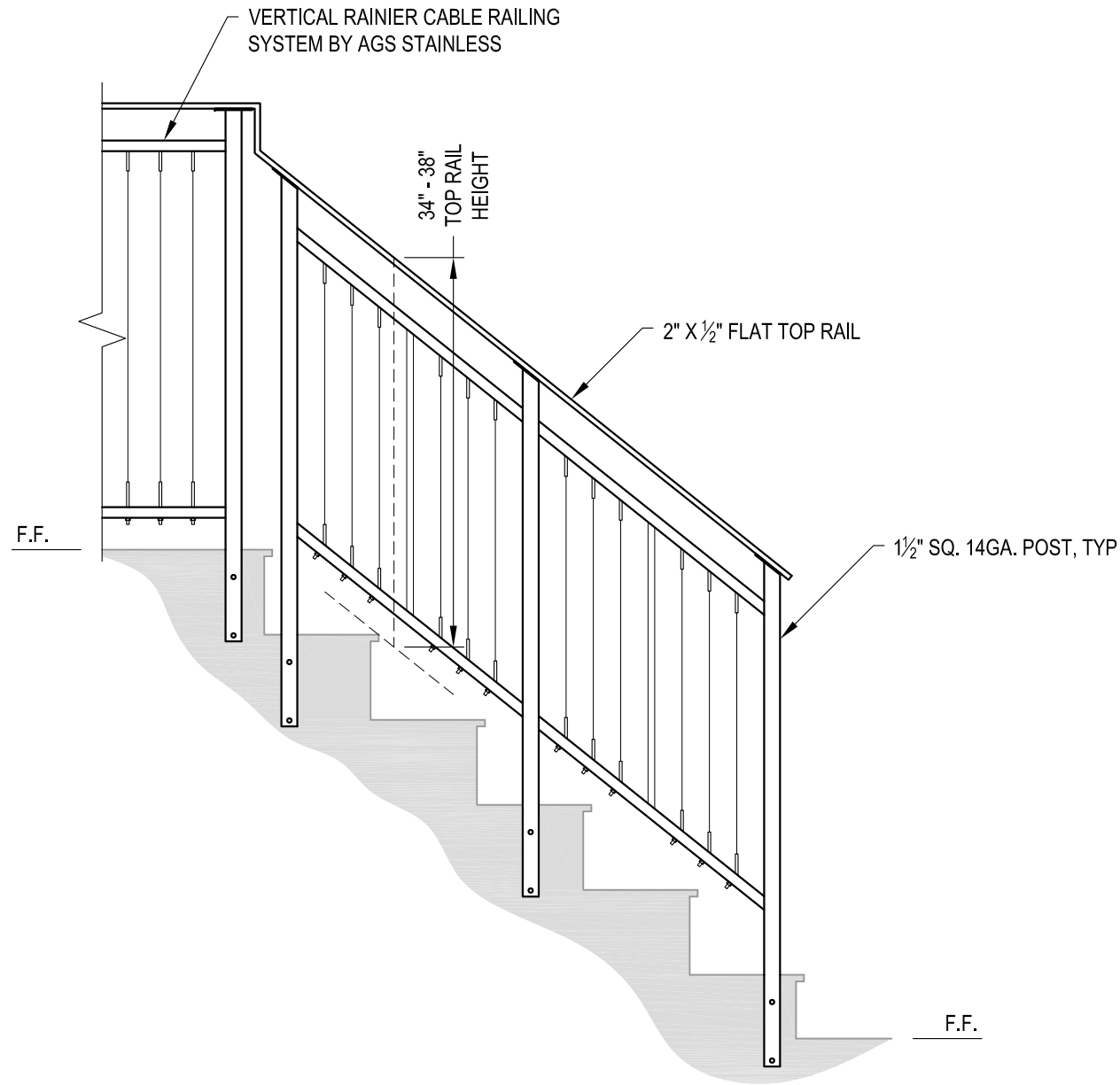
VERTICAL RAINIER SPECIFICATION DRAWING
 ** RESIDENTIAL **

42" SIDE MOUNT - FLAT TOP

7873 NE DAY ROAD
 BAINBRIDGE ISLAND, WA 98110
 PHONE - (888) 842-9492
 FAX - (206) 842-8179
 WWW.AGSSTAINLESS.COM



| | |
|----------|--------|
| DATE | 2024 |
| SCALE | NONE |
| DESIGNER | AGS |
| SHEET | 2 OF 4 |



A STAIR
ELEVATION

NOTES:

1. STAIR CONSTRUCTION VARIES GREATLY. AS-BUILT CONDITIONS MAY ALTER RAILING DESIGN, INCLUDING POST LOCATION & MOUNTING, INFILL SPACING & TOP RAIL LAYOUT.

AGS Stainless Clearview® Railing Systems are designed to meet the requirements of the latest edition of the IRC/IBC.

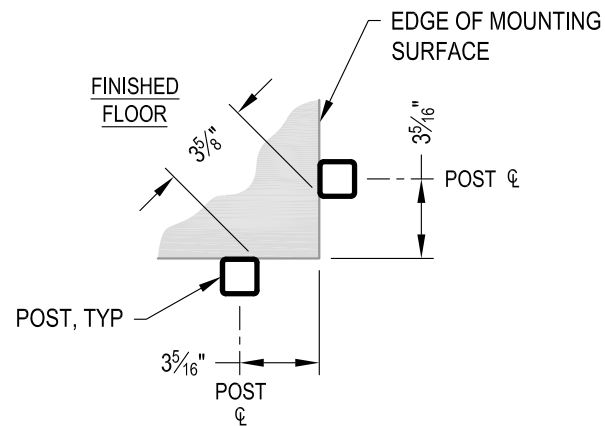
| | |
|----------|---------------|
| OWNER | RAINIER SM42F |
| SCALE | NONE |
| DESIGNER | AGS |
| DATE | 2024 |
| SHEET | 3 OF 4 |

VERTICAL RAINIER SPECIFICATION DRAWING
** RESIDENTIAL **

42" SIDE MOUNT - FLAT TOP

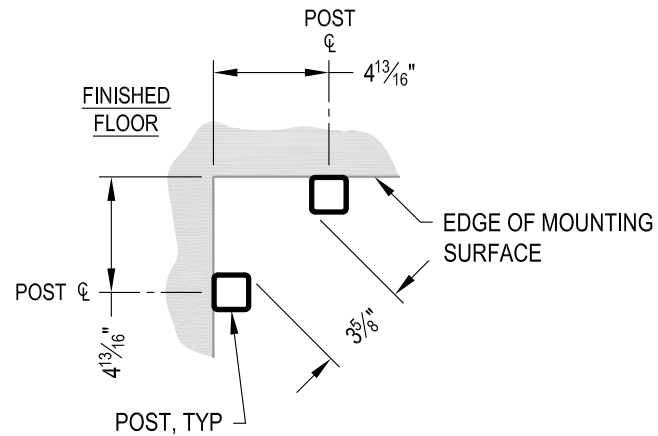
7873 MEADY ROAD
BAINBRIDGE ISLAND, WA 98110
PHONE - (888) 842-9492
FAX - (206) 842-8179
WWW.AGSSTAINLESS.COM





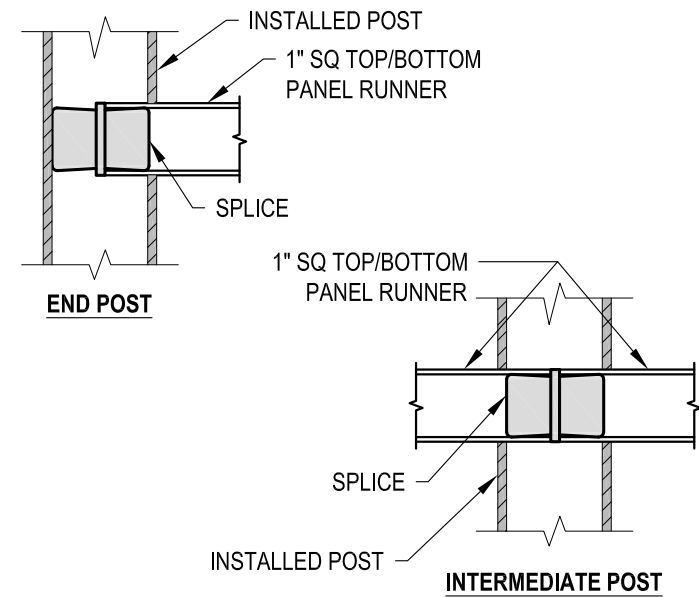
NOTE: 90° SHOWN, OTHER ANGLES SIMILAR

A TYPICAL 90° SIDE MOUNT OUTSIDE CORNER
DETAIL

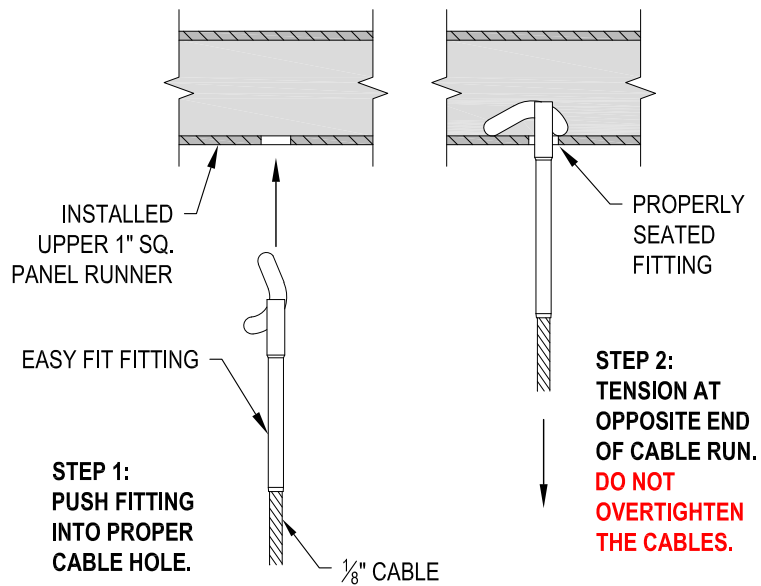


NOTE: 90° SHOWN, OTHER ANGLES SIMILAR

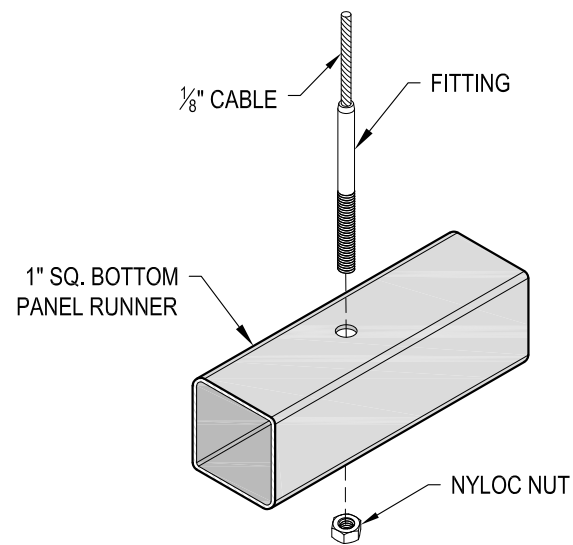
B TYPICAL 90° SIDE MOUNT INSIDE CORNER
DETAIL



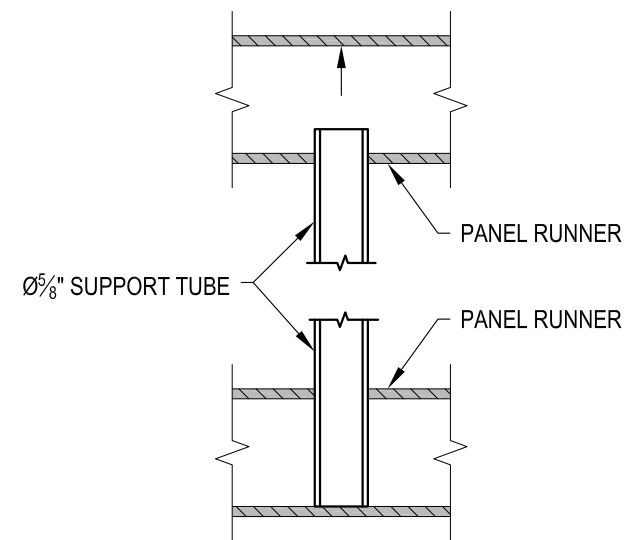
C FITTING INSTALLATION - VERTICAL PANEL RAIL SPLICE
DETAIL



D FITTING INSTALLATION - EASY FIT
DETAIL



E FITTING INSTALLATION - STANDARD
DETAIL



F PANEL SUPPORT TUBE INSTALLATION
DETAIL