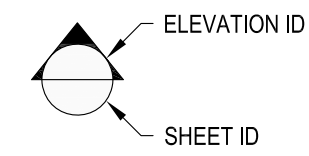
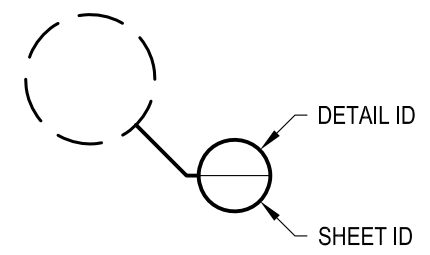


1 EXAMPLE POST LAYOUT
PLAN VIEW

NOTES:

1. TOP RAIL NOT SHOWN FOR CLARITY.
2. ALL PARTS AND COMPONENTS MADE WITH 316 STAINLESS STEEL UNLESS NOTED OTHERWISE.

LEGEND



□ SIDE MOUNT POST

□ □ SIDE MOUNT DOUBLE POST

☒ CENTERLINE

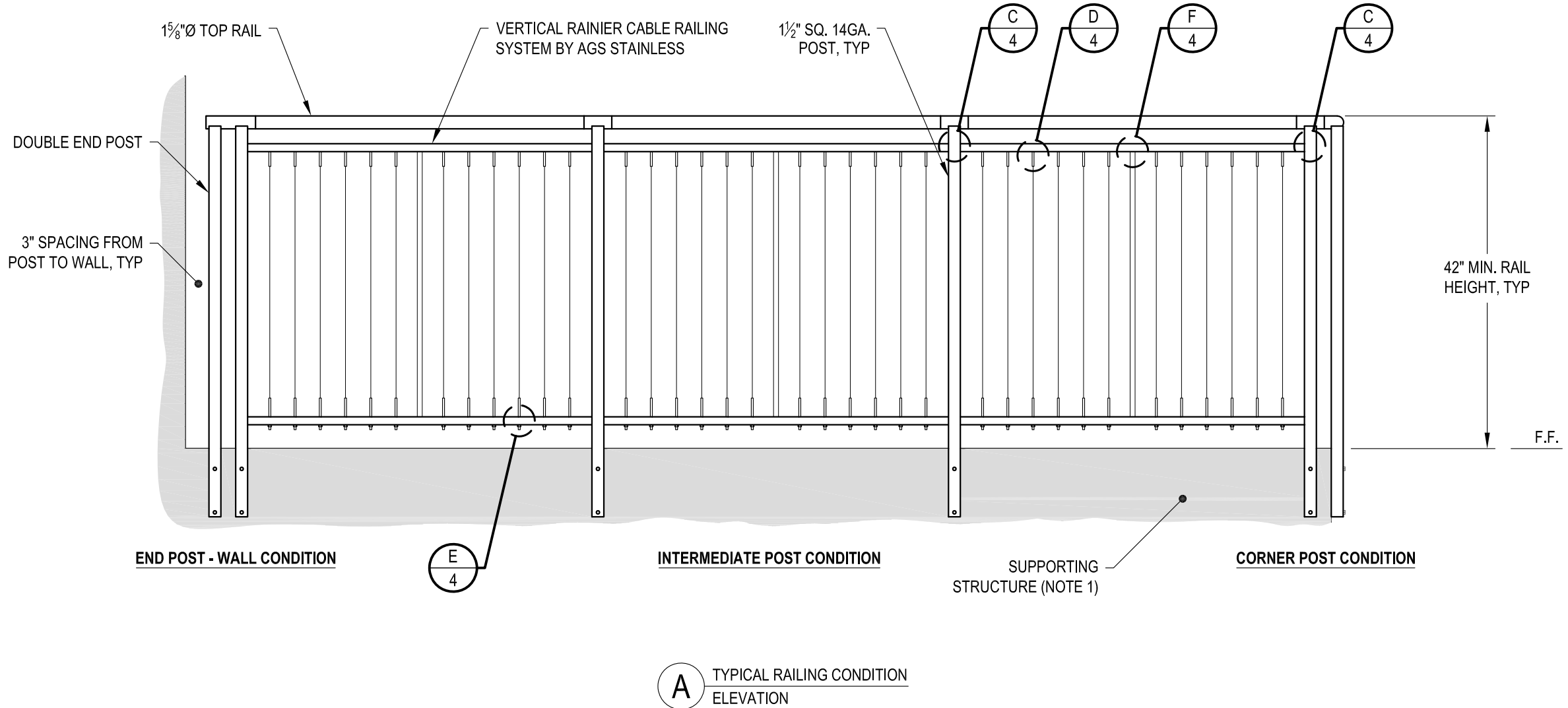
F.F. FINISHED FLOOR

TYP TYPICAL CONDITION APPLIES ELSEWHERE AT SIMILAR CONDITIONS

RAINIER SM42R	DATE 2024	SHEET 1 OF 4
	SCALE NONE	
DESIGNER AGS		
VERTICAL RAINIER SPECIFICATION DRAWING		
** RESIDENTIAL **		
42" SIDE MOUNT - ROUND TOP		
7873 NE DAY ROAD BAINBRIDGE ISLAND, WA 98110 PHONE - (888) 842-9492 FAX - (206) 842-8779 WWW.AGSSTAINLESS.COM		

NOTES:

1. DECK STRUCTURE CAN VARY GREATLY. IT IS THE RESPONSIBILITY OF THE CUSTOMER TO VERIFY THAT THE SUPPORTING STRUCTURE IS ADEQUATE TO MEET THE LOAD REQUIREMENTS OF THE GOVERNING BUILDING CODE(S). *AGS Stainless Inc.* RECOMMENDS CONSULTING A DESIGN OR CONSTRUCTION PROFESSIONAL TO ADDRESS THESE ISSUES.

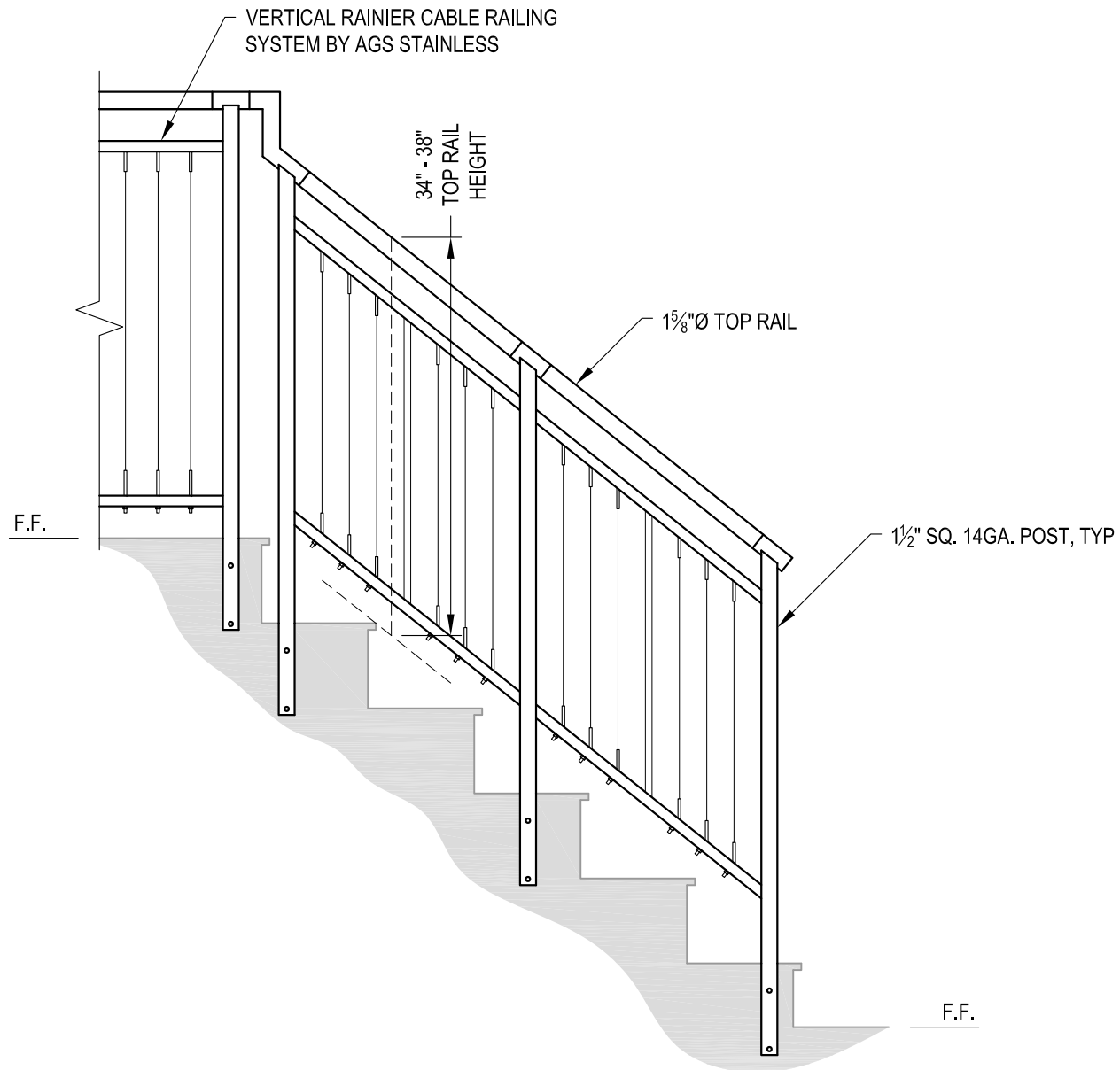


DWS*	RAINIER SM42R	DATE	2024
	SCALE	NONE	SHEET
		DESIGNER	AGS
		2 OF 4	

VERTICAL RAINIER SPECIFICATION DRAWING
 ** RESIDENTIAL **
 42" SIDE MOUNT - ROUND TOP

7873 NE DAY ROAD
 BAINBRIDGE ISLAND, WA 98110
 PHONE - (888) 842-9492
 FAX - (206) 842-8179
 WWW.AGSSTAINLESS.COM

AGS stainless
 CLEARVIEW® Railing Systems



A STAIR
ELEVATION

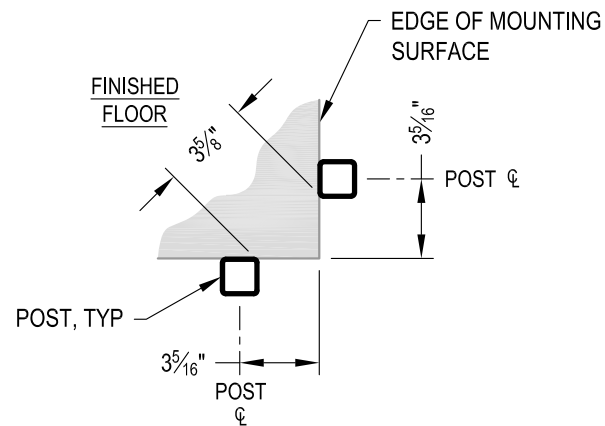
NOTES:

1. STAIR CONSTRUCTION VARIES GREATLY. AS-BUILT CONDITIONS MAY ALTER RAILING DESIGN, INCLUDING POST LOCATION & MOUNTING, INFILL SPACING & TOP RAIL LAYOUT.

AGS Stainless Clearview® Railing Systems are designed to meet the requirements of the latest edition of the IRC/IBC.

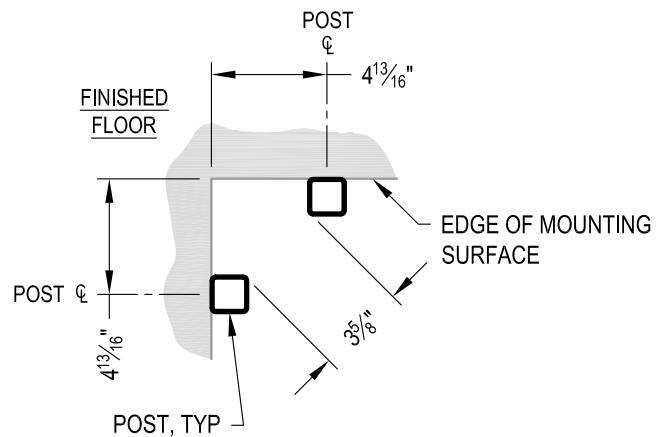
7873 ME DAY ROAD BAINBRIDGE ISLAND, WA 98110 PHONE - (888) 842-9492 FAX - (206) 842-8179 WWW.AGSSTAINLESS.COM	RAINIER SM42R	2024	3 OF 4
	VERTICAL RAINIER SPECIFICATION DRAWING ** RESIDENTIAL ** 42" SIDE MOUNT - ROUND TOP	AGS	NONE





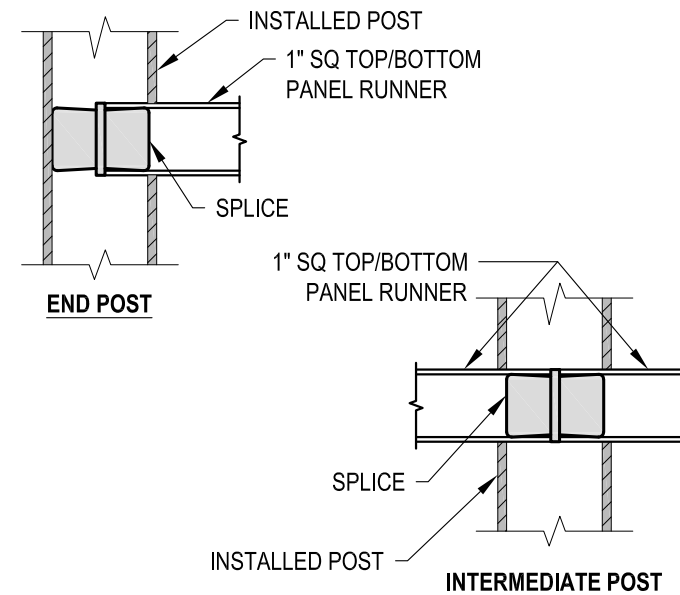
NOTE: 90° SHOWN, OTHER ANGLES SIMILAR

A TYPICAL 90° SIDE MOUNT OUTSIDE CORNER
DETAIL

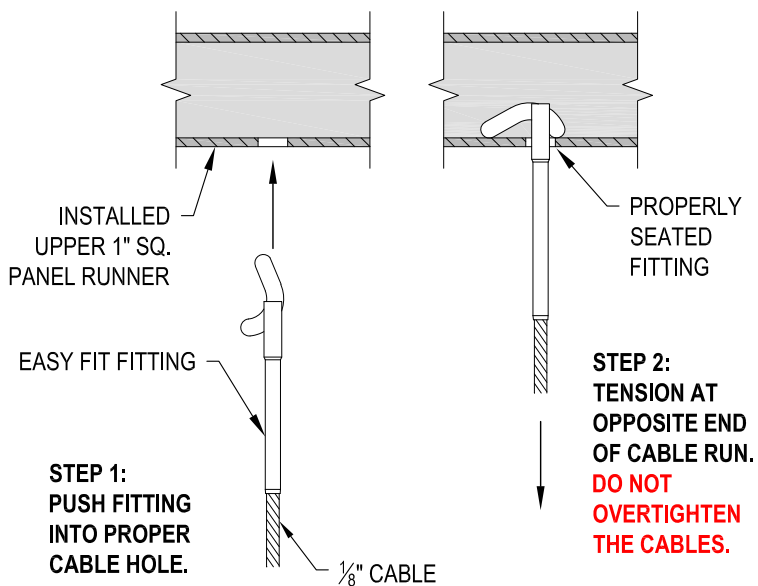


NOTE: 90° SHOWN, OTHER ANGLES SIMILAR

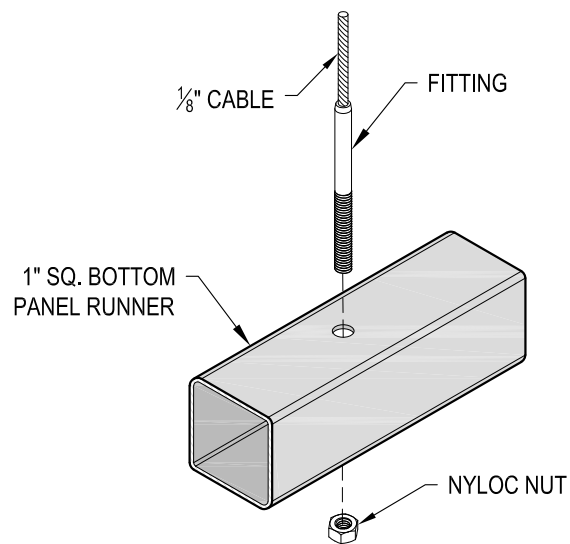
B TYPICAL 90° SIDE MOUNT INSIDE CORNER
DETAIL



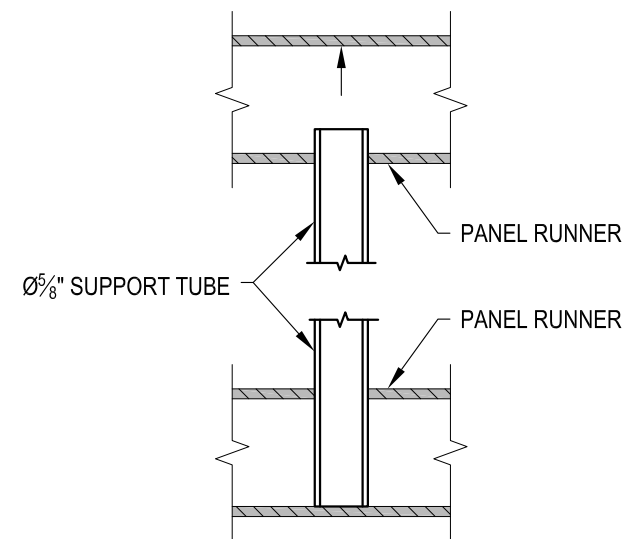
C FITTING INSTALLATION - VERTICAL PANEL RAIL SPLICE
DETAIL



D FITTING INSTALLATION - EASY FIT
DETAIL



E FITTING INSTALLATION - STANDARD
DETAIL



F PANEL SUPPORT TUBE INSTALLATION
DETAIL

DWS# RAINIER SM42R	DATE 2024	SHEET 4 OF 4
	SCALE NONE	DESIGNER AGS
VERTICAL RAINIER SPECIFICATION DRAWING ** RESIDENTIAL **		
42" SIDE MOUNT - ROUND TOP		
7873 NE DAY ROAD BAINBRIDGE ISLAND, WA 98110 PHONE - (888) 842-9492 FAX - (206) 842-8179 WWW.AGSSTAINLESS.COM		
 CLEARVIEW® Railing Systems		