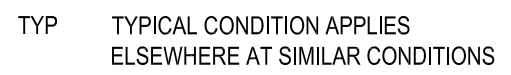
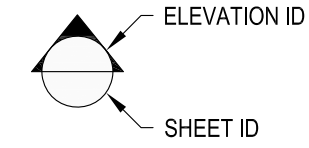
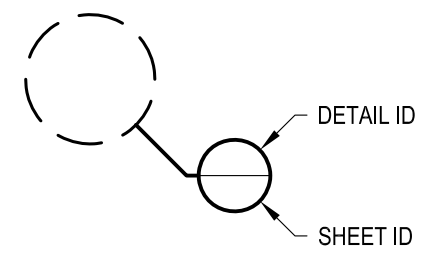


1 EXAMPLE POST LAYOUT  
PLAN VIEW

NOTES:

1. TOP RAIL NOT SHOWN FOR CLARITY.
2. ALL PARTS AND COMPONENTS MADE WITH 316 STAINLESS STEEL UNLESS NOTED OTHERWISE.

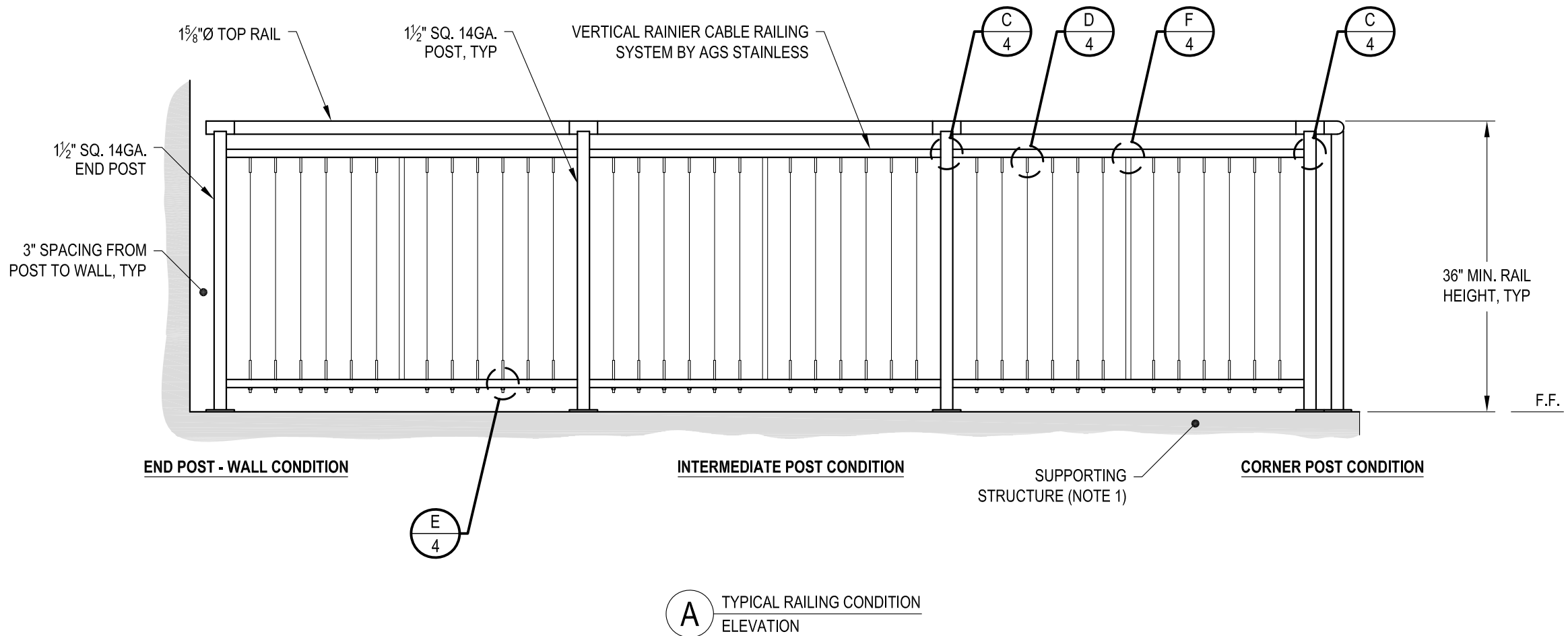
LEGEND



7873 NE DAY ROAD BAINBRIDGE ISLAND, WA 98110 PHONE - (888) 842-9492 FAX - (206) 842-8779 WWW.AGSSTAINLESS.COM	RAINIER TM36R	DATE 2024	SHEET 1 OF 4
	VERTICAL RAINIER SPECIFICATION DRAWING ** RESIDENTIAL **	SCALE NONE	DESIGNER AGS

**NOTES:**

1. DECK STRUCTURE CAN VARY GREATLY. IT IS THE RESPONSIBILITY OF THE CUSTOMER TO VERIFY THAT THE SUPPORTING STRUCTURE IS ADEQUATE TO MEET THE LOAD REQUIREMENTS OF THE GOVERNING BUILDING CODE(S). *AGS Stainless Inc.* RECOMMENDS CONSULTING A DESIGN OR CONSTRUCTION PROFESSIONAL TO ADDRESS THESE ISSUES.



AGS Stainless Clearview® Railing Systems are designed to meet the requirements of the latest edition of the IRC/IBC.

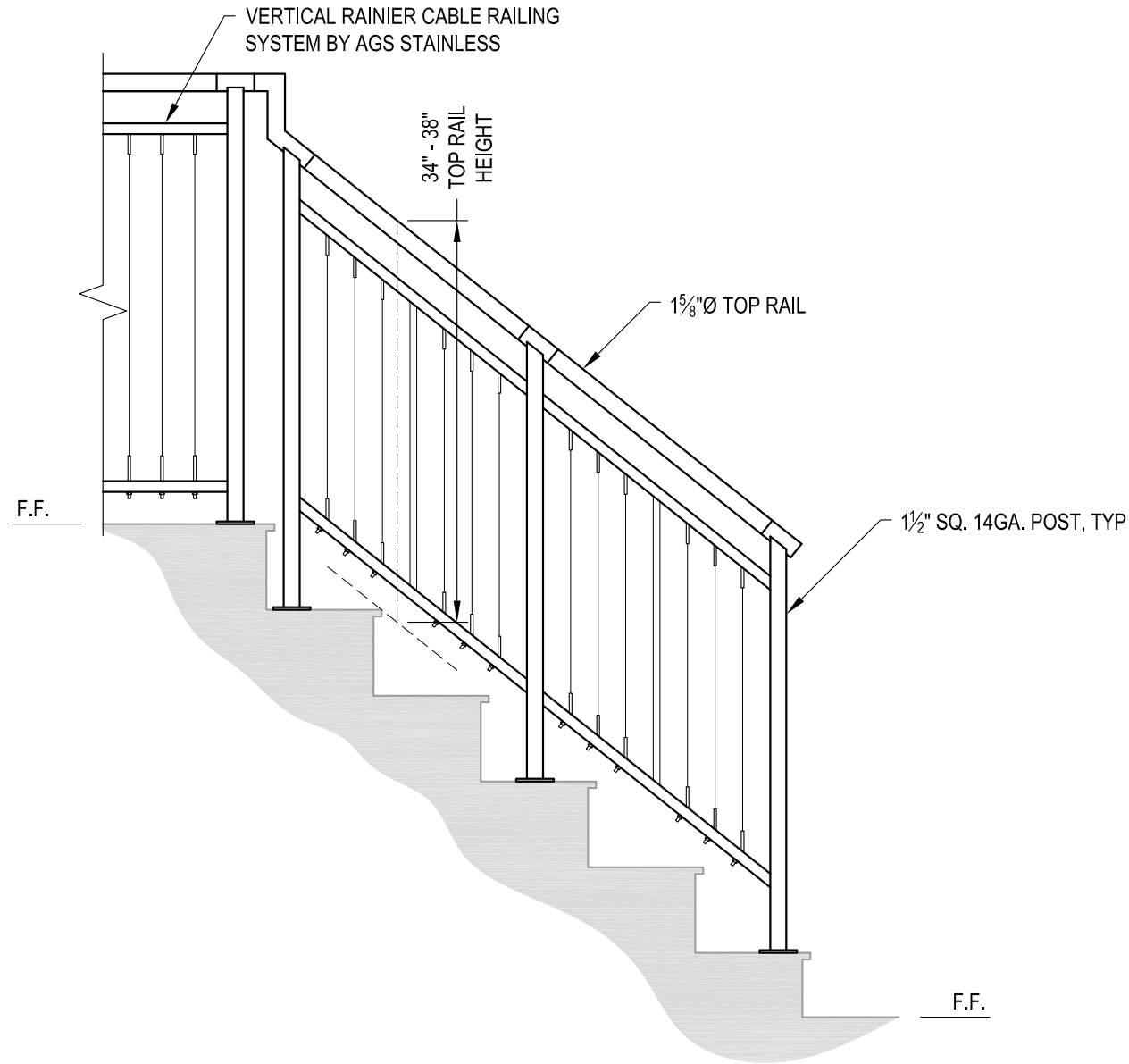
VERTICAL RAINIER SPECIFICATION DRAWING  
 \*\* RESIDENTIAL \*\*

36" TOP MOUNT - ROUND TOP

7873 NE DAY ROAD  
 BAINBRIDGE ISLAND, WA 98110  
 PHONE - (888) 842-9492  
 FAX - (206) 842-8179  
 WWW.AGSSTAINLESS.COM



OWNER: RAINIER TM36R  
 SCALE: NONE  
 DESIGNER: AGS  
 DATE: 2024  
 SHEET: 2 OF 4



**A** STAIR  
ELEVATION

**NOTES:**

1. STAIR CONSTRUCTION VARIES GREATLY. AS-BUILT CONDITIONS MAY ALTER RAILING DESIGN, INCLUDING POST LOCATION & MOUNTING, INFILL SPACING & TOP RAIL LAYOUT.

AGS Stainless Clearview® Railing Systems are designed to meet the requirements of the latest edition of the IRC/IBC.

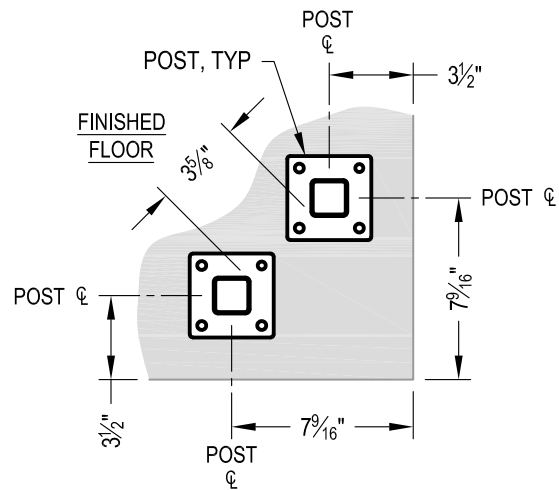
DWS*	RAINIER TM36R	2024
	SCALE NONE	DATE
	DESIGNER AGS	SHEET 3 OF 4

VERTICAL RAINIER SPECIFICATION DRAWING  
\*\* RESIDENTIAL \*\*

36" TOP MOUNT - ROUND TOP

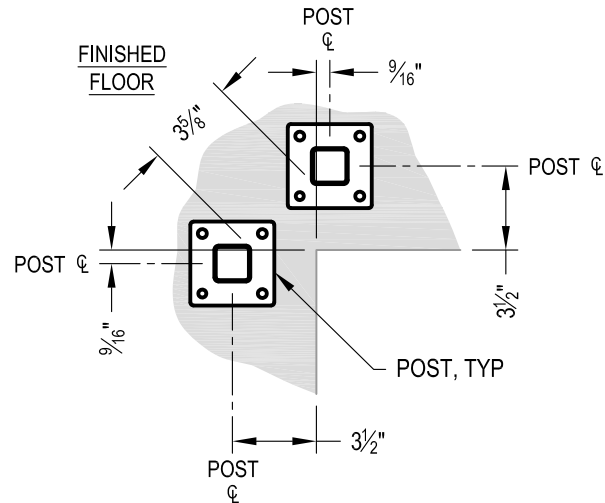
7873 ME DAY ROAD  
BAINBRIDGE ISLAND, WA 98110  
PHONE - (888) 842-9492  
FAX - (206) 842-8179  
WWW.AGSSTAINLESS.COM





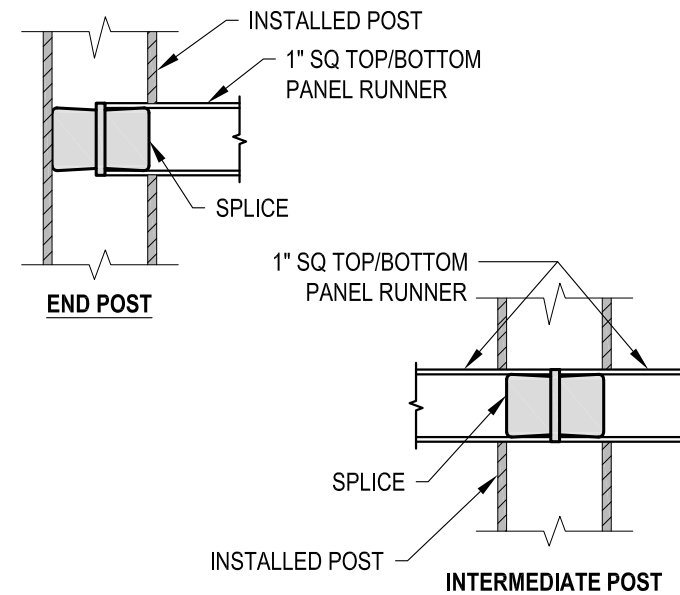
NOTE: 90° SHOWN, OTHER ANGLES SIMILAR

**A** TYPICAL 90° TOP MOUNT OUTSIDE CORNER  
DETAIL

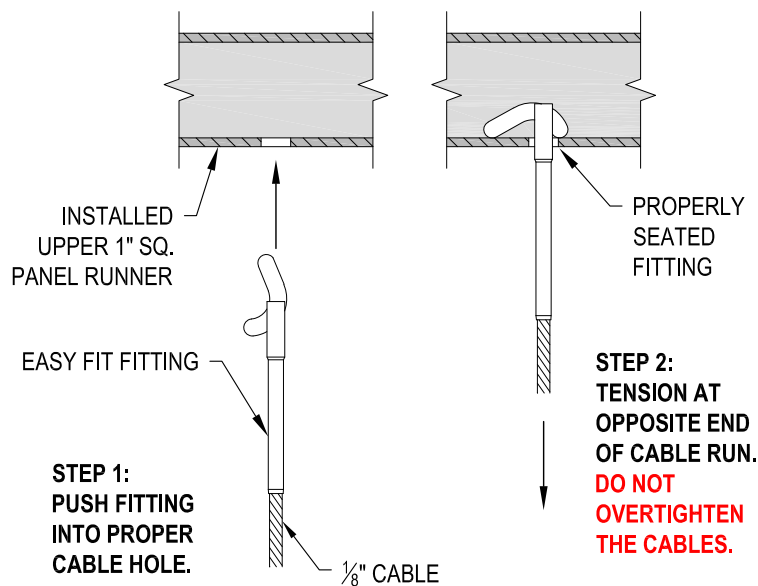


NOTE: 90° SHOWN, OTHER ANGLES SIMILAR

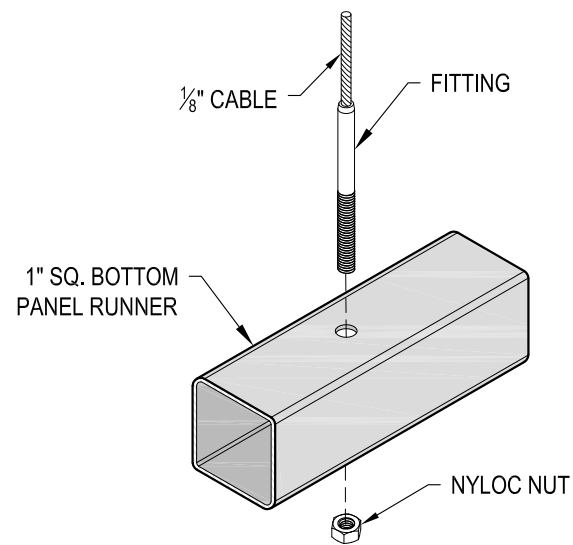
**B** TYPICAL 90° TOP MOUNT INSIDE CORNER  
DETAIL



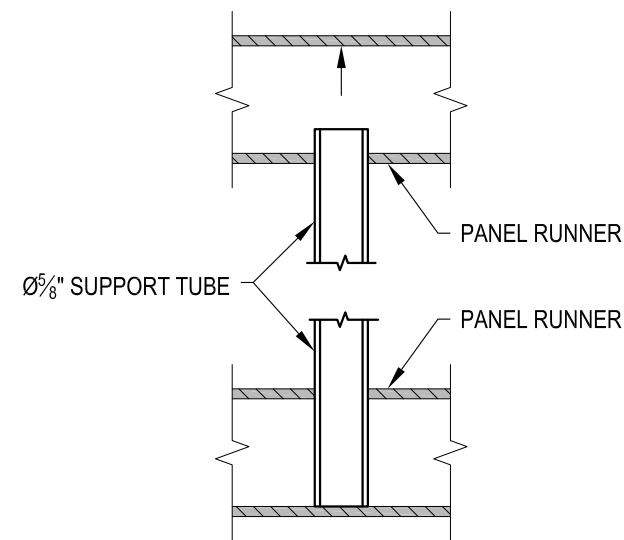
**C** FITTING INSTALLATION - VERTICAL PANEL RAIL SPLICE  
DETAIL



**D** FITTING INSTALLATION - EASY FIT  
DETAIL



**E** FITTING INSTALLATION - STANDARD  
DETAIL



**F** PANEL SUPPORT TUBE INSTALLATION  
DETAIL

AGS Stainless Clearview® Railing Systems are designed to meet the requirements of the latest edition of the IRC/IBC.

RAINIER TM36R DATE 2024 SCALE NONE SHEET 4 OF 4	VERTICAL RAINIER SPECIFICATION DRAWING ** RESIDENTIAL **	7873 NE DAY ROAD BAINBRIDGE ISLAND, WA 98110 PHONE - (888) 842-9492 FAX - (206) 842-8179 WWW.AGSSTAINLESS.COM	 CLEARVIEW® Railing Systems