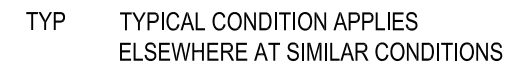
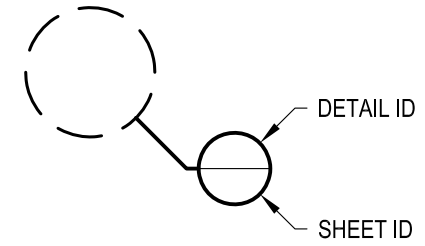


1 EXAMPLE POST LAYOUT
PLAN VIEW

NOTES:

1. TOP RAIL NOT SHOWN FOR CLARITY.
2. ALL PARTS AND COMPONENTS MADE WITH 316 STAINLESS STEEL UNLESS NOTED OTHERWISE.

LEGEND



DATE	2024
SCALE	NONE
DESIGNER	AGS
SHEET	1 OF 4

VERTICAL RAINIER SPECIFICATION DRAWING
** RESIDENTIAL **

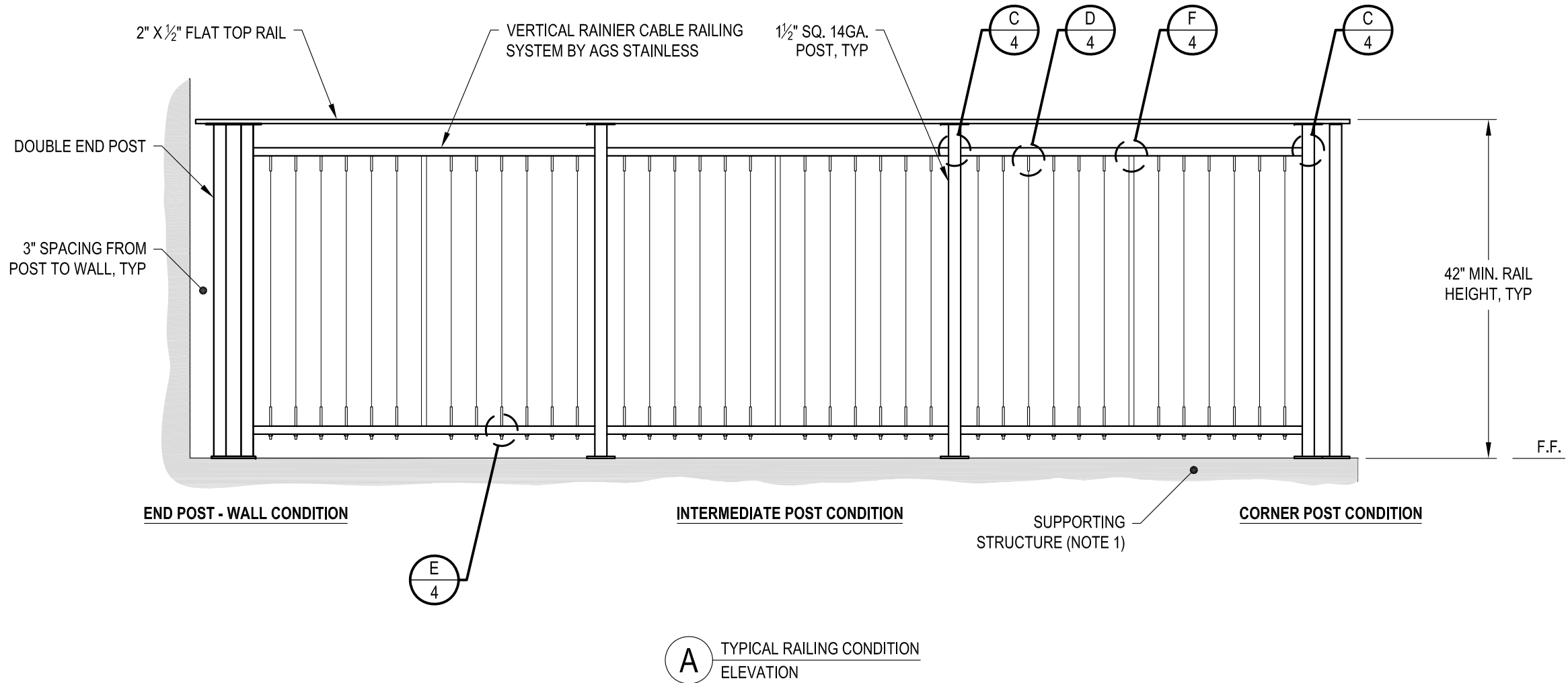
42" TOP MOUNT - FLAT TOP

7873 NE DAY ROAD
BAMBRIDGE ISLAND, WA 98110
PHONE - (888) 842-9492
FAX - (206) 842-8179
WWW.AGSSTAINLESS.COM



NOTES:

1. DECK STRUCTURE CAN VARY GREATLY. IT IS THE RESPONSIBILITY OF THE CUSTOMER TO VERIFY THAT THE SUPPORTING STRUCTURE IS ADEQUATE TO MEET THE LOAD REQUIREMENTS OF THE GOVERNING BUILDING CODE(S). AGS Stainless Inc. RECOMMENDS CONSULTING A DESIGN OR CONSTRUCTION PROFESSIONAL TO ADDRESS THESE ISSUES.

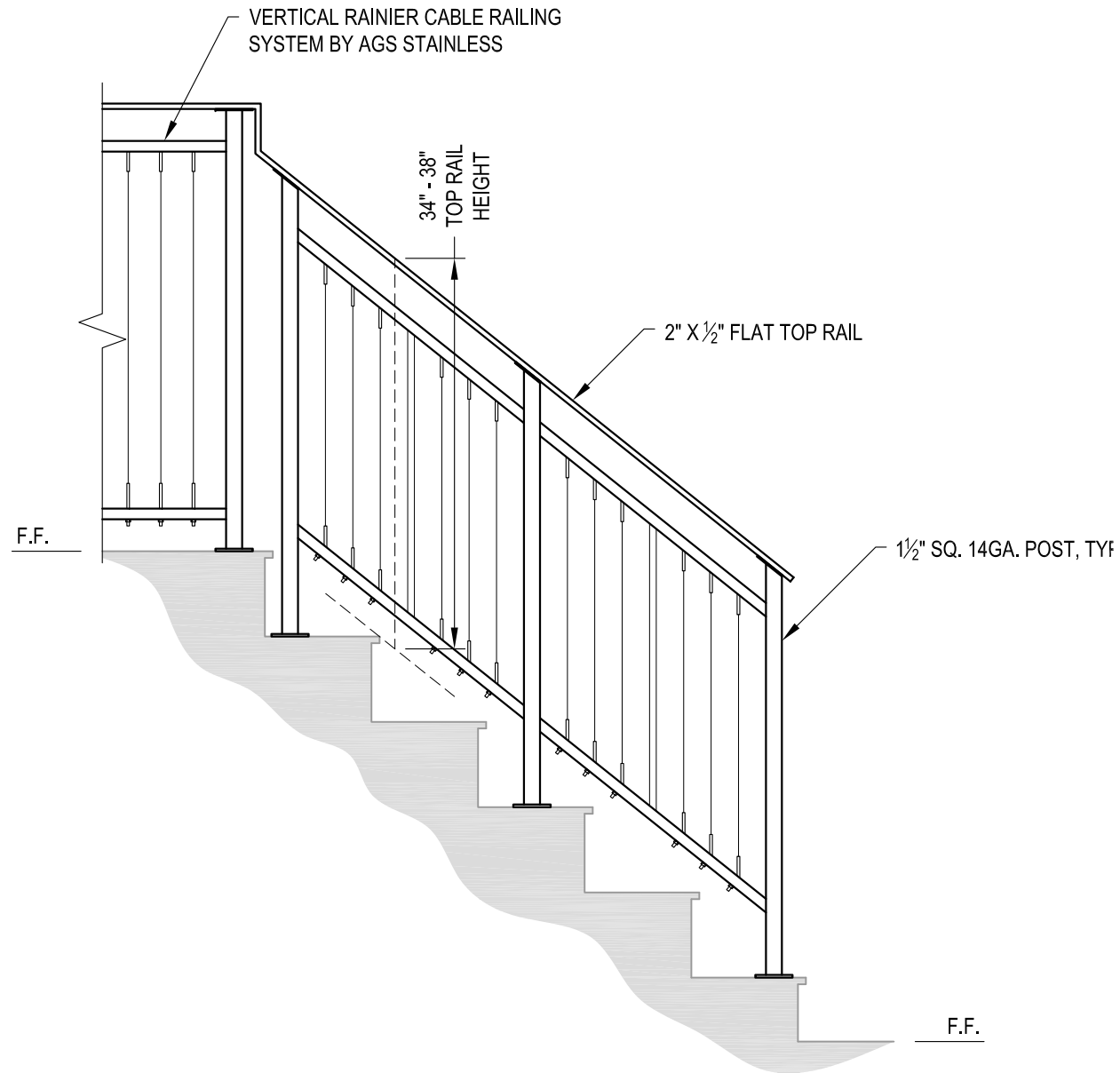


DWS*	RAINIER TM42F	DATE	2024
	SCALE	NONE	SHEET
DESIGNER		AGS	2 OF 4

VERTICAL RAINIER SPECIFICATION DRAWING
** RESIDENTIAL **
42" TOP MOUNT - FLAT TOP

7873 NE DAY ROAD
BAMBRIDGE ISLAND, WA 98110
PHONE - (888) 842-9492
FAX - (206) 842-8179
WWW.AGSSTAINLESS.COM

AGS stainless
CLEARVIEW® Railing Systems



A STAIR
ELEVATION

NOTES:

1. STAIR CONSTRUCTION VARIES GREATLY. AS-BUILT CONDITIONS MAY ALTER RAILING DESIGN, INCLUDING POST LOCATION & MOUNTING, INFILL SPACING & TOP RAIL LAYOUT.

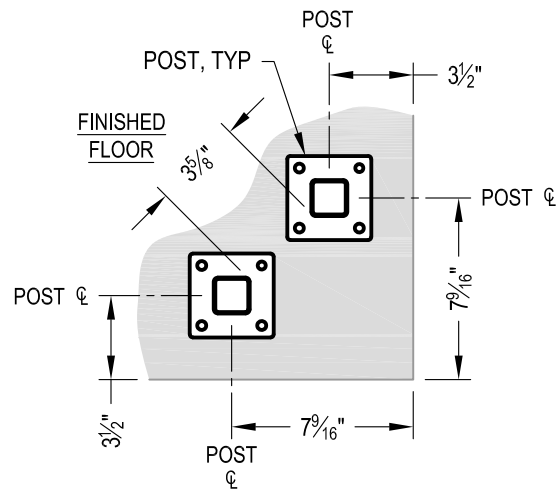
DWS*	RAINIER TM42F	2024
	SCALE NONE	DATE
	DESIGNER AGS	SHEET 3 OF 4

VERTICAL RAINIER SPECIFICATION DRAWING
** RESIDENTIAL **

42" TOP MOUNT - FLAT TOP

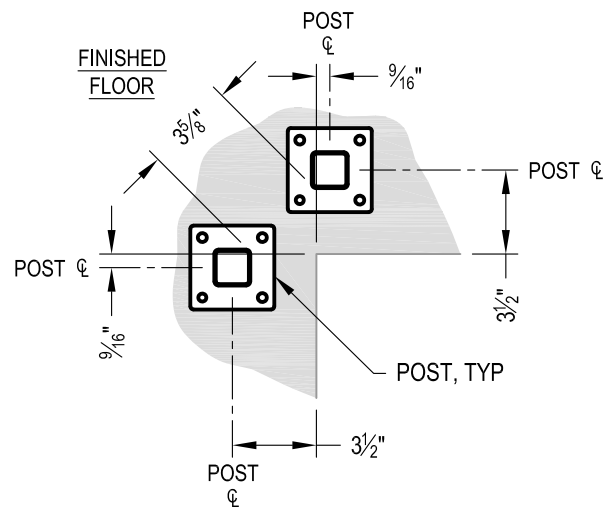
7873 ME DAY ROAD
BAINBRIDGE ISLAND, WA 98110
PHONE - (888) 842-9492
FAX - (206) 842-8179
WWW.AGSSTAINLESS.COM





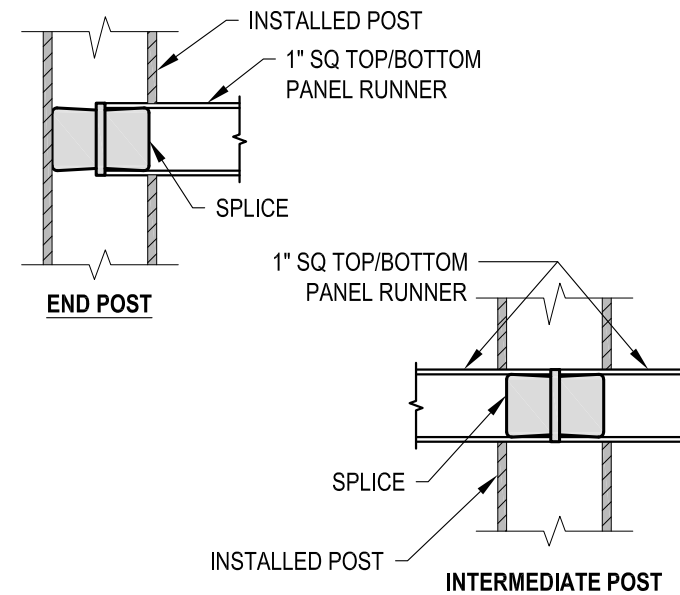
NOTE: 90° SHOWN, OTHER ANGLES SIMILAR

A TYPICAL 90° TOP MOUNT OUTSIDE CORNER
DETAIL

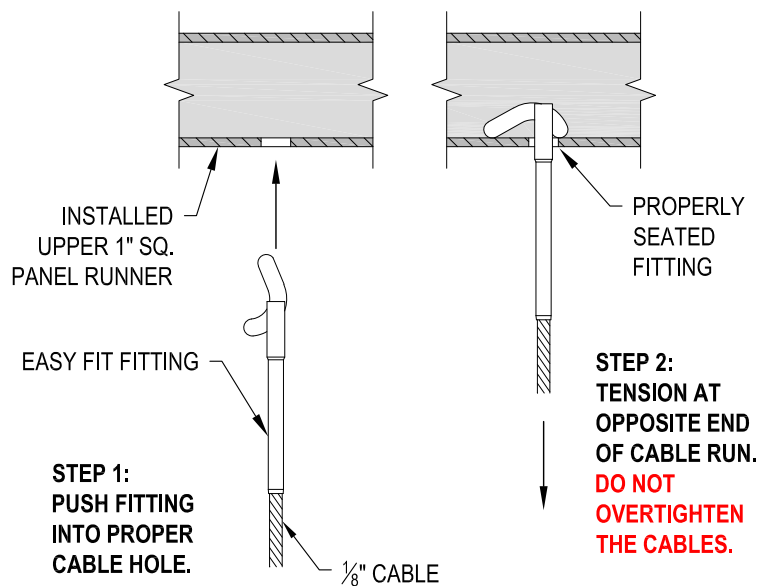


NOTE: 90° SHOWN, OTHER ANGLES SIMILAR

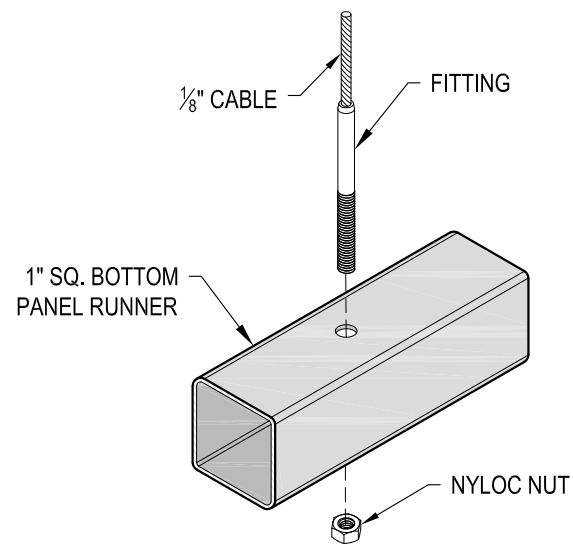
B TYPICAL 90° TOP MOUNT INSIDE CORNER
DETAIL



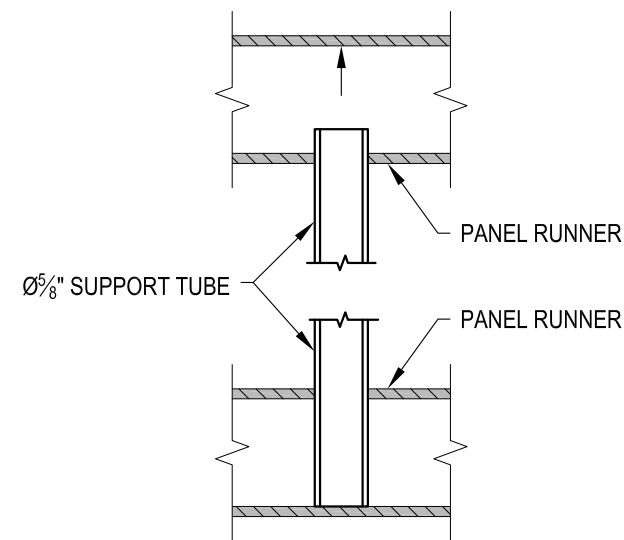
C FITTING INSTALLATION - VERTICAL PANEL RAIL SPLICE
DETAIL



D FITTING INSTALLATION - EASY FIT
DETAIL



E FITTING INSTALLATION - STANDARD
DETAIL



F PANEL SUPPORT TUBE INSTALLATION
DETAIL

AGS Stainless Clearview® Railing Systems are designed to meet the requirements of the latest edition of the IRC/IBC.

RAINIER TM42F DATE 2024 SCALE NONE SHEET 4 OF 4	VERTICAL RAINIER SPECIFICATION DRAWING ** RESIDENTIAL ** 42" TOP MOUNT - FLAT TOP	7873 NE DAY ROAD BAINBRIDGE ISLAND, WA 98110 PHONE - (888) 842-9492 FAX - (206) 842-8179 WWW.AGSSTAINLESS.COM	