

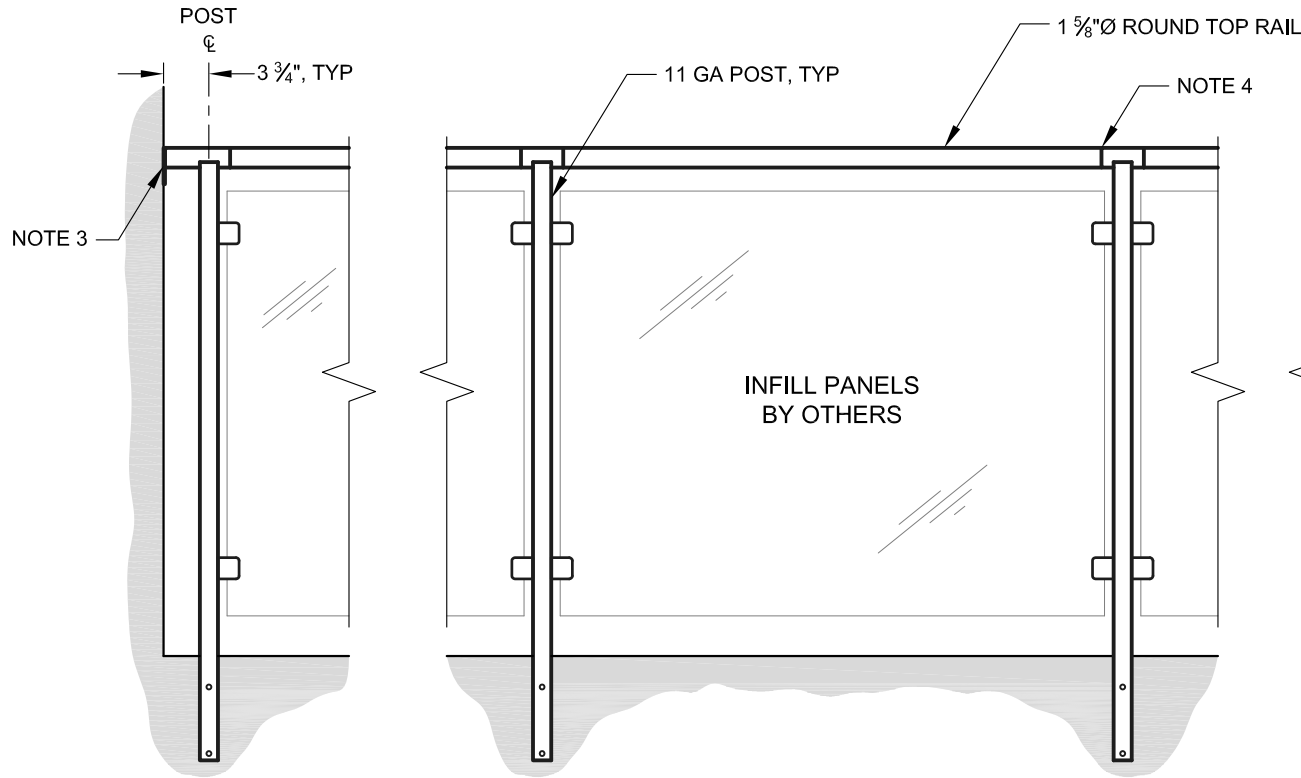
1 EXAMPLE POST LAYOUT PLAN VIEW
SCALE: NONE

LEGEND

- DETAIL NUMBER
SHEET NUMBER
- ELEVATION NUMBER
SHEET NUMBER
- SECTION NUMBER
SHEET NUMBER
- SIDE MOUNT POST
- CENTERLINE
- FINISHED FLOOR
- TYPICAL CONDITION;
APPLIES ELSEWHERE AT
SIMILAR LOCATIONS

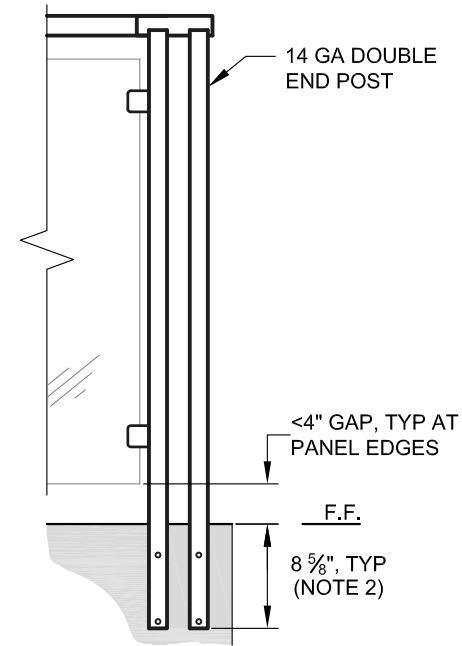
NOTES:

1. TOP RAIL NOT SHOWN FOR CLARITY.

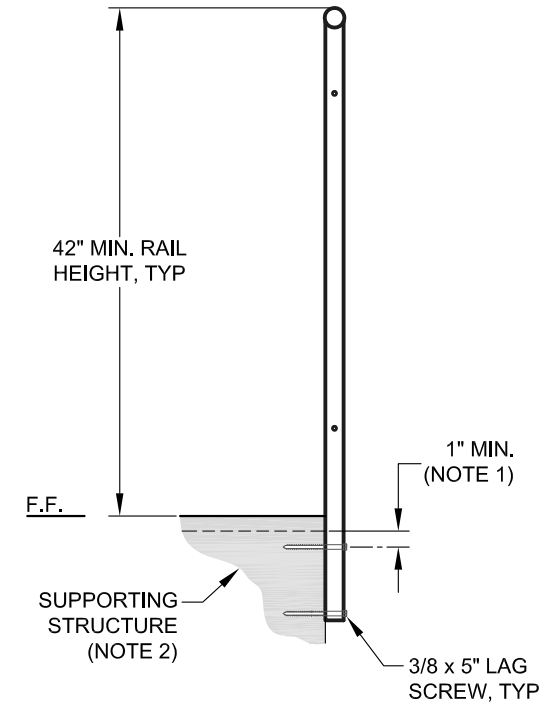


1 END POST - WALL CONNECTION ELEVATION
 SCALE: NONE

2 TYPICAL INTERMEDIATE POST ELEVATION
 SCALE: NONE



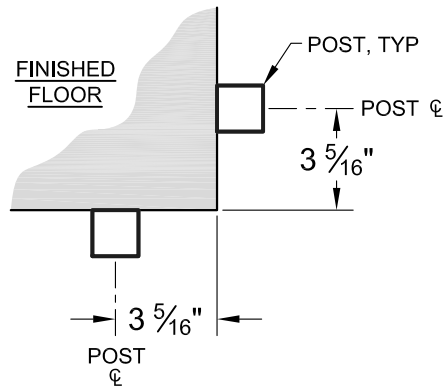
3 END POST - FREE STANDING ELEVATION
 SCALE: NONE



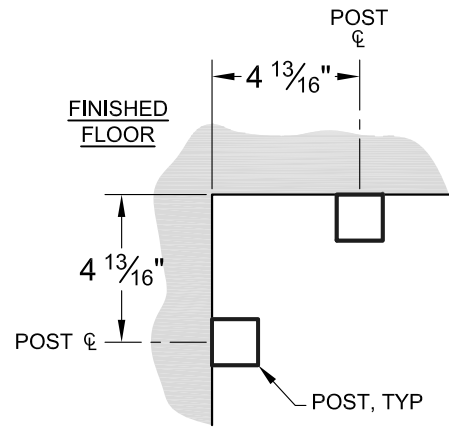
4 RAILING SECTION
 SCALE: NONE

NOTES:

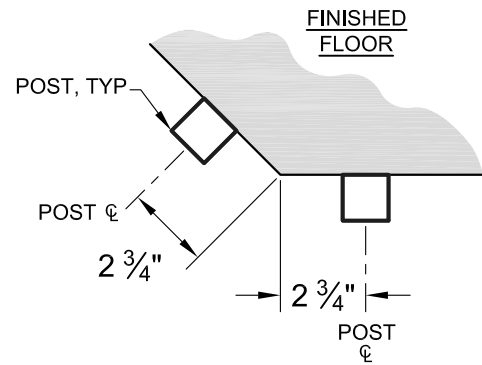
- 1" MINIMUM EDGE DISTANCE MEASURED FROM THE TOP OF THE MAIN SUPPORTING MEMBER (BEAM, JOIST, FASCIA, ETC.) TO THE CENTER OF THE FASTENER.
- DECK EDGE DETAILS CAN VARY GREATLY. IT IS THE RESPONSIBILITY OF THE CUSTOMER TO VERIFY THAT THE SUPPORTING STRUCTURE IS ADEQUATE TO MEET THE LOAD REQUIREMENTS OF THE GOVERNING BUILDING CODE(S). *AGS Stainless Inc.* RECOMMENDS CONSULTING A DESIGN OR CONSTRUCTION PROFESSIONAL TO ADDRESS THESE ISSUES.
- POSITIVE CONNECTION TO ADJACENT STRUCTURE IS REQUIRED.
- TOP RAIL CONNECTIONS ARE BONDED WITH HIGH-STRENGTH ADHESIVE TO ACHIEVE A HAIRLINE FIT UP.



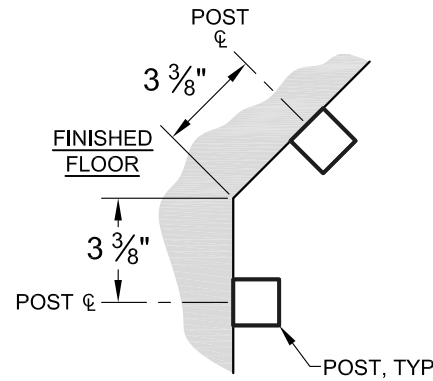
A OUTSIDE CORNER POST LAYOUT - 90°
SCALE: NONE



B INSIDE CORNER POST LAYOUT - 90°
SCALE: NONE



C OUTSIDE CORNER POST LAYOUT - 45°
SCALE: NONE

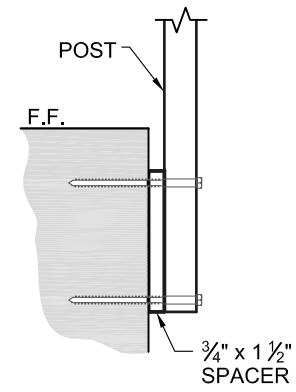


D INSIDE CORNER POST LAYOUT - 45°
SCALE: NONE

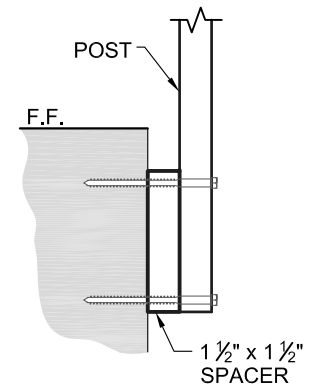
1 TYPICAL CORNER LAYOUT
SCALE: NONE

NOTE:

THE LAYOUTS SHOWN MAY VARY AS THE ANGLE CHANGES. MAKE SURE YOU CHOOSE A POST LAYOUT SO THAT TWO CLOSEST POINTS OF THE ADJACENT POSTS IS LESS THAN 4".



A 3/4" x 1 1/2" SPACER
SCALE: NONE



B 1 1/2" x 1 1/2" SPACER
SCALE: NONE

2 OPTIONAL SPACER DETAIL
SCALE: NONE