

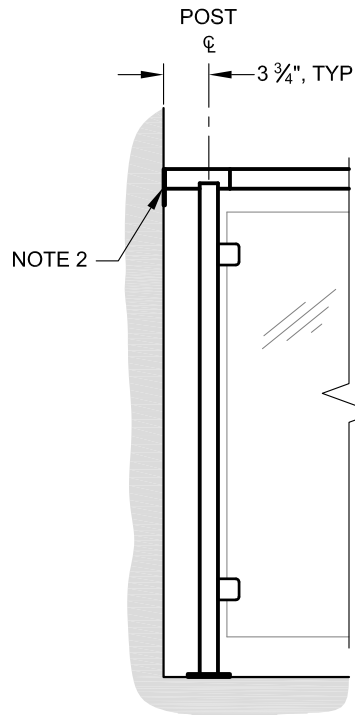
**1** EXAMPLE POST LAYOUT PLAN VIEW  
SCALE: NONE

**LEGEND**

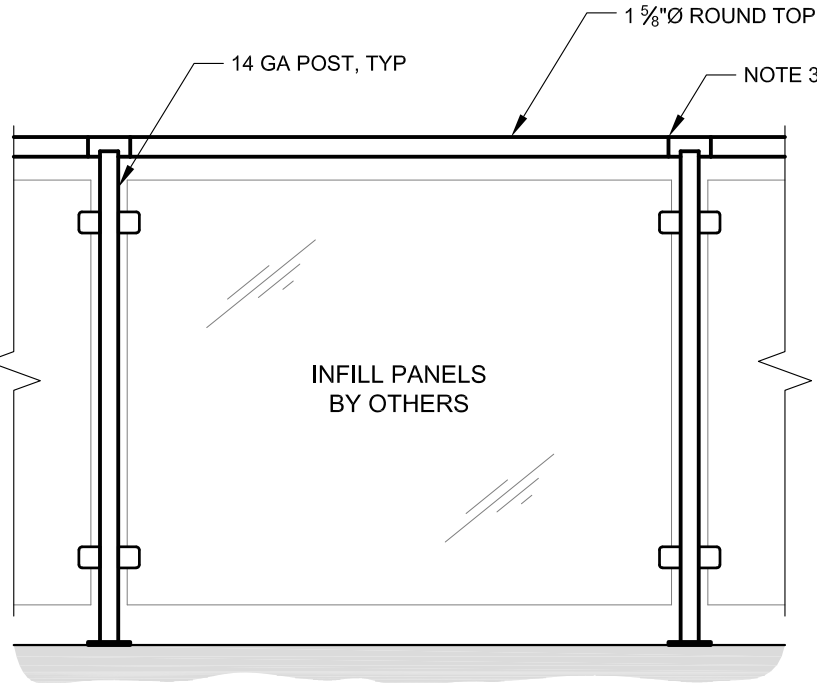
- DETAIL NUMBER
- SHEET NUMBER
- ELEVATION NUMBER
- SHEET NUMBER
- SECTION NUMBER
- SHEET NUMBER
- TOP MOUNT POST
- CENTERLINE
- FINISHED FLOOR
- TYPICAL CONDITION; APPLIES ELSEWHERE AT SIMILAR LOCATIONS

**NOTES:**

1. TOP RAIL NOT SHOWN FOR CLARITY.

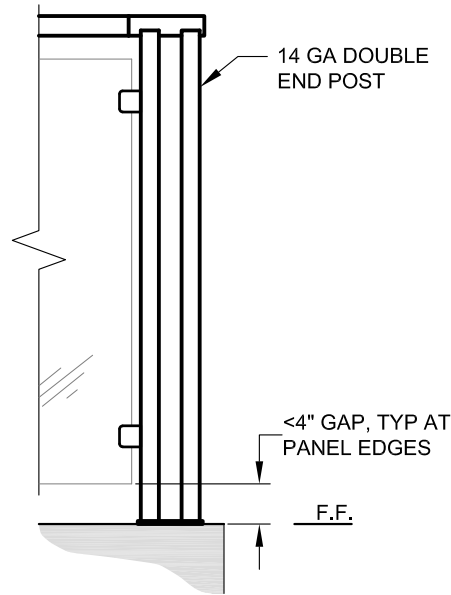


NOTE 2



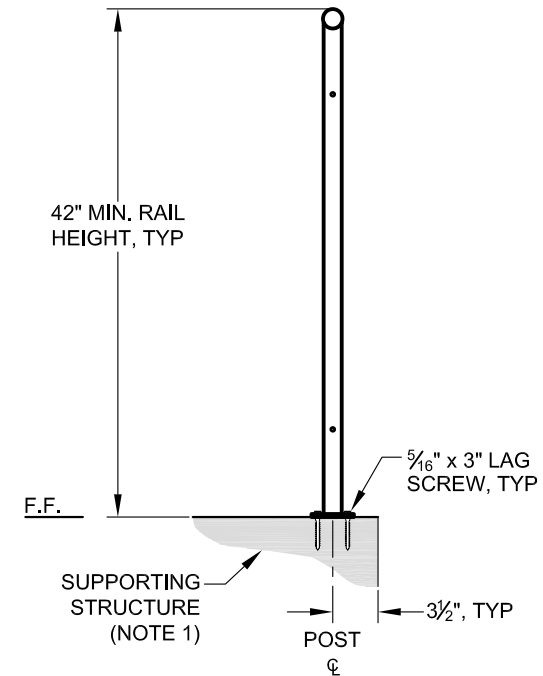
NOTE 3

INFILL PANELS  
BY OTHERS



<4" GAP, TYP AT  
PANEL EDGES

F.F.



42" MIN. RAIL  
HEIGHT, TYP

5/16" x 3" LAG  
SCREW, TYP

SUPPORTING  
STRUCTURE  
(NOTE 1)

POST  
3 1/2", TYP

**1** END POST - WALL CONNECTION  
ELEVATION  
SCALE: NONE

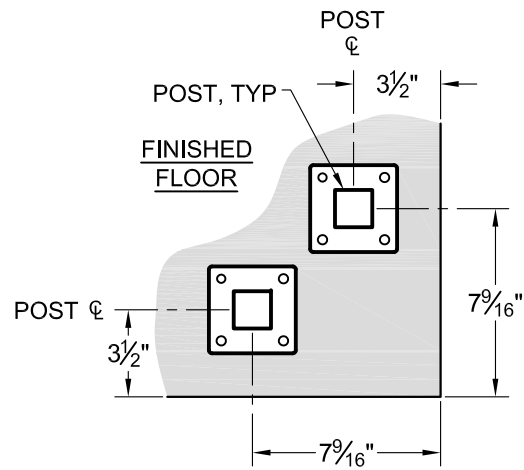
**2** TYPICAL INTERMEDIATE POST  
ELEVATION  
SCALE: NONE

**3** END POST - FREE STANDING  
ELEVATION  
SCALE: NONE

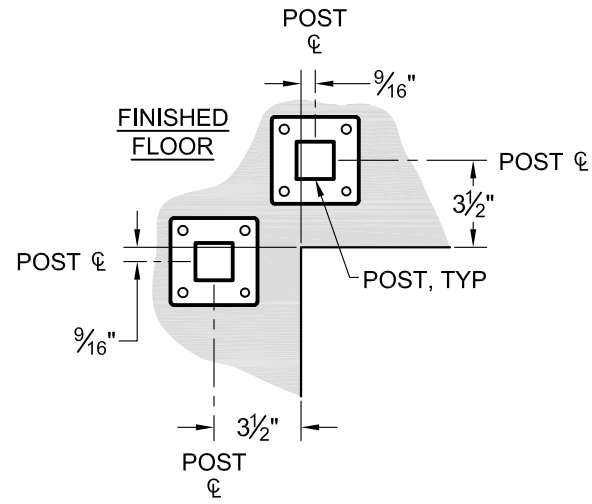
**4** RAILING SECTION  
SCALE: NONE

**NOTES:**

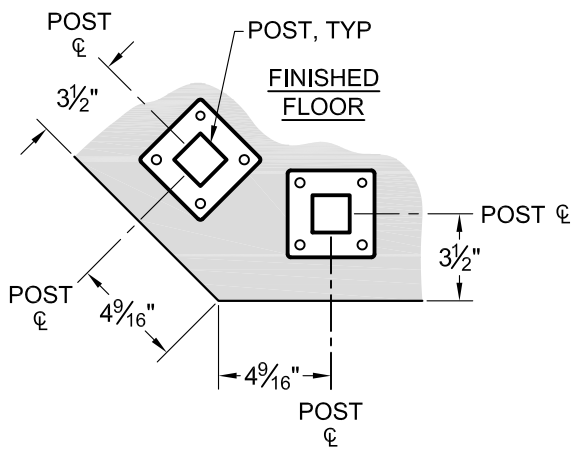
1. DECK STRUCTURE CAN VARY GREATLY. IT IS THE RESPONSIBILITY OF THE CUSTOMER TO VERIFY THAT THE SUPPORTING STRUCTURE IS ADEQUATE TO MEET THE LOAD REQUIREMENTS OF THE GOVERNING BUILDING CODE(S). *AGS Stainless Inc.* RECOMMENDS CONSULTING A DESIGN OR CONSTRUCTION PROFESSIONAL TO ADDRESS THESE ISSUES.
2. POSITIVE CONNECTION TO ADJACENT STRUCTURE IS REQUIRED.
3. TOP RAIL CONNECTIONS ARE BONDED WITH HIGH-STRENGTH ADHESIVE TO ACHIEVE A HAIRLINE FIT UP.



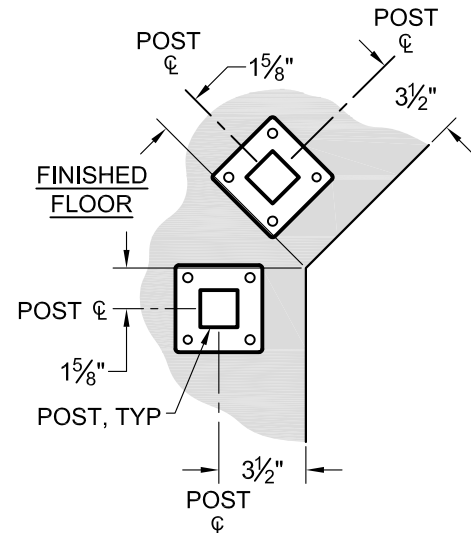
**A** OUTSIDE CORNER POST LAYOUT - 90°  
SCALE: NONE



**B** INSIDE CORNER POST LAYOUT - 90°  
SCALE: NONE



**C** OUTSIDE CORNER POST LAYOUT - 45°  
SCALE: NONE



**D** INSIDE CORNER POST LAYOUT - 45°  
SCALE: NONE

**1** TYPICAL CORNER LAYOUT  
SCALE: NONE

**NOTE:**

THE LAYOUTS SHOWN MAY VARY AS THE ANGLE CHANGES. MAKE SURE YOU CHOOSE A POST LAYOUT SO THAT TWO CLOSEST POINTS OF THE ADJACENT POSTS IS LESS THAN 4".