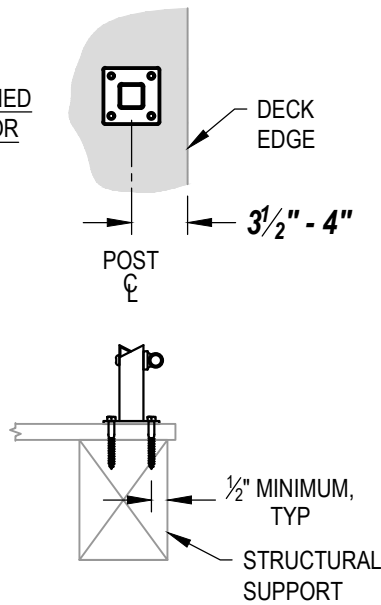
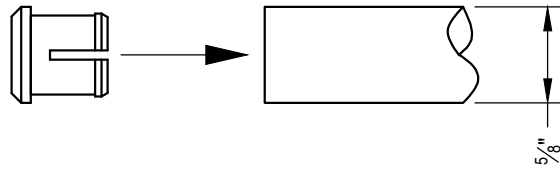


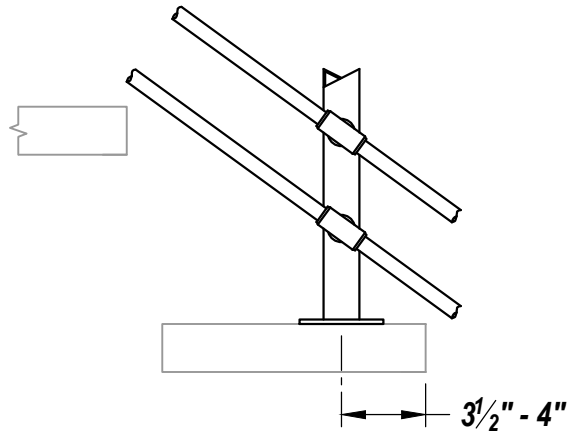
FINISHED FLOOR



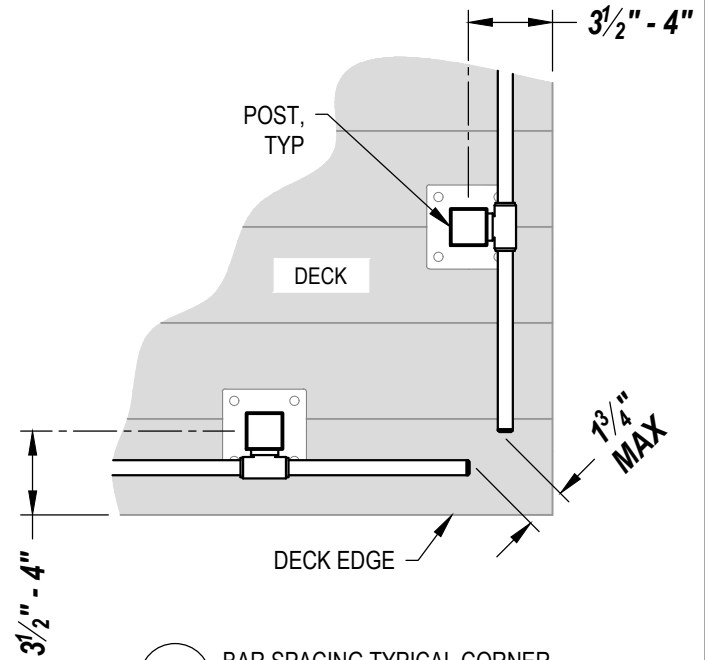
A POST LOCATION



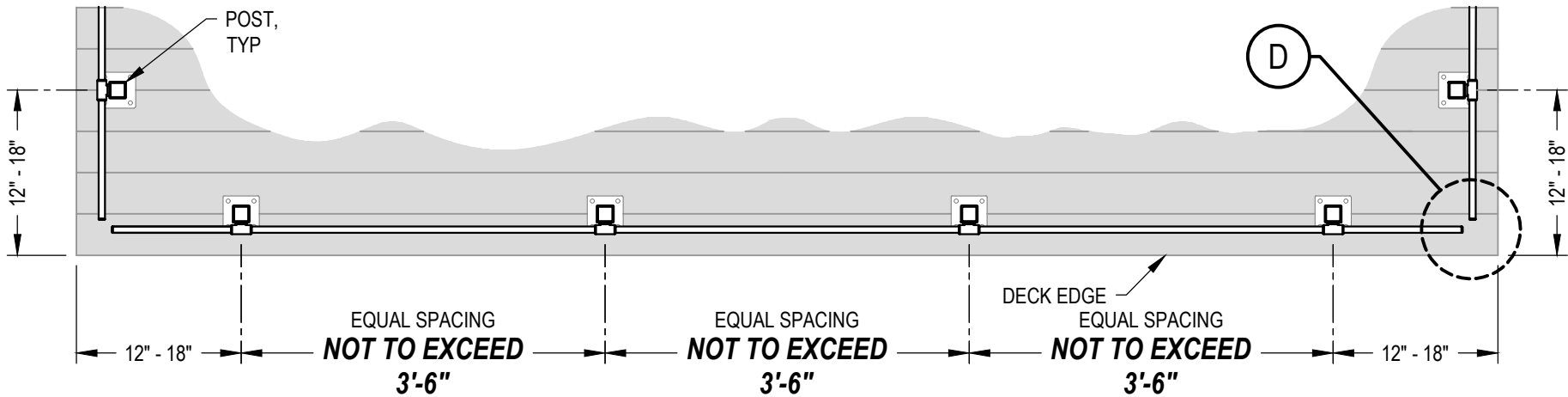
B END CAP INSERT



C POST LOCATION FOR STAIRS



D BAR SPACING TYPICAL CORNER



E TYPICAL LAYOUT

SHEET
1 of 1
SCALE NONE
DESIGNER GAA
DATE 11/08/2019

DRAWING FOR NEW SYSTEM

FABRICATION DRAWING

7873 NE DAY ROAD
BAINBRIDGE ISLAND, WA 98110
PHONE - (888) 842-9492
FAX - (206) 842-8179
WWW.AGSSTAINLESS.COM

AGS stainless
CLEARVIEW® Railing Systems